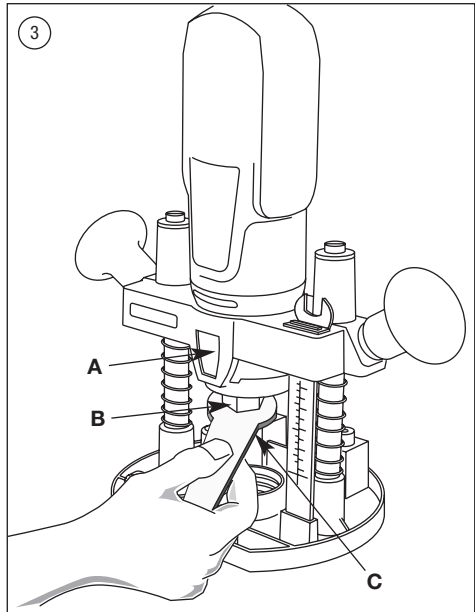
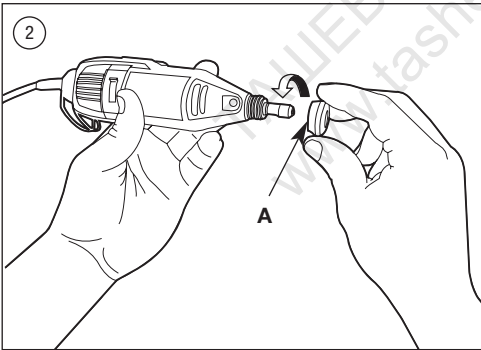
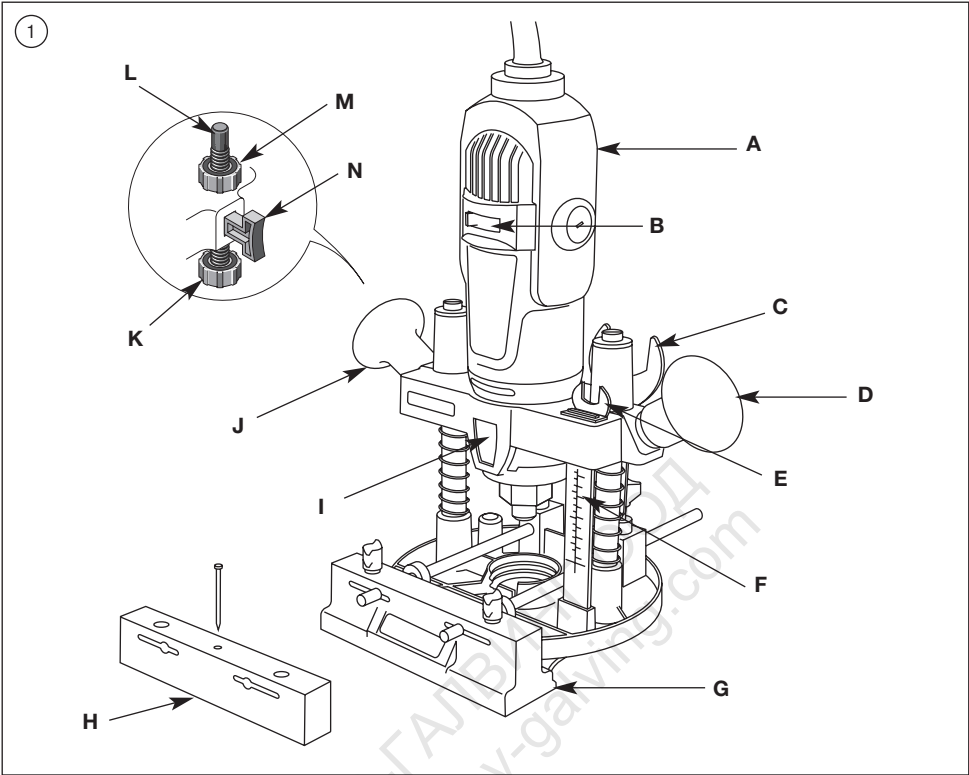


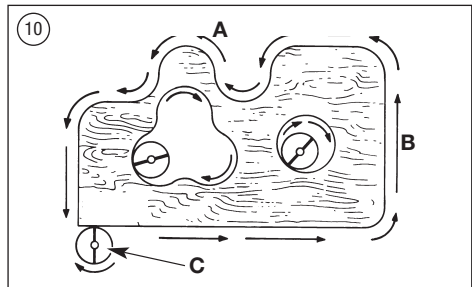
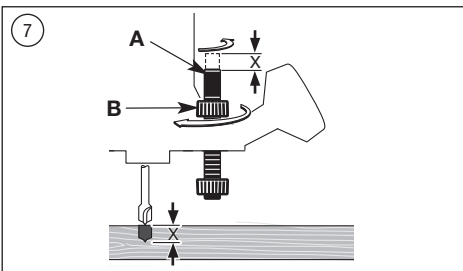
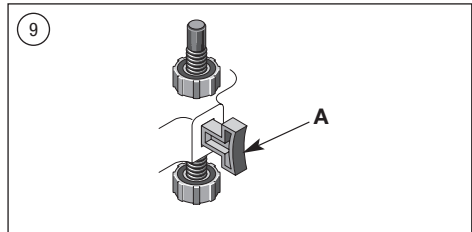
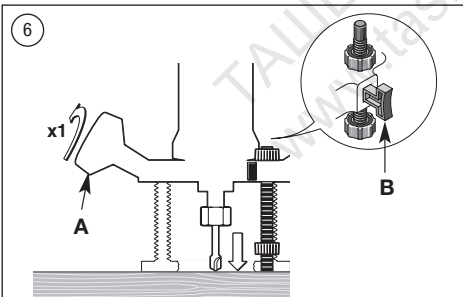
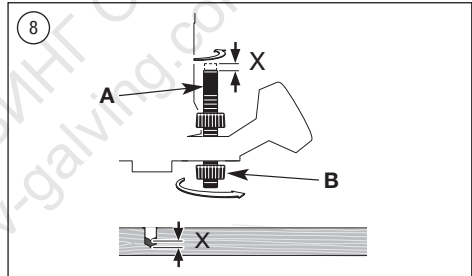
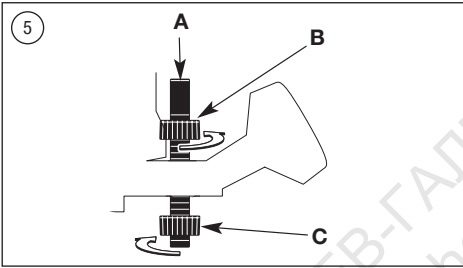
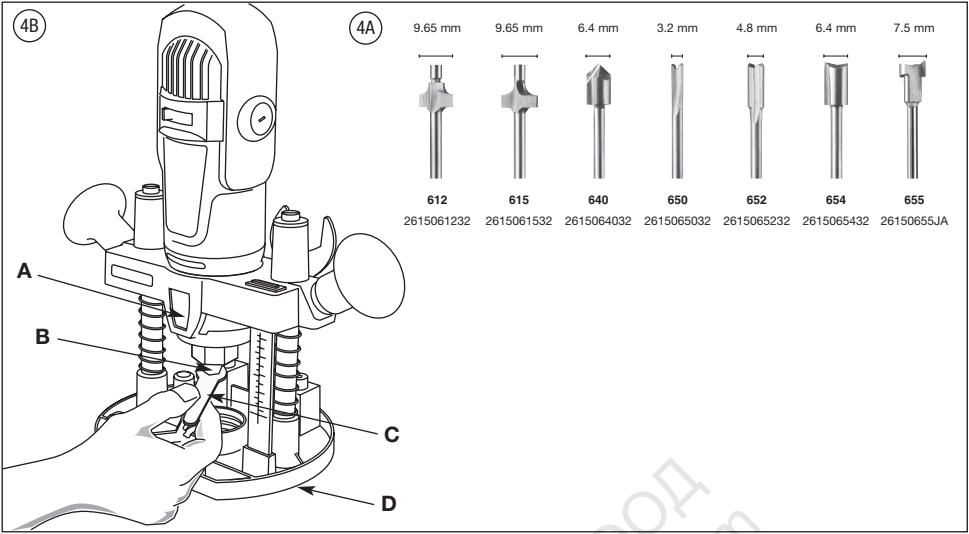
DREMEL® Model 335 Plunge Router Attachment

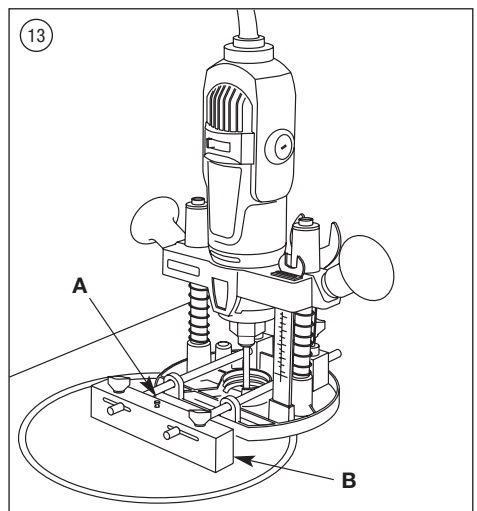
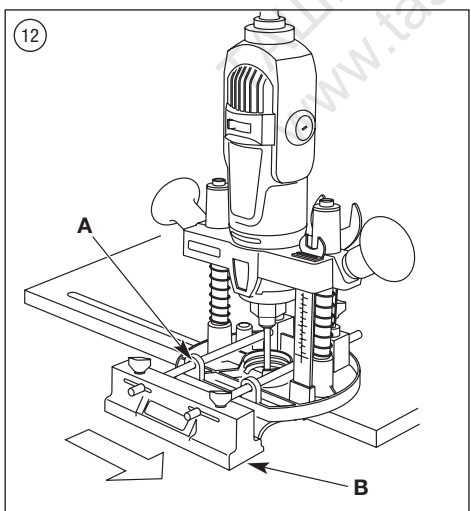
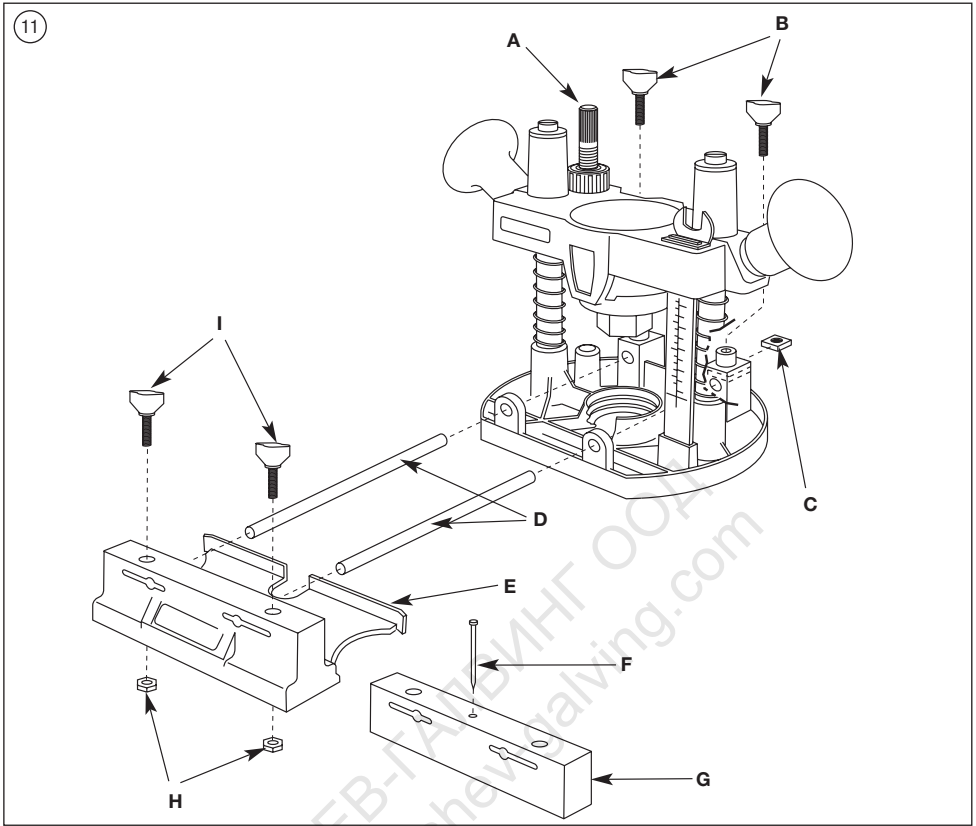


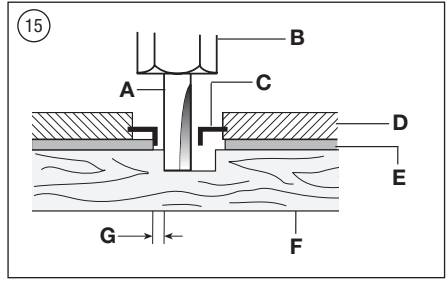
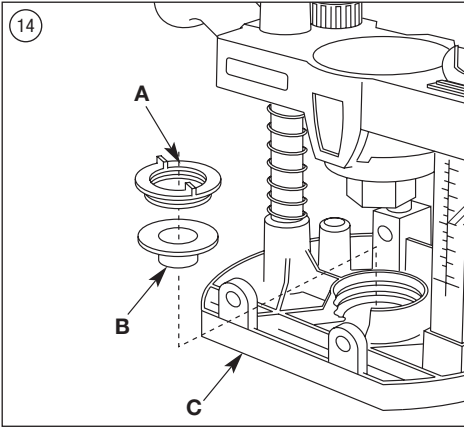
GB	Original instructions	6	CZ	Původním návodem k používání	62
D	Originalbetriebsanleitung	10	PL	Instrukcja obsługi	66
F	Notice originale	14	BG	Оригинално ръководство за експлоатация	71
I	Istruzioni originali	19	H	Eredeti használati utasítás	75
NL	Originele gebruiksaanwijzing	23	RO	Instrucțiuni de folosire originale	80
DK	Original brugsanvisning	28	RUS	Одлинник руководства по эксплуатации	84
S	Bruksanvisning i original	32	EST	Algupärane kasutusjuhend	89
N	Original driftsinstruks	36	LT	Originali instrukcija	93
FIN	Alkuperäiset käyttö-/turvallisuusohjeet	40	SLO	Izvirna navodila	97
E	Manual original	44	LV	Instrukcijām oriģinālvalodā	101
P	Manual original	49	HR	Originalne upute za rad	105
GR	Οδηγίες χρήσης	53	SRB	Оригинално упутство за рад	110
TR	Orijinal kullanım kılavuzu	58	SK	Pôvodný návod na použitie	114

**Dremel Europe
The Netherlands**









ТАШЕВ-ГАЛВИНГ ООД
www.tashev-galving.com

**WARNING****READ ALL INSTRUCTIONS.**

Failure to follow all instructions

listed below may result in electric shock, fire and/or

serious injury. The term "power tool" in all of the warnings listed below refers to your mains-operated (corded) power tool.

SAVE THESE INSTRUCTIONS**WORK AREA**

- Keep work area clean and well lit. *Cluttered and dark areas invite accidents.*
- Do not operate power tools in explosive atmospheres, such as in the presence of flammable liquids, gases or dust. *Power tools create sparks which may ignite the dust or fumes.*
- Keep children and bystanders away while operating a power tool. *Distractions can cause you to lose control.*

ELECTRICAL SAFETY

- Power tool plugs must match the outlet. Never modify the plug in any way. Do not use any adapter plugs with earthed (grounded) power tools. *Unmodified plugs and matching outlets will reduce risk of electric shock.*
- Avoid body contact with earthed or grounded surfaces such as pipes, radiators, ranges and refrigerators. *There is an increased risk of electric shock if your body is earthed or grounded.*
- Do not expose power tools to rain or wet conditions. *Water entering a power tool will increase the risk of electric shock.*
- Do not abuse the cord. Never use the cord for carrying, pulling or unplugging the power tool. Keep cord away from heat, oil, sharp edges or moving parts. *Damaged or entangled cords increase the risk of electric shock.*
- When operating a power tool outdoors, use an extension cord suitable for outdoor use. *Use of a cord suitable for outdoor use reduces the risk of electric shock.*
- If operating a power tool in a damp location is unavoidable, use an earth leakage circuit breaker. *Use of an earth leakage circuit breaker reduces the risk of electric shock.*

PERSONAL SAFETY

- Stay alert, watch what you are doing and use common sense when operating a power tool. Do not use a power tool while you are tired or under the influence of drugs, alcohol or medication. *A moment of inattention while operating power tools may result in serious personal injury.*



Use safety equipment. Always wear eye protection. *Safety equipment such as dust mask, non-skid safety shoes, hard hat, or hearing protection used for appropriate conditions will reduce personal injuries.*

- Avoid accidental starting. Ensure the switch is in the off position before plugging in. *Carrying power tools with your finger on the switch or plugging in power tools that have the switch on invites accidents.*
- Remove any adjusting key or wrench before switching the power tool on. *A wrench or a key left attached to a rotating part of the power tool may result in personal injury.*
- Do not overreach. *Keep proper footing and balance at all times. This enables better control of the power tool in unexpected situations.*
- Dress properly. *Do not wear loose clothing or jewellery. Keep your hair, clothing and gloves away from moving parts. Loose clothes, jewellery or long hair can be caught in moving parts.*

- If devices are provided for the connection of dust extraction and collection facilities, ensure these are connected and properly used. *Use of these devices can reduce dust related hazards.*
- Do not work materials containing asbestos** (asbestos is considered carcinogenic).
- Take protective measures when during work dust can develop that is harmful to one's health, combustible or explosive** (some dusts are considered carcinogenic); wear a dust mask and work with dust/ chip extraction when connectable.

POWER TOOL USE AND CARE

- Do not force the power tool. Use the correct power tool for your application. *The correct power tool will do the job better and safer at the rate for which it was designed.*
- Do not use the power tool if the switch does not switch it on and off. *Any power tool that cannot be controlled with the switch is dangerous and must be repaired.*
- Disconnect the plug from the power source before making any adjustments, changing accessories, or storing power tools. *Such preventive safety measures reduce the risk of starting the power tool accidentally.*
- Store idle power tools out of the reach of children and do not allow persons unfamiliar with the power tool or these instructions to operate the power tool. *Power tools are dangerous in the hands of untrained users.*
- Maintain power tools. Check for misalignment or binding of moving parts, breakage of parts and any other condition that may affect the power tools operation. If damaged, have the power tool repaired before use. *Many accidents are caused by poorly maintained power tools.*
- Keep cutting tools sharp and clean. *Properly maintained cutting tools with sharp cutting edges are less likely to bind and are easier to control.*
- Use the power tool, accessories and tool bits etc., in accordance with these instructions and in the manner intended for the particular type of power tool, taking into account the working conditions and the work to be performed. *Use of the power tool for operations different from those intended could result in a hazardous situation.*

SERVICE

- Have your power tool serviced by a qualified repair person using only identical replacement parts. *This will ensure that the safety of the power tool is maintained.*

SAFETY INSTRUCTIONS FOR ROUTERS**GENERAL**

- This tool should not be used by people under the age of 16 years.
- Always disconnect plug from power source before making any adjustment or changing any accessory.

ACCESSORIES

- Use only accessories with an allowable speed matching at least the highest no-load speed of the tool.
- Do not use damaged or deformed router bits.
- Only use sharp router bits.
- Protect accessories from impact, shock and grease.

BEFORE USE

- Avoid damage that can be caused by screws, nails and other elements in your workpiece; remove them before you start working.

- Always check that the supply voltage is the same as the voltage indicated on the nameplate of the tool (tools with a rating of 230V or 240V can also be connected to a 220V supply).
- Clamp the workpiece in case it does not remain stationary from its own weight.
- Dust from material such as paint containing lead, some wood species, minerals and metal may be harmful (contact with or inhalation of the dust may cause allergic reactions and/or respiratory diseases to the operator or bystanders); wear a dust mask and work with a dust extraction device when connectable.
- Follow the dust-related national requirements for the materials you want to work with.
- Be sure tool is switched off when plugging in.

DURING USE

- Always keep the cord away from moving parts of the tool; direct the cord to the rear, away from the tool.
- Never use the tool when cord or base-plate (=protective guard) is damaged; have it replaced by a qualified person.
- Keep hands and fingers away from router bit when tool is switched on.
- In case of electrical or mechanical malfunction, immediately switch off the tool and disconnect the plug.
- In case the router bit is blocked, resulting in jerking forces on the tool, immediately switch off the tool.
- In case of current interruption or when the plug is accidentally pulled out, immediately switch off the tool in order to prevent uncontrolled restarting.
- Do not apply so much pressure on the tool that it comes to a standstill.

ENVIRONMENT

DISPOSAL

The machine, accessories and packaging should be sorted for environmental-friendly recycling.

ONLY FOR EC COUNTRIES



Do not dispose of power tools into household waste! According to the European Guideline 2002/96/EC for Waste Electrical and Electronic Equipment and its implementation into national right, power tools that are no longer usable must be collected separately and disposed of in an environmentally correct manner.

APPLICATION ADVICE

- Use the appropriate router bits.
- For cuts parallel with the side of your workpiece use a rip fence.
- For making parallel cuts in a workpiece far from the edge:
 - fasten a straight piece of wood on the workpiece by means of 2 clamps;
 - guide tool with base-plate along edge of wood which now functions as a rip fence.
- Protect yourself against the effects of vibration by maintaining the tool and its accessories, keeping your hands warm, and organizing your work patterns.

OPERATING CONTROLS

See Figure 1:

- A Dremel Rotary Tool
- B Speed Control
- C Mounting Wrench & Storage Area
- D Hand Grip (turn to lock)

- E Collet Nut Wrench Storage Area (Wrench not included)
- F Depth Scale (English/Metric)
- G Edge Guide
- H Circle Guide
- I Shaft Lock Button
- J Hand Grip (stationary)
- K Adjustment Nut, Lower
- L Depth Stop
- M Adjustment Nut, Upper
- N Release Button

ASSEMBLY

ASSEMBLING PLUNGE ROUTER ATTACHMENT TO YOUR TOOL

ATTACHMENT FOR USE WITH DREMEL ROTARY TOOL MODELS 300, 395, 398, 400, 4000.

WARNING Disconnect the plug from the power source before making any assembly adjustments or changing accessories. Such preventive safety measures reduce the risk of starting the tool accidentally.

1. Remove collet nut, then remove housing cap from your rotary tool and set housing cap aside (Fig. 2). The housing cap must be reinstalled when this attachment is not used. Once housing cap has been removed, reassemble the collet nut.

See Figure 2:

- A Housing Cap
2. Place tool into your router attachment with the shaft lock button facing forward as shown (Fig. 3).
 3. Screw mounting nut clockwise onto the threaded portion of your Rotary Tool and securely tighten with the mounting wrench provided.

See Figure 3:

- A Shaft Lock Button
- B Mounting Nut
- C Mounting Wrench

OPERATING INSTRUCTIONS

ATTENTION: This attachment will convert Dremel Rotary Tool to a Plunge Router for freehand routing, edging, grooving, and circular cuts. The router attachment comes assembled ready for freehand or pilot bit routing.

Periodic cleaning and lubrication of guide posts will keep plunge action smooth. Depress and lock plunge router and evenly apply a light lubricant (i.e. petroleum jelly, cooking oil) to upper portion of guide posts.

WARNING This Router Attachment is not intended for use under a router or saw table.

Accessories specification

See Figure 4A.

INSERTING THE ROUTER BIT

The router bits are held in the tool by a collet system. **The bit may be installed before or after the rotary tool is installed in the attachment.**

1. Depress and hold the shaft lock button while rotating the collet nut and shaft. Continue to rotate the collet nut and shaft until the lock engages and holds the shaft (Fig. 4).

2. Use the wrench from your Dremel Rotary Tool and turn the collet nut counterclockwise to loosen it.
3. Release the shaft lock button.
4. Insert the router bit into the collet as deep as possible to ensure proper gripping of the bit and to minimize run out. Do not insert the bit so far that bit flutes touch the collet or collet nut to avoid chipping or cracking the bit.
NOTE: Never place the tool with bit protruding through base on top of bench or work surface. Lay the tool on its side or retract the bit before setting on bench or work surface. Protruding cutting bit may cause tool to jump.
5. Re-engage the shaft lock button and tighten the collet nut; first by hand, then using the wrench until bit is held securely.

See Figure 4B:

- A Shaft Lock Button
- B Collet Nut
- C Collet Nut Wrench
- D Base

ADJUSTING ROUTING DEPTH

NOTE: When making deep cuts, especially plunge cuts away from the edge of the work-piece, it is recommended to make several successive cuts progressively deeper using the depth adjustment and depth scale rather than making one single deep cut.

The depth limiter can be adjusted for two depths.

1. Place your Dremel Rotary Tool and Router assembly on the workpiece.
2. Turn the upper adjustment nut upward and turn the lower adjustment nut down-ward so depth stop is free to move (Fig. 5).

See Figure 5:

- A Depth-Stop
- B Upper Adjustment Nut
- C Lower Adjustment Nut

3. Loosen the locking hand grip (Fig. 6). Slowly lower the tool until the router bit just touches the workpiece.

See Figure 6:

- A Hand Grip
- B Release Button

4. Tighten the locking hand grip to lock the tool in place.
5. Press and hold the release button so depth stop touches the router base.

1st Routing Depth

6. Turn the depth stop upwards so that measurement X equals the first desired routing depth (Fig. 7).

NOTE: 1 turn equals .06" (1.5 mm)

See Figure 7:

- A Depth Stop
- B Upper Adjustment Nut

7. Turn the upper adjustment nut down snug against the router frame.

2nd Routing Depth

8. Turn the depth stop upwards so that measurement X equals the second desired routing depth. Make sure upper adjustment nut turns with the depth stop, so it rises away from router frame (Fig. 8).

See Figure 8:

- A Depth Stop
- B Lower Adjustment Nut

9. Turn the lower adjustment nut up snug against the router frame.

NOTE: The upper adjustment nut must remain stationary when tightening the lower adjustment nut.

10. Press the release button to select the 1st or 2nd routing depth (Fig. 9).

NOTE: The adjustment of each routing depth should be checked with a trial cut and re-adjusted as necessary.

See Figure 9:

- A Release button

When routing is complete, loosen the hand grip and return the router to the top position.

FEEDING THE ROUTER

If the router is hard to control, heats up, runs very slowly or leaves an imperfect cut, consider these causes:

- Wrong direction of feed – hard to control.
- Feeding too fast – overloads motor.
- Dull bit – overloads motor.
- Cut too large for one pass – overloads motor.
- Feeding too slow – leaves friction burns on the workpiece.

Feed smoothly and steadily (do not force). You will soon learn how the router sounds and feels when it is working best.

Rate Of Feed

When routing or doing related work in wood and plastics, the best finishes will result if the depth of cut and feed rate are regulated to keep the motor operating at high speed.

Feed the router at a moderate rate. Soft materials require a faster feed rate than hard materials.

The router may stall if improperly used or overloaded. Reduce the feed rate to prevent possible damage to the tool. Always be sure the collet nut is tightened securely before use. Always use router bits with the shortest cutting length necessary to produce the desired cut. This will minimize router bit runout and chatter.

Edge Forming

When edge forming, always use piloted or bearing bits. The lower portion of a pilot tipped bit is a shaft with no cutting edges. Bearing guide bits have a ball bearing to pilot the bit.

The pilot slides along the edge of the work as the rotating blades make the cut, making decorative edges. The edge on which the pilot slides should be perfectly smooth since any irregularities are transferred to the shaped surface.

When routing a workpiece that requires edge forming on the endgrain, always rout the endgrain edge before routing the edges that follow the grain. This minimizes the possibility of damage from any blowout at the end of the endgrain.

Router Feed Direction

The router spindle turns in a clockwise direction when viewed from above. For best control and quality of cut, feed the tool into the workpiece in the direction that the bit will tend to pull itself into the wood. Incorrect feed direction will cause the bit to try and climb over the wood.

Feed the tool in direction shown here. If cutting around the edge of a square piece, move the tool in a counterclockwise direction. If routing the inside surface as shown, move in a clockwise direction (Fig. 10).

NOTE: Feed direction is extremely important when using a pilot bit freehand on the edge of a workpiece.

See Figure 10:

- A Router Feed direction
- B Router End Grains First
- C Bit Rotation

ASSEMBLING THE EDGE GUIDE

For edge guide use, assemble guide rods into tool holder assembly and secure using (2) #10-24 square nuts and (2) guide rod knobs (Fig. 11).

Square nut will slide in slots above the guide rods. Guide rod knobs are assembled from the top through holes down through nuts, and against the rods. Fasten edge guide to guide rods using edge guide knobs, and hex head nuts.

Locate hex head nuts underneath edge guide and fasten with edge guide knob on top surface of edge guide. Slide edge guide assembly on guide rods as shown. Set edge guide at desired distance from cutter and tighten edge guide knobs. (See Fig. 11)

Edge guide is used for shaping edges, cutting rabbets, dados, mortise, tongues, grooves, slots, and chamfers. Remember to feed so the cutter tends to pull the edge guide against the wood. A consistent feed rate gives a smooth cut.

In general, several shallow cuts should be used when a deep groove is desired. Maximum depth of cut will vary depending on material used. Do not overfeed to an amount that the motor is noticeably slowed.

See Figure 11:

- A Depth Adjustment Screw
- B Guide Rod Knob
- C Square Nuts
- D Guide Rods
- E Edge Guide
- F Finishing Nail
- G Circle Guide
- H Hex Head Nuts
- I Edge Guide Knob

EDGE GUIDE

Installation

1. Install the edge guide to the plunge router mounting blocks (Fig. 12).

See Figure 12:

- A Mounting Blocks
- B Edge Guide

2. Place parallel guide against work surface with router bit in desired position.
3. Tighten thumbscrews.

Routing with Edge Guide

Slide the flattened side of the edge guide along the work surface.

CIRCLE GUIDE

Routing Arcs and Circles

1. Remove the edge guide and attach the circle guide bracket to the guide rods (Fig. 13).

See Figure 13:

- A Finishing Nail
- B Edge Guide

2. Use the finishing nail provided as a compass point. Set the circle guide for the desired radius.
3. Place the nail through the hole in the guide and place the nail at the center of the desired radius to be cut.

TEMPLATES

Using template patterns lets you duplicate designs or letters uniformly time after time. This technique requires the use of a guide bushing.

GUIDE BUSHINGS

The guide bushing shown in (Fig. 14), is essentially a plate with a collar which is inserted into the hole in base as shown, and secured by threading a bushing plug on top of the guide bushing. The guide bushing rides along the edge of the template while the router bit, protruding below, cuts into the work.

See Figure 14:

- A Bushing Plug
- B Guide Bushing
- C Base

ATTENTION: Be sure the thickness of the template is the same or larger than the length of bushing protruding below the base.

Do not use a bit that may touch the inside of the collar. Select a bit that is at least 2 mm less in diameter.

In addition, special templates are easily prepared for cutting repeated patterns, special designs, inlays, and other applications. A template pattern may be made of plywood, hardboard, metal or even plastic, and the design can be cut with a router, jigsaw, or other suitable cutting tool.

Remember that the pattern will have to be made to compensate for the distance between the router bit and the guide bushing (the "offset"), as the final workpiece will differ in size from the template pattern by that amount, due to the bit position (Fig. 15).

See Figure 15:

- A Router Bit
- B Collet Nut
- C Guide Bushing
- D Base
- E Template Pattern
- F Workpiece
- G Offset

FREEHAND ROUTING

Many effects are gained by using the router freehand with a small diameter bit. Usually the craftsman pencils the outline or script he desires onto the work and uses the pencil line as a guide.

SERVICE AND WARRANTY

This DREMEL product is guaranteed in accordance with statutory/country-specific regulations; damage due to normal wear and tear, overload or improper handling will be excluded from the guarantee.

In case of a complaint, send the tool *undismantled* together with proof of purchase to your dealer.

CONTACT DREMEL

For more information on the Dremel assortment, support and hotline, go to www.dremel.com

Dremel Europe, P.O. Box 3267, 4800 DG Breda, The Netherlands



⚠️ WARNUNG

SÄMTLICHE ANWEISUNGEN SIND ZU LESEN. Fehler bei der Einhaltung

der nachstehend aufgeführten Anweisungen können

elektrischen Schlag, Brand und/ oder schwere Verletzungen verursachen. Der nachfolgend verwendete Begriff "Elektrowerkzeug" bezieht sich auf netzbetriebene Elektrowerkzeuge (mit Netzkabel).

BEWAHREN SIE DIESE ANWEISUNGEN GUT AUF

ARBEITSPLATZ

- Halten Sie Ihren Arbeitsbereich sauber und aufgeräumt. Unordnung und unbeleuchtete Arbeitsbereiche können zu Unfällen führen.
- Arbeiten Sie mit dem Gerät nicht in explosionsgefährdeter Umgebung, in der sich brennbare Flüssigkeiten, Gase oder Stäube befinden. Elektrowerkzeuge erzeugen Funken, die den Staub oder die Dämpfe entzünden können.
- Halten Sie Kinder und andere Personen während der Benutzung des Elektrowerkzeugs fern. Bei Ablenkung können Sie die Kontrolle über das Gerät verlieren.

ELEKTRISCHE SICHERHEIT

- Der Anschlussstecker des Gerätes muss in die Steckdose passen. Der Stecker darf in keiner Weise verändert werden. Verwenden Sie keine Adapterstecker gemeinsam mit schutzgeerdeten Geräten. Unveränderte Stecker und passende Steckdosen verringern das Risiko eines elektrischen Schlages.
- Vermeiden Sie Körperkontakt mit geerdeten Oberflächen wie Rohren, Heizungen, Herden und Kühlschränken. Es besteht ein erhöhtes Risiko durch elektrischen Schlag, wenn Ihr Körper geerdet ist.
- Halten Sie das Gerät von Regen oder Nässe fern. Das Eindringen von Wasser in ein Elektrogerät erhöht das Risiko eines elektrischen Schlages.
- Zweckentfremden Sie das Kabel nicht, um das Gerät zu tragen, aufzuhängen oder um den Stecker aus der Steckdose zu ziehen. Halten Sie das Kabel fern von Hitze, Öl, scharfen Kanten oder sich bewegenden Geräteteilen. Beschädigte oder verwickelte Kabel erhöhen das Risiko eines elektrischen Schlages.
- Wenn Sie mit einem Elektrowerkzeug im Freien arbeiten, verwenden Sie nur Verlängerungskabel, die auch für den Außenbereich zugelassen sind. Die Anwendung eines für den Außenbereich geeigneten Verlängerungskabels verringert das Risiko eines elektrischen Schlages.
- Wenn der Betrieb des Elektrowerkzeuges in feuchter Umgebung nicht vermeidbar ist, verwenden Sie einen Fehlerstromschutzschalter. Der Einsatz eines Fehlerstromschutzschalters vermindert das Risiko eines elektrischen Schlages.

SICHERHEIT VON PERSONEN

- Seien Sie aufmerksam, achten Sie darauf, was Sie tun und gehen Sie mit Vernunft an die Arbeit mit einem Elektrowerkzeug. Benutzen Sie das Gerät nicht, wenn Sie müde sind oder unter dem Einfluss von Drogen, Alkohol oder Medikamenten stehen. Ein Moment der Unachtsamkeit bei dem Gebrauch des Gerätes kann zu ernsthaften Verletzungen führen.



Tragen Sie persönliche Schutzausrüstung und immer eine Schutzbrille. Das Tragen persönlicher Schutzausrüstung, wie Staubmaske, rutschfeste

Sicherheitsschuhe, Schutzhelm oder Gehörschutz, je nach Art und Einsatz des Elektrowerkzeuges, verringert das Risiko von Verletzungen.

- Vermeiden Sie eine unbeabsichtigte Inbetriebnahme. Vergewissern Sie sich, dass das Elektrowerkzeug ausgeschaltet ist, bevor Sie den Stecker in die Steckdose stecken. Wenn Sie beim Tragen des Gerätes den Finger am Schalter haben oder das Gerät eingeschaltet an die Stromversorgung anschließen, kann dies zu Unfällen führen.
- Entfernen Sie Einstellwerkzeuge oder Schraubenschlüssel, bevor Sie das Gerät einschalten. Ein Werkzeug oder Schlüssel, der sich in einem drehenden Geräteteil befindet, kann zu Verletzungen führen.
- Überschätzen Sie sich nicht. Sorgen Sie für einen sicheren Stand und halten Sie jederzeit das Gleichgewicht. Dadurch können Sie das Gerät in unerwarteten Situationen besser kontrollieren.
- Tragen Sie geeignete Kleidung. Tragen Sie keine weite Kleidung oder Schmuck. Halten Sie Haare, Kleidung und Handschuhe fern von sich bewegenden Teilen. Lockere Kleidung, Schmuck oder lange Haare können von sich bewegenden Teilen erfasst werden.
- Wenn Staubabsaug- und -auffangeinrichtungen vorhanden sein können, vergewissern Sie sich, dass diese angeschlossen sind und richtig verwendet werden. Das Verwenden dieser Einrichtungen verringert die Gefährdungen durch Staub.
- Bearbeiten Sie kein asbesthaltiges Material** (Asbest gilt als krebserregend).
- Trreffen Sie Schutzmaßnahmen, wenn beim Arbeiten gesundheitsschädliche, brennbare oder explosive Stäube entstehen können** (manche Stäube gelten als krebserregend); tragen Sie eine Staubschutzmaske und verwenden Sie, wenn anschließbar, eine Staub-/ Späneabsaugung.

SORGFÄLTIGER UMGANG MIT UND GEBRAUCH VON ELEKTROWERKZEUGEN

- Überlasten Sie das Gerät nicht. Verwenden Sie für Ihre Arbeit das dafür bestimmte Elektrowerkzeug. Mit dem passenden Elektrowerkzeug arbeiten Sie besser und sicherer im angegebenen Leistungsbereich.
- Benutzen Sie kein Elektrowerkzeug, dessen Schalter defekt ist. Ein Elektrowerkzeug, das sich nicht mehr ein- oder ausschalten lässt, ist gefährlich und muss repariert werden.
- Ziehen Sie den Stecker aus der Steckdose, bevor Sie Geräteeinstellungen vornehmen, Zubehörteile wechseln oder das Gerät weglegen. Diese Vorsichtsmaßnahme verhindert den unbeabsichtigten Start des Gerätes.
- Bewahren Sie Elektrowerkzeuge außerhalb der Reichweite von Kindern auf. Lassen Sie niemanden das Gerät benutzen, der mit diesem nicht vertraut ist oder diese Anweisungen nicht gelesen hat. Elektrowerkzeuge sind gefährlich, wenn sie von unerfahrenen Personen benutzt werden.
- Pflegen Sie das Gerät mit Sorgfalt. Kontrollieren Sie, ob bewegliche Geräteteile einwandfrei funktionieren und nicht klemmen, ob Teile gebrochen oder so beschädigt sind, dass die Funktion des Gerätes beeinträchtigt ist. Lassen Sie beschädigte Teile vor dem Einsatz des Gerätes reparieren. Viele Unfälle haben ihre Ursache in schlecht gewarteten Elektrowerkzeugen.
- Halten Sie Schneidwerkzeuge scharf und sauber. Sorgfältig gepflegte Schneidwerkzeuge mit scharfen Schneidkanten verklemmen sich weniger und sind leichter zu führen.
- Verwenden Sie Elektrowerkzeug, Zubehör, Einsatzwerkzeuge usw. entsprechend diesen Anweisungen und so, wie es für diesen speziellen Gerätetyp vorgeschrieben ist. Berücksichtigen Sie dabei die Arbeitsbedingungen und die auszuführende Tätigkeit. Der Gebrauch von Elektrowerkzeugen für andere als die vorgesehenen Anwendungen kann zu gefährlichen Situationen führen.

SERVICE

- a. Lassen Sie Ihr Gerät nur von qualifiziertem Fachpersonal und nur mit Original-Ersatzteilen reparieren. *Damit wird sichergestellt, dass die Sicherheit des Gerätes erhalten bleibt.*

SICHERHEITSHINWEISE FÜR OBERFRÄSEN

ALLGEMEINES

- Der Benutzer dieses Werkzeuges sollte älter als 16 Jahre sein.
- Ziehen Sie grundsätzlich den Netzstecker, bevor Sie beliebige Änderungen an den Einstellungen oder einen Zubehörwechsel vornehmen.

ZUBEHÖR

- Nur Zubehör verwenden, dessen zulässige Drehzahl mindestens so hoch ist wie die höchste Leerlaufdrehzahl des Werkzeuges.
- Keine rissige oder verformte Fräsköpfe benutzen.
- Nur scharfe Fräsköpfe benutzen.
- Zubehör schützen vor Stoß-, Schlag- und Fetteinwirkung.

VOR DER ANWENDUNG

- Beschädigungen durch Schrauben, Nägel und ähnliches an Ihrem Werkstück vermeiden; diese vor Arbeitsbeginn entfernen.
- Stets nachprüfen, daß die Netzspannung mit der auf dem Typenschild des Werkzeuges angegebenen Spannung übereinstimmt (mit 230V oder 240V beschriftete Werkzeuge können auch an 220V betrieben werden).
- Das Werkstück einspannen, falls es nicht aufgrund seines Eigengewichtes in der Ruhelage verharrt.
- Staub von Materialien wie Farbe, die Blei enthält, einigen Holzarten, Mineralien und Metall kann schädlich sein (Kontakt mit oder Einatmen des Staubs kann zu allergischen Reaktionen und/oder Atemwegskrankheiten beim Bediener oder Umstehenden führen); tragen Sie eine Staubmaske und arbeiten Sie mit einem Staubabsaugungssystem, wenn ein solches angeschlossen werden kann.
- Beachten Sie die für Ihr verwendetes Verbrauchsmaterial gültigen nationalen Staubschutzvorgaben.
- Beim Anschließen sicherstellen, daß das Werkzeug ausgeschaltet ist.

WÄHREND DER ANWENDUNG

- Das Kabel immer von umlaufenden Teilen des Werkzeuges fernhalten; das Kabel nach hinten vom Werkzeug weg führen.
- Werkzeug nicht weiter verwenden, wenn das Kabel oder die Bodenplatte (= Schutzvorrichtung) beschädigt ist; lassen Sie dieses von einem anerkannten Elektrofachmann ersetzen.
- Hände und Finger dürfen beim Einschalten des Werkzeuges nicht in der Nähe des Fräskopfes sein.
- Bei elektrischer oder mechanischer Fehlfunktion das Werkzeug sofort ausschalten und den Netzstecker ziehen.
- Falls der Fräskopf blockiert ist und dies zu ruckartigen Kräften am Werkzeug führt, das Werkzeug sofort ausschalten.
- Bei Unterbrechung der Stromversorgung oder versehentlichem Ziehen des Netzsteckers das Werkzeug sofort abschalten, um unkontrollierten Wiederanlauf zu verhindern.
- Nicht soviel Druck auf das Werkzeug ausüben, daß es zum Stillstand kommt.

UMGEBUNG

ENTSORGUNG

Elektrowerkzeuge, Zubehöre und Verpackungen sollen einer umweltgerechten Wiederverwertung zugeführt werden.

NUR FÜR EU-LÄNDER



Werfen Sie Elektrowerkzeuge nicht in den Hausmüll! Gemäß der Europäischen Richtlinie 2002/96/EG über Elektro- und Elektronik-Altgeräte und ihrer Umsetzung in nationales Recht müssen nicht mehr gebrauchsfähige Elektrowerkzeuge getrennt gesammelt und einer umweltgerechten Wiederverwertung zugeführt werden.

ANWENDUNGSHINWEISE

- Die entsprechenden Fräsköpfe verwenden.
- Verwenden Sie die Kantenführung für Schnitte, die parallel zur Kante Ihres Arbeitsstückes verlaufen.
- Für Parallelschnitte, die zu weit von der Kante Ihres Werkstückes entfernt sind:
 - ein massives Holzstück auf Ihrem Arbeitsstück mit 2 Schraubklemmen montieren;
 - das Werkzeug mit der Bodenplatte entlang der Kante des Holzstückes führen, das Ihnen jetzt als Seitenanschlag dient.
- Schützen Sie sich vor den Auswirkungen der Vibration durch Wartung des Werkzeuges und des Zubehörs, halten Sie Ihre Hände warm und organisieren Sie Ihren Arbeitsablauf.

BEDIENELEMENTE

Siehe Abbildung 1:

- A** Dremel Werkzeug
- B** Drehzahlkontrolle
- C** Montage-Schraubenschlüssel & Ablagebereich
- D** Handgriff (zum Verriegeln drehen)
- E** Spannmutter-Schraubenschlüssel Ablagebereich (Schraubenschlüssel nicht im Lieferumfang enthalten)
- F** Tiefenlehre (Englisch/Metrisch)
- G** Kantenführung
- H** Kreisführung
- I** Spindelarretierungsknopf
- J** Handgriff (stationär)
- K** Einstellungsmutter, Unten
- L** Tiefenstopp
- M** Einstellungsmutter, Oben
- N** Freigabeknopf

MONTAGE

ZUSAMMENBAU DES OBERFRÄSEN-VORSATZGERÄTS FÜR IHR WERKZEUG

VORSATZGERÄT FÜR DIE DREMEL MODELLE 300, 395, 398, 400, 4000.



WARNUNG

Ziehen Sie das Netzkabel von der Stromversorgung ab, bevor Sie irgendwelche Montagearbeiten oder Einstellungen vornehmen bzw. Zubehörtteile wechseln. Solche vorbeugenden Sicherheitsmaßnahmen verringern das Risiko eines versehentlichen Werkzeugstarts erheblich.

1. Nehmen Sie die Spannmutter und anschließend die Gehäusekappe von Ihrem Werkzeug ab und legen Sie die Gehäusekappe beiseite (Abb. 2). Die Gehäusekappe muss wieder angebracht werden, wenn dieses Vorsatzgerät nicht verwendet wird. Bringen Sie die Spannmutter nach dem Abnehmen der Gehäusekappe wieder an.

Siehe Abbildung 2:

- A** Gehäusekappe

- Platzieren Sie das Werkzeug im Oberfräsen-Vorsatzgerät, sodass die Spindelarretierung nach vorn zeigt (siehe Abb. 3).
- Schrauben Sie die Montagemutter im Uhrzeigersinn auf das Gewinde des Werkzeugs und ziehen Sie es mit dem mitgelieferten Schraubenschlüssel fest.

Siehe Abbildung 3:

- A Spindelarretierungsknopf
- B Montagemutter
- C Montage-Schraubenschlüssel

BEDIENUNGSANLEITUNGEN

ACHTUNG: Dieses Vorsatzgerät verwandelt Ihr Dremel Multifunktionswerkzeug in eine Frässtation, mit der Freihand-, Kanten-, Fugen und Kreisschnitte durchgeführt werden können. Das Oberfräsen-Vorsatzgerät ist bei Auslieferung zum Freihand- und Kopierfräsen fertig ausgestattet.

Durch regelmäßiges Reinigen und Abschmieren der Führungsstifte erzielen Sie ein weiches Eintauchen. Drücken Sie die Oberfräse nach unten und fixieren Sie sie in dieser Position, und tragen Sie ein leichtes Schmiermittel (z. B. Nähmaschinenöl) auf die Führungsstifte auf.

⚠️ WARNUNG Dieses Oberfräsen-Vorsatzgerät ist nicht zur Verwendung an einem Oberfräsen- oder Sägefräse vorgesehen.

Technische Daten

Siehe Abbildung 4A.

EINSETZEN DES FRÄSERS

Die Fräser werden im Werkzeug durch ein Spannzangensystem gehalten. **Das Bit kann eingesetzt werden, bevor oder nachdem das Werkzeug in dem Vorsatzgerät installiert wurde.**

- Halten Sie den Spindelarretierungsknopf gedrückt und drehen Sie die Spannzange und die Spindel. Drehen Sie die Spannmutter und die Spindel weiter, bis der Riegel einrastet und die Spindel hält (Abb. 4).
- Verwenden Sie den Schraubenschlüssel von Ihrem Dremel Multifunktionswerkzeug und drehen Sie die Spannmutter gegen den Uhrzeigersinn, um sie zu lösen.
- Lassen Sie den Spindelarretierungsknopf los.
- Setzen Sie den Fräser so tief wie möglich in die Spannzange ein, um sicherzustellen, dass der Fräser festgehalten wird und die Abnutzung so gering wie möglich ist. Setzen Sie den Fräser nicht so tief ein, dass die Fräser-Nuten die Spannzange oder die Spannmutter berühren; dies könnte dazu führen, dass der Fräser absichert oder bricht.
HINWEIS: Legen Sie das Werkzeug niemals so ab, dass der Fräser auf der Oberfläche der Werkbank bzw. Arbeitsplatte steht. Legen Sie das Werkzeug auf die Seite oder ziehen Sie den Fräser zurück, bevor Sie das Werkzeug auf der Werkbank bzw. der Arbeitsplatte ablegen.
- Lösen Sie den Spindelarretierungsknopf wieder und ziehen Sie die Spannmutter an, zunächst von Hand und dann mit dem Schraubenschlüssel, bis sie fest sitzt.

Siehe Abbildung 4B:

- A Spindelarretierungsknopf
- B Spannmutter
- C Spannmutter-Schraubenschlüssel
- D Basis

EINSTELLEN DER FRÄSTIEFE

HINWEIS: Bei tiefen Schnitten, insbesondere in größerer Entfernung von der Kante des Werkstücks, sollten Sie mit Hilfe der Tiefenlehre

sukzessive tiefere Schnitte ansetzen statt eines einzigen tiefen Schnitts.

Die Tiefenbegrenzung kann auf zwei verschiedene Tiefen eingestellt werden.

- Platzieren Sie Ihr Dremel Multifunktionswerkzeug und Ihren Oberfräsenversatz auf dem Werkstück.
- Drehen Sie die obere Einstellungsmutter nach oben und die untere nach unten, sodass der Tiefenstopp frei beweglich ist (Abb. 5).

Siehe Abbildung 5:

- A Tiefenstopp
- B Obere Einstellungsmutter
- C Untere Einstellungsmutter

- Lösen Sie den Verriegelungs-Handgriff (Abb. 6). Senken Sie das Werkzeug langsam ab, bis der Fräser das Werkstück gerade berührt.

Siehe Abbildung 6:

- A Verriegelungs-Handgriff
- B Freigabeknopf

- Ziehen Sie den Verriegelungs-Handgriff an, um das Werkzeug an seiner Position zu fixieren.
- Drücken Sie den Freigabeknopf und halten Sie diesen gedrückt, sodass der Tiefenstopp die Basis der Oberfräse berührt.

1. Frästiefe

- Drehen Sie den Tiefenstopp nach oben, sodass die Messung X der ersten gewünschten Frästiefe entspricht (Abb. 7).

HINWEIS: 1 Drehung entspricht 1,5 mm

Siehe Abbildung 7:

- A Tiefenstopp
- B Obere Einstellungsmutter

- Drehen Sie die obere Einstellungsmutter nach unten, sodass sie fest am Fräsrahmen anliegt.

2. Frästiefe

- Drehen Sie den Tiefenstopp nach oben, sodass die Messung X der zweiten gewünschten Frästiefe entspricht. Vergewissern Sie sich, dass sich die obere Einstellungsmutter mit dem Tiefenstopp dreht und sich damit vom Fräsrahmen abhebt (Abb. 8).

Siehe Abbildung 8:

- A Tiefenstopp
- B Untere Einstellungsmutter

- Drehen Sie die untere Einstellschraube nach oben, sodass sie fest am Fräsrahmen anliegt.

HINWEIS: Die obere Einstellungsmutter muss beim Einstellen der unteren Einstellungsmutter stationär bleiben.

- Drücken Sie den Freigabeknopf zum Auswählen der 1. oder 2. Frästiefe (Abb. 9).

HINWEIS: Die Einstellung der Frästiefen sollte mit Hilfe eines Testschnitts geprüft und ggf. angepasst werden.

Siehe Abbildung 9:

- A Freigabeknopf

Wenn der Fräsvorgang abgeschlossen ist, lösen Sie den Handgriff und bringen die Fräse wieder in die obere Position.

VORSCHUB DER OBERFRÄSE

Wenn die Oberfräse schwer zu kontrollieren ist, sich erhitzt, sehr langsam läuft oder einen ungleichmäßigen Schnitt hinterlässt, beachten Sie folgende mögliche Ursachen:

- Falsche Vorschubrichtung – schlechte Kontrolle.
- Zu schneller Vorschub – Motor überlastet.
- Stumpfer Fräser – Motor überlastet.
- Schnitt zu groß für einen Durchlauf – Motor überlastet.
- Zu langsamer Vorschub – Verbrennungsspuren am Werkstück.

Achten Sie auf einen glatten und gleichmäßigen Vorschub (ohne Kraftaufwand). Sie werden schnell lernen, wie die Fräse klingt und sich verhält, wenn sie optimal arbeitet.

Vorschubrate

Beim Fräsen oder ähnlichen Arbeiten in Holz oder Kunststoff erzielen Sie die besten Ergebnisse mit einer regulierten Schnitttiefe und Vorschubrate, weil dabei der Motor auf einer hohen Drehzahl gehalten wird. Sorgen Sie für eine angemessenen niedrige Vorschubrate. Weiche Materialien erfordern eine höhere Vorschubrate als harte Materialien. Bei einer unsachgemäßen Verwendung oder Überlastung kann die Fräse blockieren. Reduzieren Sie die Vorschubrate, um eine Beschädigung des Werkzeugs zu vermeiden. Vergewissern Sie sich vor der Verwendung stets, dass die Spannmutter fest angezogen ist. Verwenden Sie stets Fräser mit einer möglichst geringen Schnitttiefe für den gewünschten Schnitt. Sie vermeiden dadurch eine unnötige Abnutzung und einen ungleichmäßigen Lauf.

Kantenformung

Verwenden Sie beim Kantenformen immer Fräser mit Führungsspitze oder gelagerte Fräser. Der untere Bereich eines Fräser mit Führungsspitze ist eine Spindel ohne Schnittkanten. Gelagerte Fräser haben ein Kugellager zur Führung des Fräsers.

Die Führung gleitet entlang der Kante des Werkstücks, während die drehenden Klingen den Schnitt ausführen; dieses ergibt dekorative Kanten. Die Kante, an der die Führung entlang gleitet, sollte vollkommen glatt sein, da sich jede Unregelmäßigkeit auf die geformte Fläche überträgt.

Beim Arbeiten mit einem Werkstück, das eine Kantenformung an der Endkörnung erfordert, verwenden Sie die Endkörnungskante vor dem Fräsen der Kanten im Anschluss an die Kante. Dadurch wird das Risiko einer Beschädigung durch ein Ausscheren am Ende der Endkörnung minimiert.

Fräs-Vorschubrichtung

Die Fräs-Spindel dreht – von oben gesehen – im Uhrzeigersinn. Für eine optimale Kontrolle und Schnittqualität führen Sie das Werkzeug so zum Werkstück hin, dass der Fräser sich in das Holz hinein frisst. Eine falsche Vorschubrichtung führt dazu, dass der Fräser über das Holz hinweg "klettert".

Führen Sie das Werkzeug in der hier gezeigten Richtung zu.

Beim Schneiden entlang der Kante eines quadratischen Stücks bewegen Sie das Werkzeug gegen den Uhrzeigersinn. Beim Fräsen an der Innenseite, wie in der Abbildung gezeigt, bewegen Sie die Fräseinrichtung im Uhrzeigersinn (Abb. 10).

HINWEIS: Die Vorschubrichtung ist extrem wichtig bei der Freihand-Verwendung von Fräsern mit Führungsspitze.

Siehe Abbildung 10:

- A Fräs-Vorschubrichtung
- B Fräsen gegen die Faserung zuerst
- C Fräser-Drehung

ZUSAMMENBAU DER KANTENFÜHRUNG

Setzen Sie bei Verwendung einer Kantenführung die Führungsstangen in die Werkzeughalterung ein und sichern Sie sie mit den beiden quadratischen Muttern und zwei Führungsstangen-Drehknöpfen (Abb. 11).

Die quadratischen Muttern werden in die Schlitz über den Führungsstangen eingeführt. Die Führungsstangen-Drehknöpfe werden von oben und durch die Öffnungen der Muttern eingedreht und befestigen so die Führungsstangen. Befestigen Sie die Kantenführung an den Führungsstangen mit den großen Drehknöpfen und den Hex-Kopf-Schrauben.

Befestigen Sie die Hex-Kopf-Schrauben unter der Kantenführung und die übrigen beiden Drehknöpfe auf der oberen Fläche der Kantenführung. Schieben Sie die Kantenführungseinheit auf die Führungsstangen, wie in der Abbildung gezeigt. Setzen Sie die Kantenführung auf den gewünschten Abstand von der Schneideinrichtung und ziehen Sie die beiden Drehknöpfe an. (Siehe Abb. 11)

Die Kantenführung wird zum Formen von Kanten, zum Zuschneiden von Anschlägen, Sockeln, Schlitzten, Zapfen, Nuten und Verrundungen verwendet. Achten Sie auch hier auf die Vorschubrichtung – der Fräser sollte die Kantenführung zum Holz hin ziehen. Ein gleichmäßiger Vorschub sorgt für eine glatte Schnittkante.

Im Allgemeinen ist es ratsam, für eine tiefe Nut mehrere flache Schnitte durchzuführen. Die maximale Schnitttiefe hängt von dem verwendeten Material ab. Die Materialabnahme sollte nie so hoch sein, dass der Motor seine Drehzahl spürbar verlangsamt.

Siehe Abbildung 11:

- A Schraube für Tiefeinstellung
- B Drehknopf für Führungsstange
- C Quadratische Muttern
- D Führungsstangen
- E Kantenführung
- F Abschlussstift
- G Kreisführung
- H Hex-Kopf-Schrauben
- I Drehknopf für Kantenführung

KANTENFÜHRUNG

Installation

1. Installieren Sie die Kantenführung an den Montageblöcken der Fräseinrichtung (Abb. 12).

Siehe Abbildung 12:

- A Montageblöcke
- B Kantenführung

2. Platzieren Sie die parallele Führung gegen die Arbeitsfläche mit dem Fräser an der gewünschten Position.
3. Ziehen Sie die Drehknöpfe an.

Fräsen mit der Kantenführung

Schieben Sie die abgeflachte Seite der Kantenführung entlang der Arbeitsfläche.

KREISFÜHRUNG

Bögen und Kreisfräsen

1. Nehmen Sie die Kantenführung ab und bringen Sie die Kreisführung an den Führungsstangen an (Abb. 13).

Siehe Abbildung 13:

- A Abschlussstift
- B Kantenführung

2. Verwenden Sie den Abschlussstift als Kompasspunkt. Stellen Sie die Kreisführung auf den gewünschten Radius ein.
3. Stecken Sie den Stift durch die Öffnung in der Führung und platzieren Sie ihn in der Mitte des gewünschten Schnittradius.

Mit Hilfe von Schablonenmustern können Sie Entwürfe oder Buchstaben beliebig oft exakt wiederholen. Diese Technik erfordert die Verwendung von Führungsbuchsen.

FÜHRUNGSBUCHSEN

Die in Abb. 14 dargestellte Führungsbuchse ist im Wesentlichen eine Platte mit einem Kragen, die wie gezeigt in die Öffnung der Grundplatte eingeführt und durch Einschrauben einer Führungsklemme gesichert wird. Die Führungsbuchse läuft entlang der Schablonenkante, während der Fräser nach unten hervorsteht und in das Werkstück schneidet.

Siehe Abbildung 14:

- A Führungsklemme
- B Führungsbuchse
- C Grundplatte

ACHTUNG: Vergewissern Sie sich, dass die Stärke der Schablone gleich oder größer ist als die Länge der Buchse, die unten über die Grundplatte hinaus übersteht.

Verwenden Sie keinen Fräser, der die Innenseite der Buchse berühren könnte. Wählen Sie einen Fräser, dessen Durchmesser mindestens 2 mm kleiner ist.

Darüber hinaus können Schablonen problemlos zum Schneiden sich wiederholender Muster, spezieller Entwürfe und anderer Anwendungen vorbereitet werden. Ein Schablonenmuster kann aus Sperrholz, Hartfaserplatten, Metall und sogar aus Kunststoff hergestellt werden, und lässt sich mit einer Fräse, einer Stichsäge oder einem anderen geeigneten Schneidwerkzeug bearbeiten.

Bedenken Sie, dass die Schablone den Abstand zwischen dem Fräser und der Führungsbuchse (den "Versatz") kompensieren muss, da sich die Größe des endgültigen Werkstücks wegen der Fräser-Position um diesen Betrag von der Schablone unterscheidet (Abb. 15).

Siehe Abbildung 15:

- A Fräser
- B Spannmutter
- C Führungsbuchse
- D Grundplatte
- E Schablonenmuster
- F Werkstück
- G Versatz

FREIHAND-FRÄSEN

Zahlreiche Effekte können durch Freihand-Einsatz der Oberfräse mit einem Fräser mit kleinem Durchmesser erzielt werden. Normalerweise zeichnet der Künstler den Umriss oder den Schriftzug mit einem Bleistift auf das Werkstück und verwendet diese Markierung als Führung.

SERVICE UND GEWÄHRLEISTUNG

Die Garantie für dieses DREMEL Produkt entspricht den länderspezifischen Vorschriften. Schäden durch normale Abnutzung und Verschleiß sowie Überlastung oder unsachgemäße Behandlung sind von der Garantie ausgeschlossen.

Im Fall einer Reklamation schicken Sie das Werkzeug *komplett* mit einem entsprechenden Kaufnachweis an Ihren Händler.

DREMEL KONTAKTINFORMATIONEN

Weitere Informationen über Dremel finden Sie unter www.dremel.com.

Dremel Europe, P.O. Box 3267, NL-4800 DG Breda, Die Niederlande



ATTENTION

LISEZ TOUTES LES CONSIGNES.

Le non-respect des consignes ci-après peut entraîner un choc électrique, un incendie et/ou des blessures corporelles graves. Le terme "outil électroportatif" mentionné dans tous les avertissements ci-après fait référence à votre outil électroportatif raccordé au secteur.

CONSERVEZ CES CONSIGNES


ZONE DE TRAVAIL

- a. Faites en sorte que la zone de travail soit propre et bien éclairée. *Un espace encombré et sombre est propice aux accidents.*
- b. Ne faites pas fonctionner des outils électroportatifs dans les atmosphères explosives, notamment en présence de liquides, gaz ou poussières inflammables. *Les outils électroportatifs produisent des étincelles susceptibles d'enflammer les poussières ou fumées.*
- c. Tenez les enfants et spectateurs à distance pendant le fonctionnement d'un outil électroportatif. *Toute distraction peut entraîner une perte de contrôle de l'outil.*

SECURITE ELECTRIQUE

- a. La fiche de l'outil électroportatif doit être appropriée à la prise de courant. Ne modifiez en aucune circonstance la fiche. N'employez pas d'adaptateur avec les outils électroportatifs mis à la terre. *L'utilisation de fiches non modifiées et de prises appropriées réduira le risque de choc électrique.*
- b. Evitez tout contact corporel avec des éléments reliés à la terre, tels que tuyauterie, radiateurs, cuisinières, réfrigérateurs. *La mise à la terre du corps accroît le risque de choc électrique.*
- c. Conservez les outils électroportatifs à l'abri de la pluie et de l'humidité. *La pénétration d'eau dans un outil électroportatif accroît le risque de choc électrique.*
- d. N'exercez aucune action dommageable sur le cordon d'alimentation. N'utilisez jamais le cordon d'alimentation pour transporter l'outil électroportatif, tirer sur celui-ci ou le débrancher. Eloignez le cordon d'alimentation de la chaleur, des huiles, des arêtes vives ou des pièces en mouvement. *Les cordons endommagés ou emmêlés accroissent le risque de choc électrique.*
- e. Lors de l'utilisation d'un outil électroportatif à l'extérieur, employez une rallonge appropriée. *L'utilisation d'un cordon conçu pour l'extérieur réduit le risque de choc électrique.*
- f. Si l'usage d'un outil dans un emplacement humide est inévitable, utilisez un disjoncteur de fuite à la terre. *L'utilisation d'un disjoncteur de fuite à la terre réduit le risque de choc électrique.*

SECURITE PERSONNELLE

- a. Restez vigilant, soyez attentif à ce que vous faites et faites preuve de bon sens lorsque vous utilisez un outil électroportatif. Ne vous servez pas de ce type d'outil lorsque vous êtes fatigué ou sous l'emprise d'une drogue quelconque, de l'alcool ou d'un médicament. *Un instant d'inattention risque, dans ce cas, d'entraîner des blessures corporelles graves.*
- b.  Utilisez des équipements de protection. Portez toujours un équipement de protection oculaire. *Les équipements de protection tels que masque anti-poussière, chaussures de sécurité antidérapantes, casque ou protection auditive employés dans les cas appropriés réduiront les blessures corporelles.*
- c. Evitez tout démarrage accidentel. Assurez-vous que l'interrupteur est en position Arrêt avant de brancher la fiche. *Le fait de transporter les outils électroportatifs en ayant le doigt sur*

INSTRUCTIONS DE SECURITE POUR DEFONCEUSES

GENERALITES

- l'interrupteur ou de brancher des outils avec l'interrupteur sur la position Marche constitue une situation propice aux accidents.*
- d. Retirez toute clé de réglage avant de mettre l'outil sous tension. *Une clé laissée au contact d'un élément en rotation de l'outil électroportatif peut entraîner des blessures corporelles.*
- e. Ne travaillez pas dans une position instable. *Conservez à tout moment un bon appui et un bon équilibre du corps. Vous serez ainsi plus en mesure de garder le contrôle de l'outil électroportatif dans les situations imprévues.*
- f. Ayez une tenue appropriée. *Ne portez pas de vêtements amples ni de bijoux. N'approchez jamais les cheveux, vêtements et gants de pièces en mouvement. Des vêtements amples, bijoux ou cheveux longs peuvent être happés par des pièces en mouvement.*
- g. En présence de dispositifs pour l'aspiration et la collecte des poussières, vérifiez que ceux-ci sont branchés et correctement employés. *L'utilisation de ces appareils peut réduire les risques liés à la poussière.*
- h. **Ne pas travailler de matériaux contenant de l'amiante** (l'amiante est considérée comme étant cancérigène).
- i. **Prenez des mesures de sécurité, lorsque des poussières nuisibles à la santé, inflammables ou explosives peuvent être générées lors du travail** (certaines poussières sont considérées comme étant cancérigènes); portez un masque anti-poussières et utilisez un dispositif d'aspiration de poussières/de copeaux s'il est possible de raccorder un tel dispositif.

PRECAUTIONS D'UTILISATION DE L'OUTIL ELECTROPORTATIF

- a. Ne forcez pas sur l'outil électroportatif. Employez l'outil correspondant à votre application. *L'outil électroportatif approprié accomplira sa tâche plus efficacement et plus sûrement s'il est utilisé à la vitesse pour laquelle il a été conçu.*
- b. N'utilisez pas l'outil électroportatif si l'interrupteur ne fonctionne pas correctement. *Un outil dont l'interrupteur est défectueux est dangereux et doit être réparé.*
- c. Débranchez l'outil de la prise électrique murale avant d'effectuer un réglage, de changer d'accessoire ou de ranger l'outil. *Ces précautions réduisent le risque d'un démarrage accidentel de l'outil.*
- d. Les outils électroportatifs doivent être rangés hors de portée des enfants et ne pas être utilisés par des personnes ne connaissant pas leur fonctionnement ou les présentes instructions. *Entre les mains d'utilisateurs inexpérimentés, les outils électroportatifs sont dangereux.*
- e. Entretenez les outils électroportatifs. Vérifiez la présence d'un défaut d'alignement ou grippage des pièces mobiles, de pièces cassées ou de toute autre condition pouvant altérer le fonctionnement des outils électroportatifs. Faites réparer un outil électroportatif endommagé avant de l'utiliser. *Nombre d'accidents sont provoqués par des outils électroportatifs mal entretenus.*
- f. Les outils de coupe doivent être affûtés et propres. *S'ils sont bien entretenus, les outils avec des arêtes de coupe affûtées sont moins susceptibles d'accrocher et sont plus faciles à contrôler.*
- g. Utilisez l'outil électroportatif, ses accessoires et embouts, etc. conformément aux présentes instructions et de la manière prévue, en particulier en tenant compte des conditions de travail et de la nature du travail à réaliser. *L'utilisation de l'outil électroportatif pour d'autres applications que celles prévues présente un risque.*

REPARATION

- a. Confiez la réparation de votre outil électroportatif à un réparateur qualifié qui utilise exclusivement des pièces de rechange identiques. *Vous garantirez ainsi la fiabilité de l'outil électroportatif.*

- Cet outil ne doit pas être utilisé par des personnes de moins de 16 ans.
- Débranchez toujours l'outil avant tout réglage ou changement d'accessoire.

ACCESSOIRES

- La vitesse admissible des accessoires utilisées doit être au moins aussi élevée que la vitesse à vide maximale de l'outil.
- Ne jamais utilisez des fraises endommagées ou déformées.
- N'utilisez que des fraises bien affûtées.
- Protégez les accessoires contre les impacts, les chocs et la graisse.

AVANT L'USAGE

- Faites attention aux vis, clous ou autres éléments qui pourraient se trouver dans la pièce à travailler et qui risqueraient d'endommager très fortement votre outil; enlevez-les avant de commencer le travail.
- Contrôlez toujours si la tension secteur correspond à la tension indiquée sur la plaquette signalétique de l'outil (les outils conçus pour une tension de 230V ou 240V peuvent également être branchés sur 220V).
- Serrez la pièce dans le cas où elle ne resterait pas stationnaire de par son propre poids.
- La poussière de matériaux, tels que la peinture contenant du plomb, certaines espèces de bois, certains minéraux et différents métaux, peut être nocive (le contact avec la poussière ou son inhalation peut provoquer des réactions allergiques et/ou des maladies respiratoires chez l'opérateur ou des personnes se trouvant à proximité); portez un masque antipoussières et travaillez avec un appareil de dépoussiérage lorsqu'il est possible d'en connecter un.
- Suivez les directives nationales relatives au dépoussiérage pour les matériaux à travailler.
- S'assurez que l'outil est hors service en le branchant.

PENDANT L'USAGE

- Tenez toujours le câble éloigné des parties mobiles de l'outil; orientez le câble vers l'arrière le plus loin possible de l'outil.
- Ne jamais utilisez l'outil avec le câble ou la plaque-base (= dispositif de protection) endommagée; faites-les remplacer par un technicien qualifié.
- Evitez de laisser vos doigts près de la fraise quand l'outil est en marche.
- En cas de dysfonctionnement électrique ou mécanique, mettez directement l'outil hors service et débranchez la fiche.
- Au cas où la fraise est bloquée, ayant pour conséquence des saccades, mettez directement l'outil hors service.
- En cas d'interruption de courant ou de débranchement accidentel de la fiche, éteignez l'outil immédiatement pour l'empêcher de redémarrer de façon inopinée.
- Ne pas exercer une pression excessive sur l'outil, de sorte qu'il s'arrête.

ENVIRONNEMENT

MISE AU REBUT

Les outils électroportatifs, ainsi que leurs accessoires et emballages doivent être triés en vue de leur recyclage approprié.

SEULEMENT POUR LES PAYS DE L'UNION EUROPEENNE



Ne jetez pas votre appareil électroportatif avec les ordures ménagères!

Conformément à la directive européenne 2002/96/CE relative à la mise au rebut des équipements électriques

et électroniques, et à sa transposition dans le droit national, les outils électroportatifs inutilisables doivent faire l'objet d'une collecte distincte et être mis au rebut d'une manière respectueuse pour l'environnement.

CONSEILS D'UTILISATION

- Utilisez les fraises appropriées.
- Pour des coupes parallèles au côté de la pièce à travailler, utilisez le guide pour coupes parallèles.
- Pour réaliser des coupes parallèles loin du côté de la pièce à travailler:
 - attachez un morceau de bois rectiligne sur la pièce à travailler au moyen de 2 serre-joints;
 - guidez l'outil avec la plaque-base le long du côté du bois, qui maintenant fonctionne comme un guide pour coupes parallèles.
- Protégez-vous contre les effets des vibrations par un entretien correct de l'outil et de ses accessoires, en gardant vos mains chaudes et en structurant vos schémas de travail.

COMMANDES ET RÉGLAGES

Voir figure 1 :

- A Outil rotatif Dremel
- B Commande de vitesse
- C Zone de rangement et clé de montage
- D Poignée (tourner pour verrouiller)
- E Rangement de la clé pour écrou du porte-outil (Clé non fournie)
- F Echelle de profondeur (Pouces / cm)
- G Guide latéral
- H Guide circulaire
- I Bouton de blocage d'arbre
- J Poignée (fixe)
- K Ecrrou supérieur de réglage
- L Butée de profondeur
- M Ecrrou inférieur de réglage
- N Bouton de dégagement

MONTAGE

MONTAGE DE L'ADAPTATION DÉFONCEUSE PLONGEANTE SUR VOTRE OUTIL ROTATIF

ADAPTATION À UTILISER AVEC LES OUTILS ROTATIFS DREMEL, MODÈLES 300, 395, 398, 400, 4000.

ATTENTION Débranchez l'outil de la prise électrique murale avant de procéder à tout montage, réglage ou remplacement d'accessoire. Cette précaution évite le risque d'un démarrage accidentel de l'outil.

1. Déposez l'écrou du porte-outil, puis enlevez le capuchon de l'outil rotatif pour le ranger à part (Fig. 2). Le capuchon sera remis en place sur l'outil lorsque cette adaptation n'est pas utilisée. Une fois le capuchon enlevé, remontez l'écrou du porte-outil.

Voir figure 2 :

- A Capuchon

2. Placez l'outil dans votre adaptation défonceuse, le bouton de blocage d'arbre orienté vers l'avant comme illustré ci-dessous (Fig. 3).
3. Vissez l'écrou d'assemblage sur la partie filetée de votre outil rotatif, et serrez bien à l'aide de la clé de serrage fournie.

Voir figure 3 :

- A Bouton de blocage d'arbre
- B Ecrrou d'assemblage
- C Clé de serrage

INSTRUCTIONS D'UTILISATION

ATTENTION: Cette adaptation va transformer votre outil rotatif Dremel en une défonceuse permettant de réaliser du défonçage à main levée, du profilage, du rainurage et des coupes circulaires. L'adaptation est livrée assemblée et prête pour le défonçage à main levée ou avec fraise pilote.

Le nettoyage et la lubrification régulière des colonnes verticales de coulissement permettront de conserver la douceur de l'abaissement de l'outil dans la pièce à travailler. Appuyez et verrouillez l'outil en position basse, puis appliquez un lubrifiant léger (petrolatum ou huile alimentaire, par exemple) sur la partie supérieure des colonnes verticales.

ATTENTION Cette adaptation défonceuse n'est pas prévue pour être utilisée sous une table de toupillage ou sous un banc de scie.

Caractéristiques techniques

Voir figure 4A.

INSERTION DE LA FRAISE

Les fraises sont maintenues dans l'outil grâce à un système de pince porte-outil. **La fraise peut être installée avant ou après avoir posé l'outil rotatif sur l'adaptation de défonçage.**

1. Maintenez enfoncé le bouton de blocage d'arbre tout en faisant tourner l'écrou du porte-outil et l'arbre. Continuez à faire tourner l'écrou et l'arbre jusqu'à ce que le bouton s'enclenche et bloque l'arbre (Fig. 4).
2. Utilisez la clé de votre outil rotatif Dremel pour tourner l'écrou du porte-outil en sens inverse des aiguilles d'une montre pour le desserrer.
3. Libérez le bouton de blocage d'arbre.
4. Insérez la fraise dans la pince porte-outil aussi loin que possible afin qu'elle soit bien maintenue et réduise l'excentricité en rotation. Ne pas insérer la fraise au point que le haut de ses tranchants touche le porte-outil ou son écrou afin d'éviter que la fraise ne s'écale ou n'éclate.
NOTE: Ne jamais poser l'outil sur l'établi ou sur la surface de travail lorsque la fraise dépasse du socle de la défonceuse. Posez plutôt l'outil sur le côté ou bien libérez la fraise pour qu'elle remonte avant de poser l'outil sur l'établi ou sur la surface de travail. Une fraise qui dépasse peut faire rebondir l'outil.
5. Engagez de nouveau le bouton de blocage d'arbre et serrez l'écrou du porte-outil, d'abord à la main, puis à l'aide de la clé de serrage jusqu'à ce que la fraise soit solidement maintenue.

Voir figure 4B :

- A Bouton de blocage d'arbre
- B Ecrrou de pince (virole)
- C Clé de serrage de l'écrou du porte-outil
- D Embase

RÉGLAGE DE LA PROFONDEUR DE DÉFONÇAGE

NOTE: Lors de la réalisation de coupes profondes, particulièrement des coupes plongeantes loin des bords de la pièce à travailler, il est recommandé plutôt que de faire une seule passe profonde, de procéder en plusieurs passes de plus en plus profondes en se servant de la règle et la butée de profondeur.

La butée de profondeur peut être réglée pour deux profondeurs simultanées.

1. Placez votre défonceuse sur la pièce à travailler.
2. Tournez la vis supérieure de réglage vers le haut et la vis inférieure de réglage vers le bas afin que la butée de profondeur puisse coulisser librement (Fig. 5).

Voir figure 5:

- A Butée de profondeur
- B Ecrou supérieur de réglage
- C Ecrou inférieur de réglage

3. Desserrez la poignée de verrouillage (Fig. 6). Abaissez lentement l'outil jusqu'à ce que la fraise touche la pièce à travailler.

Voir figure 6:

- A Poignée de verrouillage
- B Bouton de dégagement

4. Serrez la poignée de verrouillage pour bloquer l'outil dans cette position.
5. Maintenez enfoncé le bouton de dégagement de la butée de profondeur de manière à ce que celle-ci touche l'embase de la défonceuse.

1ère profondeur de défonceage

6. Tournez la butée de profondeur vers le haut de sorte que la dimension X égale la première profondeur de travail désirée (Fig. 7).

NOTE: 1 tour égale 1,5 mm

Voir figure 7:

- A Butée de profondeur
- B Ecrou supérieur de réglage

7. Serrez l'écrou inférieur de réglage contre le châssis de la défonceuse.

2ème profondeur de défonceage

8. Tournez la butée de profondeur vers le haut de sorte que la dimension X égale la seconde profondeur de travail désirée. Veillez à ce que l'écrou supérieur de réglage tourne en même temps que la butée de profondeur, de sorte ce à qu'il monte en s'éloignant du châssis de la défonceuse (Fig. 8).

Voir figure 8:

- A Butée de profondeur
- B Ecrou inférieur de réglage

9. Serrez l'écrou inférieur de réglage contre le châssis de la défonceuse.

NOTE: L'écrou supérieur de réglage doit rester fixe pendant le serrage de l'écrou inférieur.

10. Appuyez sur le bouton de dégagement pour sélectionner la 1ère ou la 2ème profondeur de travail (Fig. 9).

NOTE: Le réglage de chacune des profondeurs de travail devront être confirmé par une coupe d'essai et corrigé si nécessaire.

Voir figure 9:

- A Bouton de dégagement

Lorsque le défonceage est achevé, desserrez la poignée de verrouillage et ramenez la défonceuse en position déployée.

AVANCE DE LA DÉFONCEUSE

Si la défonceuse est difficile à maîtriser, chauffe, avance très lentement ou donne des coupes imparfaites, la cause se trouve probablement parmi les suivantes :

- Mauvais sens de la passe – difficulté de contrôle
- Avance trop rapide – surcharge du moteur.
- Fraise émoussée – surcharge du moteur.
- Coupe trop importante pour une seule passe-surcharge du moteur
- Avance trop lente – traces de brûlures sur la pièce à travailler.

Passer l'outil doucement et régulièrement (ne pas forcer). Vous apprendrez très vite au bruit à quel régime la défonceuse fonctionne le mieux.

Degré d'avance

Lorsque l'on travaille des matériaux comme le bois et le plastique, on obtiendra la meilleure finition si la profondeur de coupe et le degré d'avance sont réglés de manière à conserver à l'outil un régime élevée pendant le travail. Passez la défonceuse à vitesse modérée.

Les matériaux tendres demandent une vitesse plus élevée que les matériaux durs.

La défonceuse peut caler si elle est en surcharge ou si elle n'est pas utilisée correctement. Réduisez le degré d'avance afin d'éviter d'endommager l'outil. Assurez-vous toujours que l'écrou du porte-outil est bien serré avant d'utiliser l'outil. Utilisez toujours des fraises de la longueur la plus courte possible suffisant à réaliser la coupe désirée. Ceci réduira l'excentricité de la rotation de la fraise et le broutage.

Moulurage

Pour le moulurage, utilisez toujours des fraises-pilotes ou à roulement . La partie inférieure d'une fraise pilote est un arbre sans tranchants. Les fraises à roulement sont munies d'un roulement à billes qui guident la fraise.

Ce guide glisse le long du bord de la pièce à travailler tandis que les tranchants de la fraise effectuent la coupe pour obtenir des bords moulurés. Le bord sur lequel le guide doit être parfaitement lisse, car toute irrégularité sera reproduite sur la surface travaillée. Pour défoncez une pièce qui doit être moulurée sur les bords, défoncez en premier le bord dont le bois est de bout avant de passer aux bords qui suivent le fil du bois. Ceci permet de réduire la possibilité d'endommager la pièce à travailler par suite d'un éclatement du bois d'extrémité.

Sens de la passe

La broche de la défonceuse tourne dans le sens des aiguilles d'une montre quand on regarde l'outil par le dessus. Pour obtenir un meilleur contrôle et une meilleure qualité de coupe, passez l'outil sur la pièce dans le sens vers lequel la fraise tend à s'enfoncer dans le bois. Une passe effectuée dans le mauvais sens amènera la fraise à être repoussée hors du bois.

Passer l'outil dans le sens indiqué ici. Si vous faites une coupe le long d'une pièce carrée, déplacez l'outil dans le sens contraire des aiguilles d'une montre. Si le défonceage se fait à l'intérieur de la pièce, déplacez l'outil dans le sens des aiguilles d'une montre (Fig. 10).

NOTE: Le sens de la passe est extrêmement important quand on défonce à main levée avec une fraise-pilote le bord de la pièce à travailler.

Voir figure 10:

- A Sens de la passe
- B Travailler d'abord sur le bois perpendiculaire au fil
- C Sens de rotation de la fraise

MONTAGE DU GUIDE LATÉRAL

Pour utiliser le guide latéral, montez les tiges-guides dans les orifices de l'embase et fixez-les à l'aide des 2 écrous carrés #10-24 et des 2 molettes de serrage (Fig. 11).

Les écrous carrés s'insèrent dans les rainures situées au-dessus des tiges-guides. Les molettes de serrage s'installent par le dessus dans les trous jusqu'aux écrous, puis contre les tiges. Fixez la butée de guide sur les tiges-guides au moyen des molettes de serrage et des écrous six pans.

Placez les écrous six pans sous la butée de guide, les molettes de serrage étant insérées par le dessus de la butée de guide. Engagez la butée sur les tiges-guides comme représenté sur l'illustration. Réglez la butée à la distance voulue de la fraise et bloquez les molettes de serrage. (Voir Fig. 11)

Le guide latéral permet de profiler des bords, de réaliser des feuillures, des embrèvements, des mortaises, des tenons, des rainures et des chanfreins. N'oubliez pas de déplacer l'outil de manière à ce que la fraise tende à tirer la butée du guide vers le bois. Une avance régulière permet d'obtenir une coupe nette.

En général, on effectuera plusieurs coupes peu importantes pour obtenir une coupe profonde. La profondeur maximale varie en fonction du matériau travaillé. L'importance de la coupe ne doit pas ralentir notablement le régime moteur.

Voir figure 11:

- A Vis de réglage de profondeur
- B Molette de serrage
- C Ecrous carrés
- D Tiges-guides
- E Guide latéral
- F Pointe de finition
- G Guide circulaire
- H Ecrous six pans
- I Molette de serrage

GUIDE LATÉRAL

Installation

1. Installez le guide latéral sur les blocs de montage situés sur l'embase (Fig. 12).

Voir figure 12:

- A Blocs de montage
- B Guide latéral

2. Placez le guide parallèle contre la surface de la pièce à travailler, avec la fraise de la défonceuse dans la position voulue.
3. Serrez les vis papillon.

Défonçage avec guide latéral

Faites coulisser la partie plane du guide latéral contre la surface de la pièce à travailler.

GUIDE CIRCULAIRE

Défoncer des arcs et des cercles

1. Enlevez le guide latéral et installez la butée du guide circulaire sur les tiges-guides (Fig. 13).

Voir figure 13:

- A Pointe de finition
- B Guide latéral

2. Utilisez le clou de finition fourni comme pointe de compas. Réglez le guide pour obtenir le rayon voulu.

3. Placez le clou dans le trou ménagé dans le guide, puis placez la pointe au centre du cercle à découper.

GABARITS

L'utilisation de gabarits vous permet de reproduire des formes ou des lettres de manière à chaque fois identique. Cette technique nécessite l'emploi d'une douille guide.

DOUILLES GUIDES

La douille guide, représentée en Fig. 14, se compose essentiellement d'une plaque munie d'un collet qui s'insère dans l'ouverture de l'embase de la manière illustrée ci-dessous, et qui se fixe au moyen d'une bague filetée se vissant par le dessus de la douille guide. La douille guide glisse le long du bord du gabarit tandis que la fraise qui dépasse du dessous de l'embase effectue son travail de coupe.

Voir figure 14:

- A Bague à visser
- B Douille Guide
- C Embase

ATTENTION: Veillez à ce que l'épaisseur du gabarit soit d'une épaisseur égale ou supérieure à la longueur de la partie de la fraise qui dépasse de l'embase.

N'utilisez pas de fraise dont le diamètre serait tel que les bords de la fraise touchent l'intérieur du collet de la douille. Choisissez en revanche une fraise dont le diamètre n'est pas inférieur à 2 mm. De plus, il est facile de préparer des gabarits qui permettent ensuite de reproduire à l'infini et à l'identique des motifs répétitifs, des dessins spéciaux, des incrustations ou autres. Un gabarit peut se fabriquer en contre-plaqué, en bois dur, en métal ou même en plastique, et la forme peut en être découpée au moyen d'une défonceuse, d'une scie sauteuse ou de tout autre outil de découpe approprié. Rappelez-vous que le gabarit doit présenter une épaisseur telle qu'elle compense la distance entre la fraise et la douille guide (le "déport"), car la dimension de la pièce qui sera obtenue en fin de compte et la taille du gabarit montreront une différence égale à cette distance en raison de la position de la fraise (Fig. 15).

Voir figure 15:

- A Fraise
- B Ecou de pince porte-outil
- C Douille guide
- D Embase
- E Gabarit
- F Pièce à travailler
- G Déport

DEFONÇAGE À MAIN LEVÉE

En utilisant à main levée la défonceuse équipée d'une fraise de petit diamètre, il est possible d'obtenir des effets nombreux et variés. D'habitude, il convient de tracer au crayon les contours désirés et d'utiliser le trait comme guide pendant le défonçage.

REPARATION ET GARANTIE

Ce produit DREMEL fait l'objet d'une garantie conforme aux réglementations légales en vigueur dans votre pays; les dommages résultant de l'usure normale, d'une surcharge ou d'une utilisation inappropriée sont exclus de la garantie.

En cas de réclamation, envoyez l'outil *non démonté* avec le justificatif d'achat à votre revendeur.

CONTACTER DREMEL

Pour plus d'informations sur la gamme de produits, le support technique et l'assistance téléphonique de la société Dremel, visitez le site www.dremel.com

Dremel Europe, P.O. Box 3267, 4800 DG Breda, Pays-Bas

ISTRUZIONI GENERALI DI SICUREZZA



ATTENZIONE E' ASSOLUTAMENTE NECESSARIO LEGGERE ATTENTAMENTE TUTTE LE ISTRUZIONI.

Eventuali errori nell'adempimento delle istruzioni qui di seguito riportate potranno causare scosse elettriche, incendi e/o lesioni gravi. Il termine qui di seguito utilizzato "elettroutensile" si riferisce ad utensili elettrici alimentati dalla rete (con linea di allacciamento).

CONSERVARE QUESTE ISTRUZIONI


STAZIONE DI LAVORO

- Tenere la zona di operazione sempre pulita ed ordinata. Il disordine e le zone di lavoro non illuminate possono essere fonte di incidenti.
- Evitare d'impiegare l'elettroutensile in ambienti soggetti al rischio di esplosioni e nei quali si trovino liquidi, gas o polveri infiammabili. Gli elettroutensili producono scintille che possono far infiammarsi la polvere o i gas.
- Tenere lontani i bambini ed altre persone durante l'impiego dell'elettroutensile. Eventuali distrazioni potranno comportare la perdita del controllo sull'elettroutensile.

SICUREZZA ELETTRICA

- La spina per la presa di corrente dovrà essere adatta alla presa. Evitare assolutamente di apportare modifiche alla spina. Non impiegare spine adattatrici assieme ad elettroutensili con collegamento a terra. Le spine non modificate e le prese adatte allo scopo riducono il rischio di scosse elettriche.
- Evitare il contatto fisico con superfici collegate a terra, come tubi, riscaldamenti, cucine elettriche e frigoriferi. Sussiste un maggior rischio di scosse elettriche nel momento in cui il corpo è messo a massa.
- Custodire l'elettroutensile al riparo dalla pioggia o dall'umidità. L'eventuale infiltrazione di acqua in un elettroutensile va ad aumentare il rischio d'insorgenza di scosse elettriche.
- Non usare il cavo per scopi diversi da quelli previsti e quindi non usarlo per trasportare o appendere l'elettroutensile oppure per togliere la spina dalla presa di corrente. Non avvicinare il cavo a fonti di calore, olio, spigoli taglienti e neppure a parti della macchina che siano in movimento. I cavi danneggiati o aggrovigliati aumentano il rischio d'insorgenza di scosse elettriche.
- Qualora si voglia usare l'elettroutensile all'aperto, impiegare solo ed esclusivamente cavi di prolunga omologati per l'impiego all'esterno. L'uso di un cavo di prolunga omologato per l'impiego all'esterno riduce il rischio d'insorgenza di scosse elettriche.
- Indossare vestiti adeguati. Evitare di indossare vestiti lenti o gioielli. Tenere i capelli, i vestiti ed i guanti lontani da pezzi in movimento. Vestiti lenti, gioielli o capelli lunghi potranno impigliarsi in pezzi in movimento.

SICUREZZA DI PERSONE

- È importante concentrarsi su ciò che si sta facendo e maneggiare con giudizio l'elettroutensile durante le operazioni di lavoro. Non utilizzare l'utensile in caso di stanchezza o sotto l'effetto di droghe, bevande alcoliche e medicinali. Un attimo di distrazione durante l'uso dell'elettroutensile potrà causare lesioni gravi.
-  Indossare sempre equipaggiamento protettivo individuale, nonché guanti protettivi. Indossare sempre gli occhiali di protezione. Indossando abbigliamento di protezione personale come la maschera per polveri, scarpe di sicurezza che non scivolino, elmetto di protezione oppure protezione acustica a seconda del tipo e dell'applicazione dell'elettroutensile, si riduce il rischio di incidenti.
- Evitare l'accensione involontaria dell'utensile. Prima d'inserire la spina nella presa di corrente, assicurarsi che l'elettroutensile sia spento. Il fatto di tenere il dito sopra all'interruttore o di collegare l'elettroutensile acceso all'alimentazione di corrente potrà essere causa di incidenti.
- Togliere gli attrezzi di regolazione o la chiave inglese prima di accendere l'utensile. Un utensile oppure una chiave che si trovi in una parte rotante della macchina può provocare seri incidenti.
- Mai sopravvalutare le proprie possibilità di reazione. Avere cura di mettersi in posizione sicura e di mantenere l'equilibrio. In tale maniera sarà possibile controllare meglio l'elettroutensile in situazioni inaspettate.
- Indossare vestiti adeguati. Non indossare vestiti larghi, né portare bracciali e catenine. Tenere i capelli, i vestiti ed i guanti lontani da pezzi in movimento. Vestiti lenti, gioielli o capelli lunghi potranno impigliarsi in pezzi in movimento.
- In caso fosse previsto il montaggio di dispositivi di aspirazione della polvere e di raccolta, assicurarsi che gli stessi siano collegati e che vengano utilizzati correttamente. L'utilizzo di tali dispositivi contribuisce a ridurre lo svilupparsi di situazioni pericolose provocate dalla presenza di polvere.
- Non lavorare mai materiali contenenti amianto** (l'amianto è ritenuto materiale cancerogeno).
- Prendere dei provvedimenti appropriati in caso che durante il lavoro dovessero svilupparsi polveri dannose per la salute, infiammabili oppure esplosive** (alcune polveri sono considerate cancerogene); portare una maschera di protezione contro la polvere ed utilizzare, se collegabile, un sistema di aspirazione polvere/aspirazione trucioli.

TRATTAMENTO ACCURATO E USO CORRETTO DEGLI ELETTROUTENSILI

- Non sottoporre la macchina a sovraccarico. Per il proprio lavoro, utilizzare esclusivamente l'elettroutensile esplicitamente previsto per il caso. Con un elettroutensile adatto si lavora in modo migliore e più sicuro nell'ambito della sua potenza di prestazione.
- Non utilizzare mai elettroutensili con interruttori difettosi. Un elettroutensile con l'interruttore rotto è pericoloso e deve essere aggiustato.
- Togliere la spina dalla presa di corrente prima di iniziare a regolare l'elettroutensile, di sostituire pezzi di ricambio o di mettere da parte l'elettroutensile. Tale precauzione eviterà che l'elettroutensile possa essere messo in funzione involontariamente.
- Quando gli elettroutensili non vengono utilizzati, conservarli al di fuori del raggio di accesso di bambini. Non fare usare l'elettroutensile a persone che non siano abituate ad usarlo o che non abbiano letto le presenti istruzioni. Gli elettroutensili sono macchine pericolose quando vengono utilizzati da persone non dotate di sufficiente esperienza.
- Effettuare accuratamente la manutenzione dell'elettroutensile. Verificare che le parti mobili dell'elettroutensile funzionino perfettamente e non s'inceppino, che non ci siano pezzi rotti o danneggiati al punto tale da limitare la funzione dell'elettroutensile

stesso. Prima di iniziare l'impiego, far riparare le parti danneggiate. *Numerosi incidenti vengono causati da elettrotensili la cui manutenzione è stata effettuata poco accuratamente.*

- f. Mantenere gli utensili da taglio sempre affilati e puliti. *Gli utensili da taglio curati con particolare attenzione e con taglienti affilati s'inzeppano meno frequentemente e sono più facili da condurre.*
- g. Utilizzare utensili elettrici, accessori, attrezzi, ecc. in conformità con le presenti istruzioni e secondo quanto previsto per questo tipo specifico di elettrotensile. Così facendo, tenere sempre presente le condizioni di lavoro e le operazioni da eseguire. *L'impiego di elettrotensili per usi diversi da quelli consentiti potrà dar luogo a situazioni di pericolo.*

ASSISTENZA

- a. Fare riparare l'elettrotensile solo ed esclusivamente da personale specializzato e solo impiegando pezzi di ricambio originali. *In tale maniera potrà essere salvaguardata la sicurezza dell'elettrotensile.*

ISTRUZIONI DI SICUREZZA PER FRESATRICI

NOTE GENERALI

- Questo utensile non dev'essere utilizzato da persone di età inferiore ai 16 anni.
- Staccate sempre la spina dell'utensile prima di effettuare regolazioni o cambiare gli accessori.

ACCESSORI

- Utilizzate solo accessori il cui numero massimo di giri corrisponda almeno al massimo dei numeri di giri dell'utensile.
- Non utilizzate frese danneggiate o deformate.
- Utilizzate solo frese affilate.
- Proteggere gli accessori da impatto, da urti e dal grasso.

PRIMA DELL'USO

- Evitate possibili danneggiamenti da viti e chiodi sporgenti; rimuoverli prima di iniziare la lavorazione.
- Controllare che la tensione dell'alimentazione sia la stessa di quella indicata sulla targhetta dell'utensile (gli utensili con l'indicazione di 230V o 240V possono essere collegati anche alla rete di 220V).
- Serrare il pezzo in lavorazione in modo che non rimanga stazionario dal proprio peso.
- Le polveri di materiali come vernici contenenti piombo, alcune specie di legno, minerali e metallo possono essere nocive (il contatto con queste polveri o la loro inalazione possono causare reazioni allergiche e/o disturbi respiratori all'operatore o ad altre persone presenti sul posto); indossare una maschera protettiva per la polvere e utilizzare un dispositivo per l'estrazione della polvere se è presente una presa di collegamento.
- Rispettare le istruzioni nazionali riguardanti l'estrazione della polvere per i materiali in lavorazione.
- Assicurarsi che l'utensile sia spento quando si inserisce alla rete.

DURANTE L'USO

- Mantenere sempre il cavo distante dalle parti in movimento dell'utensile; spingere il cavo verso la parte posteriore, distante dall'utensile.
- Non usate l'utensile quando il cavo o la base (= dispositivo di protezione) è danneggiato; farlo sostituire da personale qualificato.
- Tenete le mani e le dita lontano dalla fresa quando l'interruttore dell'utensile è acceso.

- Nel caso di cattivo funzionamento elettrico o meccanico, spegnete subito l'utensile e staccate la spina.
- Nel caso che la fresa si blocchi, che causa eccessiva forza di spinta sull'utensile, spegnete immediatamente l'utensile.
- In caso di mancata corrente oppure quando la spina viene tirata fuori accidentalmente, spegnete immediatamente l'utensile per impedire un avviamento non incontrollato.
- Non applicare troppa pressione sull'utensile che si ferma.

AMBIENTE

SMALTIMENTO

Avviare ad un riciclaggio rispettoso dell'ambiente gli imballaggi, gli elettrotensili e gli accessori dismessi.

SOLO PER I PAESI DELLA CE



Non gettare elettrotensili dismessi tra i rifiuti domestici! Conformemente alla norma della direttiva CE 2002/96 sui rifiuti di apparecchiature elettriche ed elettroniche (RAEE) ed all'attuazione del recepimento nel diritto nazionale, gli elettrotensili diventati inservibili devono essere raccolti separatamente ed essere inviati ad una riutilizzazione ecologica.

CONSIGLIO PRATICO

- Usate le frese appropriate.
- Per tagli paralleli al lato del pezzo di lavoro usate la guida parallela.
- Per tagli paralleli lontani dal lato del pezzo di lavoro:
 - applicate, per mezzo di 2 morsetti, un pezzo di legno dritto al pezzo di lavoro;
 - guidate l'utensile con il suo lato piano lungo il bordo del pezzo di legno applicato che funge ora da guida parallela.
- Proteggersi dagli effetti della vibrazione effettuando la manutenzione dell'utensile e dei relativi accessori, mantenendo le mani calde e organizzando i metodi di lavoro.

CONTROLLI PER L'AZIONAMENTO

Vedere Fig. 1:

- A Utensile Dremel
- B Controllo velocità
- C Chiave di montaggio & area di alloggiamento
- D Impugnatura (ruotare per bloccare)
- E Area di alloggiamento della chiave per la ghiera della pinza (Chiave non inclusa)
- F Scala di profondità (In pollici/in mm)
- G Guida laterale
- H Guida circolare
- I Pulsante di blocco albero
- J Impugnatura (fissa)
- K Ghiera di regolazione, inferiore
- L Arresto di profondità
- M Ghiera di regolazione, superiore
- N Pulsante rilascio

MONTAGGIO

COME MONTARE IL SUPPORTO PER FRESARE AD IMMERSIONE SUL PROPRIO UTENSILE

COMPLEMENTO ADATTO PER GLI UTENSILI DREMEL MODELLO 300, 395, 398, 400, 4000.

ATTENZIONE Scollegare la spina dalla presa prima di eseguire qualsiasi montaggio, regolazione o sostituzione degli accessori. Queste misure preventive di sicurezza riducono i rischi di un azionamento accidentale dell'utensile.

1. Togliere la ghiera della pinza, poi togliere il coperchio dell'involucro dal proprio utensile (Fig. 2). (Quando il complemento non è più in uso bisogna inserire di nuovo il coperchio dell'involucro.) Dopo aver tolto il coperchio dell'involucro, rimontare la ghiera della pinza.

Vedere Fig. 2:

A Coperchio dell'involucro

2. Posizionare l'utensile nel proprio complemento di fresatura con il pulsante di bloccaggio dell'albero rivolto in avanti nel modo indicato (Fig. 3).
3. Avvitare la ghiera di montaggio in senso orario sulla parte filettata dell'utensile e bloccarla bene con la chiave di montaggio in dotazione.

Vedere Fig. 3:

A Pulsante di blocco albero

B Ghiera di montaggio

C Chiave di montaggio

ISTRUZIONI D'USO

ATTENZIONE: Questo complemento converte l'utensile Dremel in una fresa a immersione per fresatura a mano libera, rifinitura di bordi, esecuzione di scanalature e tagli circolari. Il complemento di fresatura viene fornito montato, pronto per la fresatura a mano libera o con frese guidate.

La pulitura periodica delle colonnine della guida manterrà scorrevole l'azione di tuffo. Bloccare la fresa a tuffo in posizione compressa, quindi applicare con uniformità un lubrificante leggero (ad es. vaselina oppure olio alimentare) alla parte superiore delle colonnine.

ATTENZIONE Questo complemento di fresatura non è concepito per essere utilizzato con una tavola di fresatura o di segatura.

Specifiche

Vedere Fig. 4A.

INSERIMENTO DELLA FRESA

Le frese sono trattenute nell'utensile da un sistema a pinza. **La pinza può essere installata prima o dopo l'inserimento dell'utensile nel complemento.**

1. Tenere premuto il pulsante di bloccaggio dell'albero facendo ruotare la ghiera della pinza e l'albero. Ruotare ancora la ghiera della pinza e l'albero finché il blocco non si innesta nell'albero fermandolo (Fig. 4).
2. Servendosi della chiave dell'utensile Dremel, ruotare la ghiera della pinza in senso antiorario per allentarla.
3. Rilasciare il pulsante di bloccaggio dell'albero.
4. Inserire la fresa nella pinza in profondità per assicurare il corretto bloccaggio della fresa e ridurre al minimo la scentratura. Tuttavia non inserire la fresa troppo a fondo, evitando che le sue scanalature vengano a contatto con la pinza o la ghiera della pinza causandone la possibile incrinatura.

NOTA: Non posare mai utensili con punte sporgenti oltre la base sul banco o sulla superficie di lavoro. Posare l'utensile lateralmente o ritrarre la punta prima di posarlo sul banco o sulla superficie di lavoro. Una punta da taglio sporgente può far saltare l'utensile.

5. Premere di nuovo il pulsante di bloccaggio dell'albero e serrare la ghiera della pinza; prima a mano, poi utilizzando la chiave fino a bloccare in modo sicuro la fresa.

Vedere Fig. 4B:

A Pulsante di blocco albero

B Ghiera della pinza

C Chiave per la ghiera della pinza

D Base

REGOLAZIONE DELLA PROFONDITÀ DI FRESATURA

NOTA: Quando si eseguono tagli profondi, in particolare tagli a tuffo lontano dal bordo del pezzo, è bene eseguire diversi tagli in successione andando progressivamente sempre più in profondità utilizzando la regolazione e la scala di profondità piuttosto che eseguire un unico taglio profondo.

Il limitatore di profondità può essere regolato per due profondità.

1. Posizionare l'utensile Dremel e il gruppo di fresatura sulpezzo.
2. Ruotare la ghiera di regolazione superiore verso l'alto e la ghiera inferiore verso il basso in modo che l'arresto di profondità sia libero di muoversi (Fig. 5).

Vedere Fig. 5:

A Arresto di profondità

B Regolazione superiore Ghiera

C Ghiera di regolazione inferiore

3. Allentare la manopola di bloccaggio (Fig. 6). Abbassare lentamente l'utensile fino a quando la fresa non tocca il pezzo.

Vedere Fig. 6:

A Manopola

B Pulsante di rilascio

4. Serrare la manopola di bloccaggio per bloccare l'utensile in posizione.
5. Tenere premuto il pulsante di rilascio in modo che l'arresto di profondità tocchi la base della fresa.

1a profondità di fresatura

6. Ruotare verso l'alto l'arresto di profondità in modo che la misurazione X sia uguale alla prima profondità di fresatura desiderata (Fig. 7).

Nota: 1 giro equivale a 0,6" (1,5 mm)

Vedere Fig. 7:

A Arresto di profondità

B Regolazione superiore

7. Ruotare verso il basso la ghiera di regolazione superiore fino ad appoggiarla al telaio del dispositivo di fresatura.

2a profondità di fresatura

8. Ruotare verso l'alto l'arresto di profondità in modo che la misurazione X equivalga alla seconda profondità di fresatura desiderata. Assicurarsi che la ghiera di regolazione superiore ruoti assieme all'arresto di profondità, in modo da sollevarsi dal telaio del dispositivo di fresatura (Fig. 8).

Vedere Fig. 8:

A Arresto di profondità

B Ghiera di regolazione inferiore

9. Ruotare verso l'alto la ghiera di regolazione inferiore fino ad appoggiarla al telaio del dispositivo di fresatura.

NOTA: Mentre si serra la ghiera di regolazione inferiore quella superiore deve rimanere fissa.

10. Premere il pulsante di rilascio per selezionare la prima o la seconda profondità di fresatura (Fig. 9).

NOTA: La regolazione di ogni profondità di fresatura deve essere verificata mediante un taglio di prova e se necessario nuovamente regolata.

Vedere Fig. 9:

- A Pulsante di rilascio

Dopo aver terminato la fresatura, allentare la manopola e riportare in alto la fresa.

AVANZAMENTO DELLA FRESA

Se la fresa risulta difficile da controllare, si surriscalda, opera molto lentamente o esegue un taglio imperfetto, le cause possono essere le seguenti:

- Direzione di avanzamento non corretta – Difficoltà di controllo.
- Avanzamento troppo rapido – Sovraccarico del motore.
- Punta usurata – Sovraccarico del motore.
- Taglio troppo grande per una sola passata – Sovraccarico del motore.
- Avanzamento troppo lento – Tracce di bruciatura sul pezzo.

L'avanzamento deve essere uniforme e regolare (senza forzare). Con la pratica si impara presto a capire dal rumore della fresa quando questa sta funzionando al meglio.

Velocità di avanzamento

Quando si esegue una fresatura o un lavoro simile su legno o plastica, i migliori risultati si ottengono se la profondità di taglio e la velocità di avanzamento sono regolate in modo da mantenere il motore a velocità elevata. Far avanzare la fresa a velocità moderata. I materiali dolci richiedono una velocità di avanzamento maggiore rispetto a quella per i materiali duri.

Se utilizzata in modo improprio o se sovraccaricata la fresa può andare in stallo. Per evitare un eventuale danno dell'utensile è necessario ridurre la velocità di avanzamento. Prima dell'uso assicurarsi sempre che la ghiera della pinza sia serrata a fondo. Utilizzare sempre frese con la minor lunghezza di tagliente necessaria per ottenere il taglio desiderato. Questo riduce al minimo la scentratura e la vibrazione della fresa.

Sagomatura dei bordi

Per sagomare i bordi utilizzare sempre punte guidate o con cuscinetto. La parte inferiore di una punta guidata è un albero senza taglienti. Le frese con guida a cuscinetto sono dotate di un cuscinetto a sfera per la guida.

La fresa guidata scorre lungo il bordo del pezzo mentre le lame in rotazione provvedono al taglio ed eseguono bordi decorativi. Il bordo su cui scorre la fresa guidata deve essere perfettamente liscio poiché qualsiasi irregolarità viene trasferita sulla superficie sagomata. Durante la fresatura di un pezzo che richiede bordi sagomati

perpendicolari alla venatura, fresare sempre tali bordi, prima di fresare quelli paralleli alla venatura. Questo riduce al minimo la possibilità di danneggiamenti derivanti da distacco di schegge all'estremità della venatura.

Direzione di avanzamento della fresa

Guardando dall'alto il mandrino di fresatura gira in senso orario. Per ottenere il massimo controllo e la migliore qualità di taglio, la direzione di avanzamento della fresa nel pezzo in lavorazione deve essere tale che la fresa tenda ad entrare nel legno. Una direzione di avanzamento scorretta fa sì che la fresa tenda a "salire" sul pezzo.

Far avanzare l'utensile nella direzione qui raffigurata. Quando si esegue un taglio intorno al bordo di un pezzo quadrato, muovere l'utensile in senso antiorario. Quando si fresa la superficie interna come in figura, muoversi in senso orario (Fig. 10).

NOTA: La direzione di avanzamento è estremamente importante quando si utilizza una fresa guidata a mano libera sul bordo di un pezzo.

Vedere Fig. 10:

- A Direzione di avanzamento della fresa
- B Prima fresare perpendicolarmente alle venature
- C Rotazione della fresa

MONTAGGIO DELLA GUIDA LATERALE

Per utilizzare la guida laterale, montare le barre di guida sul gruppo portautensili e fissarle mediante i (2) dadi quadri N°10-24 e le (2) manopole della barra di guida (Fig. 11).

I dadi quadri scivolano nelle scanalature sopra le barre di guida. Le manopole della barra di guida vengono montate da sopra facendole passare attraverso i fori e i dadi fin contro le barre. Fissare la guida laterale alle barre di guida mediante le manopole della barra di guida e i dadi esagonali.

Collocare i dadi esagonali sotto la guida laterale e serrarli con le manopole della barra di guida sulla superficie superiore della guida laterale. Far scorrere il gruppo guida laterale sulle barre di guida come indicato. Posizionare la guida laterale alla distanza desiderata dalla fresa e serrare le manopole. (vedere Fig. 11)

La guida laterale permette di effettuare la sagomatura di bordi, il taglio di battute, l'esecuzione di incastri, mortase, tenoni, scanalature, asole e biselli. Fare avanzare la fresa in modo che essa tenda a tirare la guida laterale contro il legno. Per ottenere dei tagli di qualità mantenere una velocità di avanzamento costante.

In generale, per ottenere una scanalatura profonda eseguire alcune passate successive poco profonde. La massima profondità di taglio dipende dal tipo di materiale lavorato. Non eccedere mai con la velocità di avanzamento tanto da rallentare sensibilmente il motore.

Vedere Fig. 11:

- A Vite di regolazione della profondità
- B Manopole barra di guida
- C Dadi quadri
- D Barre di guida
- E Guida laterale
- F Punta di finitura
- G Guida circolare
- H Dadi esagonali
- I Manopole guida laterale

GUIDA LATERALE

Installazione

1. Installare la guida laterale sui blocchi di montaggio della fresa a tuffo (Fig. 12).

Vedere Fig. 12:

- A Blocchi di montaggio
- B Guida laterale

2. Posizionare la guida parallela contro la superficie di lavoro con la fresa nella posizione desiderata.
3. Serrare le viti ad alette.

Fresatura mediante guida laterale

Far scorrere il lato appiattito della guida laterale lungo la superficie di lavoro.

GUIDA CIRCOLARE

Fresatura di archi e cerchi

1. Rimuovere la guida laterale e collegare la staffa della guida circolare alle barre di guida (Fig. 13).

Vedere Fig. 13:

- A Punta di finitura
- B Guida laterale

2. Usare la punta di finitura fornita in dotazione come perno del compasso. Impostare la guida circolare al raggio desiderato.
3. Posizionare la punta nel foro della guida e quindi posizionarlo nel centro del taglio circolare che si desidera eseguire.

SAGOME

L'uso di modelli sagomati permette di riprodurre senza limiti motivi ornamentali e caratteri. Questa tecnica richiede l'impiego di una boccola di guida.

BOCCOLE DI GUIDA

La boccola di guida, illustrata in fig. 14, è essenzialmente costituita da un anello con un collare, che viene inserito nel foro della base come mostrato e viene assicurato avvitando una boccola di arresto sopra quella di guida. La boccola di guida segue il bordo della sagoma mentre la fresa, che sporge inferiormente, taglia il materiale.

Vedere Fig. 14:

- A Boccola di arresto
- B Guida Boccola
- C Base

ATTENZIONE: Assicurarsi che lo spessore della sagoma sia eguale o superiore alla dimensione della parte della boccola di guida che sporge al di sotto della base.

Non utilizzare frese che possano venire a contatto con la parte interna del collare. Selezionare una fresa di diametro inferiore di almeno 2 mm.

E' molto facile creare delle sagome, che permettono di realizzare motivi ripetuti, ornati particolari, intarsi e altre applicazioni. Le sagome possono essere fatte in compensato o in massello, in metallo o addirittura in plastica e il motivo può essere realizzato mediante una fresa, un seghetto alternativo o un altro utensile da taglio opportuno. Occorre ricordare che il motivo della sagoma deve essere realizzato in modo da compensare la distanza tra la fresa e la boccola di guida (detta correntemente "offset"), in quanto la dimensione finale del pezzo differirà di quel valore da quella della sagoma, proprio a causa della posizione della fresa (fig. 15).

Vedere Fig. 15:

- A Fresa
- B Ghiera di serraggio
- C Boccola di guida
- D Base
- E Motivo della sagoma
- F Pezzo
- G Offset

FRESATURA A MANO LIBERA

Molti effetti particolari si possono realizzare utilizzando la fresa a mano libera con una punta di piccolo diametro. Normalmente conviene tracciare a matita sul pezzo il motivo o la scritta desiderati e utilizzare poi tale traccia come guida.

ASSISTENZA E GARANZIA

Questo prodotto DREMEL è garantito come da disposizioni normative/nazionali; eventuali danni dovuti a normale usura, sovraccarico o utilizzo improprio non sono coperti da garanzia.

CONTATTO DREMEL

Per ulteriori informazioni sulla gamma di prodotti Dremel, supporto e numero verde, visitare il sito www.dremel.com

Dremel Europe, P.O. Box 3267, 4800 DG Breda, Paesi Bassi

ALGEMENE VEILIGHEIDSVOORSCHRIFTEN

NL



LET OP

LEES ALLE VOORSCHRIFTEN.

Wanneer de volgende voorschriften niet in acht worden genomen, kan dit een elektrische schok, brand of ernstig letsel tot gevolg hebben. Het hierna gebruikte begrip "elektrisch gereedschap" heeft betrekking op elektrische gereedschappen voor gebruik op het stroomnet (met netsnoer).

BEWAAR DEZE VOORSCHRIFTEN GOED


WERKOMGEVING

- a. Houd uw werkomgeving schoon en opgeruimd. *Een rommelige of onverlichte werkomgeving kan tot ongevallen leiden.*
- b. Werk met het gereedschap niet in een omgeving met explosiegevaar waarin zich brandbare vloeistoffen, brandbare gassen of brandbaar stof bevinden. *Elektrische gereedschappen veroorzaken vonken die het stof of de dampen tot ontsteking kunnen brengen.*
- c. Houd kinderen en andere personen tijdens het gebruik van het elektrische gereedschap uit de buurt. *Wanneer u wordt afgeleid, kunt u de controle over het gereedschap verliezen.*

ELEKTRISCHE VEILIGHEID

- a. De aansluitstekker van het gereedschap moet in het stopcontact passen. De stekker mag in geen geval worden veranderd. Gebruik geen adapterstekkers in combinatie met geaarde gereedschappen. *Onveranderde stekkers en passende stopcontacten beperken het risico van een elektrische schok.*
- b. Voorkom aanraking van het lichaam met geaarde oppervlakken, bijvoorbeeld van buizen, verwarmingen, fornuizen en koelkasten. *Er bestaat een verhoogd risico op een elektrische schok wanneer uw lichaam geaard is.*
- c. Houd het gereedschap uit de buurt van regen en vocht. *Het binnendringen van water in het elektrische gereedschap vergroot het risico van een elektrische schok.*
- d. Gebruik de kabel niet voor een verkeerd doel, om het gereedschap te dragen of op te hangen of om de stekker uit het stopcontact te trekken. Houd de kabel uit de buurt van hitte, olie, scherpe randen en bewegende gereedschapsdelen. *Beschadigde of in de war geraakte kabels vergroten het risico van een elektrische schok.*
- e. Wanneer u buitenshuis met elektrisch gereedschap werkt, dient u alleen verlengkabels te gebruiken die voor gebruik buitenshuis zijn goedgekeurd. *Het gebruik van een voor gebruik buitenshuis geschikte verlengkabel beperkt het risico van een elektrische schok.*
- f. Als het gebruik van het elektrische gereedschap in een vochtige omgeving onvermijdelijk is, dient u een aardlekschakelaar te gebruiken. *Het gebruik van een aardlekschakelaar vermindert het risico van een elektrische schok.*

VEILIGHEID VAN PERSONEN

- a. Wees alert, let goed op wat u doet en ga met verstand te werk bij het gebruik van het elektrische gereedschap. Gebruik het gereedschap niet wanneer u moe bent of onder invloed staat van drugs, alcohol of medicijnen. *Een moment van onoplettendheid bij het gebruik van het gereedschap kan tot ernstige verwondingen leiden.*
- b.  Draag persoonlijke beschermende uitrusting en altijd een veiligheidsbril. *Het dragen van persoonlijke beschermende uitrusting zoals een stofmasker, slipvaste werkschoenen, een veiligheidshelm of gehoorbescherming, afhankelijk van de aard en het gebruik van het elektrische gereedschap, vermindert het risico van verwondingen.*
- c. Voorkom per ongeluk inschakelen. Controleer dat het elektrische gereedschap uitgeschakeld is, voordat u de stekker in het stopcontact steekt. *Wanneer u bij het dragen van het gereedschap uw vinger aan de schakelaar hebt of wanneer u het gereedschap ingeschakeld op de stroomvoorziening aansluit, kan dit tot ongevallen leiden.*
- d. Verwijder instelgereedschappen of schroefleutels voordat u het gereedschap inschakelt. *Een instelgereedschap of sleutel in een draaiend deel van het gereedschap kan tot verwondingen leiden.*
- e. Overschat u zelf niet. *Zorg ervoor dat u stevig staat en steeds in evenwicht blijft. Daardoor kunt u het gereedschap in onverwachte situaties beter onder controle houden.*
- f. Draag geschikte kleding. *Draag geen loshangende kleding of sieraden. Houd haren, kleding en handschoenen uit de buurt van bewegende delen. Loshangende kleding, lange haren en sieraden kunnen door bewegende delen worden meegenomen.*
- g. Wanneer stofafzuigings- of stofopvangvoorzieningen kunnen worden gemonteerd, dient u zich ervan te verzekeren dat deze zijn aangesloten en juist worden gebruikt. *Het gebruik van deze voorzieningen beperkt het gevaar door stof.*
- h. **Bewerk geen asbesthoudend materiaal** (asbest geldt als kankerverwekkend).
- i. **Tref veiligheidsmaatregelen, wanneer er bij werkzaamheden stoffen kunnen ontstaan, die schadelijk voor de gezondheid, brandbaar of explosief zijn** (sommige soorten stof gelden als kankerverwekkend); draag een stofmasker en gebruik een afzuiging voor stof en spanen, als deze kan worden aangesloten.

ZORGVULDIGE OMGANG MET EN ZORGVULDIG GEBRUIK VAN ELEKTRISCHE GEREEDSCHAPPEN

- a. Overbelast het gereedschap niet. Gebruik voor uw werkzaamheden het daarvoor bestemde elektrische gereedschap. *Met het passende elektrische gereedschap werkt u beter en veiliger binnen het aangegeven capaciteitsbereik.*
- b. Gebruik geen elektrisch gereedschap waarvan de schakelaar defect is. *Elektrisch gereedschap dat niet meer kan worden in- of uitgeschakeld, is gevaarlijk en moet worden gerepareerd.*
- c. Trek de stekker uit het stopcontact voordat u het gereedschap instelt, toebehoren wisselt of het gereedschap weg legt. *Deze voorzorgsmaatregel voorkomt onbedoeld starten van het gereedschap.*
- d. Bewaar niet-gebruikte elektrische gereedschappen buiten bereik van kinderen. Laat het gereedschap niet gebruiken door personen die er niet mee vertrouwd zijn en deze aanwijzingen niet hebben gelezen. *Elektrische gereedschappen zijn gevaarlijk wanneer deze door onervaren personen worden gebruikt.*
- e. Verzorg het gereedschap zorgvuldig. Controleer of bewegende delen van het gereedschap correct functioneren en niet vastklemmen en of onderdelen zodanig gebroken of beschadigd zijn dat de werking van het gereedschap nadelig wordt beïnvloed. Laat deze beschadigde onderdelen voor het gebruik repareren. *Veel ongeval-*

len hebben hun oorzaak in slecht onderhouden van elektrische gereedschappen.

- f. Houd snijdende inzetgereedschappen scherp en schoon. *Zorgvuldig onderhouden snijdende inzetgereedschappen met scherpe snijkanten klemmen minder snel vast en zijn gemakkelijker te geleiden.*
- g. Gebruik elektrisch gereedschap, toebehoren, inzetgereedschappen en dergelijke volgens deze aanwijzingen en zoals voor dit speciale gereedschapstype voorgeschreven. Let daarbij op de arbeidsomstandigheden en de uit te voeren werkzaamheden. *Het gebruik van elektrische gereedschappen voor andere dan de voorziene toepassingen kan tot gevaarlijke situaties leiden.*

SERVICE

- a. Laat het gereedschap alleen repareren door gekwalificeerd en vakkundig personeel en alleen met originele vervangingsonderdelen. *Daarmee wordt gewaarborgd dat de veiligheid van het gereedschap in stand blijft.*

VEILIGHEIDSVOORSCHRIFTEN VOOR BOVENFREZEN

ALGEMEEN

- Deze machine mag niet worden gebruikt door personen onder de 16 jaar.
- Trek altijd de stekker uit het stopcontact voordat u een instelling verandert of een accessoire verwisselt.

ACCESSOIRES

- Gebruik alleen accessoires met een toegestaan toerental, dat minstens even hoog is als het hoogste onbelaste toerental van de machine.
- Gebruik geen beschadigde of vervormde frezen.
- Gebruik alleen scherpe frezen.
- Bescherm accessoires tegen slagen, stoten, en vet.

VOÓR GEBRUIK

- Voorkom schade, die kan ontstaan door schroeven, spijkers en andere voorwerpen in uw werkstuk; verwijder deze, voordat u aan een karwei begint.
- Controleer of het voltage, dat vermeld staat op het typeplaatje van de machine, overeenkomt met de netspanning (met 230V of 240V aangeduide machines kunnen ook op 220V aangesloten worden).
- Klem het werkstuk vast, als het niet door het eigen gewicht stabiel ligt.
- Stof van materiaal zoals loodhoudende verf, sommige houtsoorten, mineralen en metaal kunnen schadelijk zijn (contact met of inademing van de stof kan allergische reacties en/of ademhalingsziekten bij gebruiker of omstanders veroorzaken); draag een stofmasker en werk met een stofopvang-voorziening als die kan worden aangesloten.
- Neem voor de door u te bewerken materialen de nationale voorschriften aangaande stofopvang in acht.
- Zorg ervoor, dat de machine is uitgeschakeld, wanneer de stekker in het stopcontact gestoken wordt.

TIJDENS GEBRUIK

- Houd het snoer altijd verwijderd van de bewegende delen van uw machine; richt het snoer naar achteren, van de machine weg.
- Gebruik de machine niet, wanneer het snoer of de voetplaat (= beschermkap) beschadigd is; laat deze door een erkende vakman vervangen.
- Blijf met uw handen en vingers uit de buurt van de frees, wanneer de machine aan staat.

- In geval van elektrische of mechanische storing, de machine onmiddellijk uitschakelen en de stekker uit het stopcontact trekken.
- Wanneer de frees geblokkeerd is, met een plotselinge reactiekracht van de machine als gevolg, de machine onmiddellijk uitschakelen.
- Als de stroom is uitgevallen of de stekker per ongeluk uit het stopcontact wordt getrokken, de machine onmiddellijk uitschakelen om ongecontroleerd herstarten te voorkomen.
- Belast de machine niet zó sterk, dat deze tot stilstand komt.

MILIEU

AFVALVERWIJDERING

Elektrische gereedschappen, toebehoren en verpakkingen moeten op een voor het milieu verantwoorde wijze worden hergebruikt.

ALLEEN VOOR LANDEN VAN DE EU



Gooi elektrische gereedschappen niet bij het huisvuil. Volgens de Europese richtlijn 2002/96/EG over elektrische en elektronische oude apparaten en de omzetting van de richtlijn in nationaal recht moeten niet meer bruikbare elektrische gereedschappen apart worden ingezameld en op een voor het milieu verantwoorde wijze worden hergebruikt.

TOEPASSINGSADVIES

- Gebruik de juiste frezen.
- Gebruik de breedtegeleider voor parallel-frezen aan de zijkant van uw werkstuk.
- Voor parallel-frezen ver van de zijkant van uw werkstuk:
 - een recht stuk hout op het werkstuk bevestigen door middel van twee klemmen;
 - de machine met vlakke zijde van voet langs het stuk hout geleiden, dat nu als breedtegeleider dienst doet.
- Bescherm uzelf tegen de gevolgen van trilling door de machine en de accessoires te onderhouden, uw handen warm te houden en uw werkwijze te organiseren.

BEDIENINGSELEMENTEN

Zie figuur 1:

- A Dremel rotatiegereedschap
- B Snelheidsregeling
- C Montagesleutel & opbergvak
- D Handgreep (draaien voor vergrendelen)
- E Opbergvak voor spanmoersleutel (sleutel niet inbegrepen)
- F Diepteschaal (inch/metrisch)
- G Hoekgeleider
- H Cirkelgeleider
- I Asblokkeringsknop
- J Handgreep (vast)
- K Onderste instelmoer
- L Diepte-aanslag
- M Bovenste instelmoer
- N Ontgrendelingsknop

MONTAGE

MONTAGE VAN PROFIELFREESHULPSTUK OP UW GEREEDSCHAP

HULPSTUK VOOR GEBRUIK MET DREMEL ROTATIEGEREEDSCHAP MODELLEN 300, 395, 398, 400, 400.

LET OP Trek de stekker uit het stopcontact vóór het monteren, instellen of wisselen van accessoires. Deze preventieve veiligheidsmaatregelen verminderen het risico van per ongeluk starten van het gereedschap.

1. Verwijder de spanmoer, verwijder vervolgens het afdekplaatje op de behuizing van uw rotatiegereedschap en leg het afdekplaatje aan de kant (afb. 2). Het afdekplaatje moet weer aangebracht worden, wanneer dit hulpstuk niet meer gebruikt wordt. Nadat het afdekplaatje op de behuizing verwijderd is, monteert u de spanmoer weer.

Zie figuur 2:

A Afdekplaatje op de behuizing

2. Plaats het gereedschap met de asblokkeringsknop naar voren wijzend in uw freeshulpstuk (zoals getoond in afb. 3).
3. Schroef de bevestigingsmoer met de klok mee op het schroefdraaddeel van uw rotatiegereedschap en draai deze stevig vast met de meegeleverde montagesleutel.

Zie figuur 3:

A Asblokkeringsknop

B Bevestigingsmoer

C Montagesleutel

BEDIENINGSAAWIJZINGEN

LET OP: Dit hulpstuk verandert het Dremel rotatiegereedschap in een profielfrees voor het met de vrije hand frezen, afkanten, maken van groeven en cirkelvormige sneden. Het freeshulpstuk is kant en klaar gemonteerd voor frezen uit de vrije hand of frezen met geleidingsaccessoire.

Af en toe schoonmaken en smeren van de geleidestangen zorgt ervoor, dat het gereedschap soepel blijft insteken. Insteekfrees indrukken en vergrendelen, en een licht smeermiddel (b.v. vaseline, zonnebloemolie) gelijkmatig op het bovenste deel van de geleidestangen aanbrengen.

LET OP

Dit freeshulpstuk is niet bestemd voor gebruik onder een bovenfrees tafelmodel of zaagtafel.

Specificaties

Zie figuur 4A.

FREES INZETTEN

De frezen worden in het gereedschap vastgehouden middels een spantangstelsel. **De frees kan ingezet worden voor of na het plaatsen van het rotatiegereedschap in het hulpstuk.**

1. Druk de asblokkeringsknop in en houd deze vast terwijl u de spanmoer en as draait. Ga door met het draaien van de spanmoer en as tot de vergrendeling vastklikt en de as vasthoudt (afb. 4).
2. Gebruik de sleutel van uw Dremel rotatiegereedschap en draai de spanmoer tegen de klok in om deze los te draaien.
3. Ontgrendel de asblokkeringsknop.
4. Zet de frees zo diep mogelijk in de spantang om te zorgen voor een goede houvast van de frees en om de uitloop tot een minimum te beperken. Zet de frees niet zo ver erin dat de freesgroeven de spantang of spanmoer raken, om afspinteren of scheuren van de frees te vermijden.

OPMERKING: Plaats het gereedschap nooit bovenop de werkbank of het werkstukoppervlak met uit de basisplaat stekende accessoire. Leg het gereedschap op zijn zijkant of trek de accessoire terug voordat u het gereedschap op de werkbank of het werkstukoppervlak legt. Uitstekend freesmes kan opspringen van het gereedschap veroorzaken.

5. Vergrendel de asblokkeringsknop weer en draai de spanmoer vast; eerst met de hand, dan met behulp van de sleutel tot de frees goed vastzit.

Zie figuur 4B:

- A Asblokkeringsknop
- B Spanmoer
- C Spanmoersleutel
- D Basisplaat

FREESDIEPTE INSTELLEN

OPMERKING: Bij het maken van diepe sneden, vooral invalsmeden weg van de rand van het werkstuk, wordt aangeraden om enkele opeenvolgende, telkens dieper wordende sneden te maken met behulp van de diepte-instelling en diepteschaal in plaats van één enkele diepe snede te maken.

De diepte-aanslag kan voor twee diepten ingesteld worden.

1. Plaats uw Dremel rotatiegereedschap en frees-inrichting op het werkstuk.
2. Draai de bovenste instelmoer omhoog en draai de onderste instelmoer omlaag, zodat de diepte-aanslag vrij bewogen kan worden (afb. 5).

Zie figuur 5:

- A Diepteaanslag
- B Bovenste instelmoer
- C Onderste instelmoer

3. Maak de vergrendelingshandgreep los (afb. 6). Laat het gereedschap langzaam zakken tot de frees het werkstuk net raakt.

Zie figuur 6:

- A Handgreep
- B Ontgrendelingsknop

4. Draai de vergrendelingshandgreep vast om het gereedschap op deze plaats vast te zetten.
5. Druk de ontgrendelingsknop in en houd deze vast, zodat de diepte-aanslag de basisplaat van de bovenfrees raakt.

Eerste freesdiepte

6. Draai de diepte-aanslag omhoog, zodat maat X overeenkomt met de eerste gewenste freesdiepte (afb. 7).

OPMERKING: 1 slag komt overeen met .06" (1,5 mm)

Zie figuur 7:

- A Diepteaanslag
- B Bovenste instelmoer

7. Draai de bovenste instelmoer omlaag vast tegen het bovenfreesframe.

Tweede freesdiepte

8. Draai de diepte-aanslag omhoog, zodat maat X overeenkomt met de tweede gewenste freesdiepte. Zorg ervoor, dat de bovenste instelmoer met de diepte-aanslag draait, zodat deze omhoog komt van het bovenfreesframe (afb. 8).

Zie figuur 8:

- A Diepteaanslag
- B Onderste instelmoer

9. Draai de onderste instelmoer omhoog vast tegen het bovenfreesframe.

OPMERKING: De bovenste instelmoer moet vast blijven staan bij het vastdraaien van de onderste instelmoer.

10. Druk op de ontgrendelingsknop voor het kiezen van de eerste of tweede freesdiepte (afb. 9).

OPMERKING: De instelling van elke freesdiepte moet gecontroleerd worden met een proefsneede en indien nodig bijgesteld worden.

Zie figuur 9:

- A Ontgrendelingsknop

Wanneer het frezen voltooid is, draait u de handgreep los en plaatst u de bovenfrees terug naar de bovenste positie.

AANZETTEN VAN BOVENFREES

Als de bovenfrees moeilijk onder controle te houden is, verhit raakt, zeer langzaam loopt of een onzuivere snede maakt, neem dan de volgende oorzaken eens in overweging:

- Verkeerde voedingsrichting – moeilijk onder controle te houden.
- Te snel aanzetten – overbelasting van motor.
- Botte accessoire – overbelasting van motor.
- Te grote snede voor één doorgang – overbelasting van motor.
- Te langzaam aanzetten – laat brandplekken door wrijving op het werkstuk achter.

Soepel en gelijkmatig aanzetten (niets forceren). U zult snel leren hoe de bovenfrees aanhoort en aanvoelt wanneer deze het beste werkt.

Voedingsnelheid

Bij het frezen of aanverwant werk in hout en kunststof worden de beste resultaten verkregen als de freesdiepte en voedingsnelheid zodanig geregeld worden dat de motor op hoge snelheid blijft werken. De voedingsnelheid van de bovenfrees moet matig zijn. Zachte materialen vereisen een hogere voedingsnelheid dan harde materialen.

De bovenfrees kan bij verkeerd gebruik of overbelasting ophouden te functioneren. Verlaag de voedingsnelheid om eventuele beschadiging van het gereedschap te vermijden. Zorg er altijd voor, dat de spanmoer voor gebruik stevig vastgedraaid is. Gebruik altijd frezen met de voor de gewenste snede noodzakelijke kortste snijlengte. Dit beperkt uitloop en trillen van de frees tot een minimum.

Randvorming

Gebruik bij randvorming altijd accessoires met geleiding of lagering. Het onderste deel van een accessoire met geleidepunt is een as zonder snijranden. Accessoires met lagering hebben een kogellager voor geleiding van de accessoire.

De geleidepunt glijdt langs de rand van het werkstuk terwijl de roterende mesbladen de snede maken, waardoor decoratieve randen ontstaan. De rand waarlangs de geleidepunt glijdt, moet perfect glad zijn, aangezien alle oneffenheden overgebracht worden naar het gevormde oppervlak.

Bij het frezen van een werkstuk waarbij een rand op het kopvlak gevormd moet worden, altijd eerst de rand op het kopvlak frezen vóór het frezen van de randen die de houtnerf volgen. Dit beperkt het risico van een eventuele beschadiging door wegspringen van materiaal aan het einde van het kopvlak tot een minimum.

Voedingsrichting van bovenfrees

De bovenfreesas draait met de klok mee, wanneer men er van bovenaf op kijkt. Zet voor de beste controle en kwaliteit van de snede het gereedschap in het werkstuk in de richting waarin de accessoire geneigd is zichzelf in het hout te trekken. Een verkeerde voedingsrichting zorgt ervoor dat de accessoire over het hout heen probeert te klimmen.

Zet het gereedschap in de hier getoonde richting aan. Bij frezen rond de hoek van een vierkant werkstuk beweegt u het gereedschap tegen de klok in. Bij het hier getoonde frezen van het binnenvlak beweegt u het met de klok mee (afb. 10).

OPMERKING: Voedingsrichting is uitermate belangrijk, wanneer een geleidingsaccessoire uit de hand op de hoek van een werkstuk wordt gebruikt.

Zie figuur 10:

- A Voedingsrichting van bovenfrees
- B Eerst kopvlak frezen
- C Accessoirerotatie

HOEKGELEIDER MONTEREN

Voor gebruik van de hoekgeleider de geleidingsstangen in de gereedschaphouder monteren en vastzetten met behulp van (2) #10-24 vierkant-moeren en (2) geleidingsstangknoppen (afb. 11). Vierkantmoer glijdt in sleuven boven de geleidingsstangen. Geleidingsstangknoppen worden van bovenaf door gaten omlaag door moeren en tegen de stangen bevestigd. Hoekgeleider aan geleidingsstangen bevestigen met behulp van hoekgeleiderknoppen en zeskantmoeren.

Plaats zeskantmoeren onder hoekgeleider en bevestig deze met hoekgeleiderknop bovenop hoekgeleider. Hoekgeleider zoals getoond over geleidingsstangen schuiven. Stel hoekgeleider op gewenste afstand van frees in en draai hoekgeleiderknoppen vast. (Zie afb. 11) Hoekgeleider wordt gebruikt voor het vormen van randen, frezen van spanningen, plinten, pengaten, tongen, groeven, sleuven en facetten. Denk eraan dat de voedingsrichting zodanig moet zijn, dat de frees geneigd is de hoekgeleider tegen het hout te trekken. Een constante voedingsnelheid zorgt voor een gladde snede. Over het algemeen moeten enkele ondiepe sneden gebruikt worden voor het vervaardigen van een diepe groef. Maximale diepte van snede is afhankelijk van het gebruikte materiaal. Niet overmatig aanzetten zodat de motor aanmerkelijk langzamer gaat lopen.

Zie figuur 11:

- A Diepte-instelschroef
- B Geleidingsstangknop
- C Vierkantmoeren
- D Geleidingsstangen
- E Hoekgeleider
- F Afwerkspijker
- G Cirkelgeleider
- H Zeskantmoeren
- I Hoekgeleiderknop

HOEKGELEIDER

Montage

1. Monteer de hoekgeleider aan de montageblokken van de profielfrees (afb. 12).

Zie figuur 12:

- A Montageblokken
- B Hoekgeleider

2. Plaats parallelgeleider tegen werkstukoppervlak met frees in gewenste positie.
3. Draai duimschroeven vast.

Frezen met hoekgeleider

Schuif de afgeplatte kant van de hoekgeleider langs het werkstukoppervlak.

CIRKELGELEIDER

Bogen en cirkels frezen

1. Verwijder de hoekgeleider en bevestig de cirkelgeleiderbeugel op de geleidingsstangen (afb. 13).

Zie figuur 13:

- A Afwerkspijker
- B Hoekgeleider

2. Gebruik de bijgevoegde afwerkspijker als middelpunt. Stel de cirkelgeleider in op de gewenste radius.
3. Plaats de spijker door het gat in de geleider en plaats de spijker in het midden van de gewenste radius die gefreesd moet worden.

MALLEN

Door het gebruik van malpatronen kunt u ontwerpen of letters keer op keer gelijkvormig dupliceren. Deze techniek vereist het gebruik van een geleidebus.

GELEIDEBUSSEN

De in afbeelding 14 getoonde geleidebus is in wezen een plaatje met een kraag die zoals getoond in het gat in de basisplaat geplaatst wordt, en bevestigd wordt door een loopbusstop bovenop de geleidebus te schroeven. De geleidebus loopt langs de rand van de mal, terwijl de frees, die aan de onderkant uitsteekt, in het werkstuk snijdt.

Zie figuur 14:

- A loopbus-stop
- B geleiding loopbus
- C basisplaat

LET OP: Zorg ervoor dat de dikte van de mal hetzelfde of groter is dan de lengte van de bus die onder uit de basisplaat steekt.

Gebruik geen frees die de binnenkant van de kraag zou kunnen raken. Kies een frees met een diameter die ten minste 2 mm kleiner is.

Speciale malen kunnen bovendien gemakkelijk vervaardigd worden voor het frezen van zich herhalende patronen, speciale ontwerpen, inlegwerk en andere toepassingen. Een malpatroon kan gemaakt worden van multiplex, hardboard, metaal of zelfs kunststof, en het ontwerp kan uitgesneden worden met een bovenfrees, decoupeerzaag of een ander geschikt snijgereedschap.

Denk eraan, dat het patroon gemaakt moet worden met inachtneming van de afstand tussen de frees en de geleidebus (de "offset"), aangezien het definitieve werkstuk met die afstand in afmeting zal verschillen van het malpatroon, vanwege de freespositie (afb. 15).

Zie figuur 15:

- A frees
- B spanmoer
- C geleidebus
- D basisplaat
- E malpatroon
- F werkstuk
- G offset

FREZEN UIT DE VRIJE HAND

Veel effecten worden verkregen door de frees uit de vrije hand te gebruiken met een bit met een kleinere diameter. Gewoonlijk tekent de vakman de door hem gewenste omtrek of letter af op het werkstuk en gebruikt de potloodlijn als geleiding.

SERVICE EN GARANTIE

Op dit DREMEL product wordt garantie verleend overeenkomstig de wettelijke/landspecifieke voorschriften; beschadiging op grond van normale slijtage, overbelasting of onjuiste bediening zijn uitgesloten van de garantie.

Stuur in geval van klachten het gereedschap *volledig intact* samen met het aankoopbewijs naar uw dealer.

CONTACT OPNEMEN MET DREMEL

Ga voor meer informatie over het Dremel assortiment, support en hotline naar www.dremel.com

Dremel Europe, Postbus 3267, 4800 DG Breda, Nederland

DK

GENEREL SIKKERHEDSVEJLEDNING



ADVARSEL LÆS ALLE INSTRUKTIONERNE.

I tilfælde af manglende overholdelse af nedenstående instrukser er der risiko for elektrisk stød, alvorlige personskader, og der kan opstå brandfare. Det benyttede begreb „el-værktøj“ refererer til netdrevne maskiner (med netkabel) og akkudrevne maskiner (uden netkabel).

DISSE INSTRUKSER BØR OPBEVARES TIL SENERE BRUG


ARBEJDSOMRÅDE

- Sørg for, at arbejdsområdet er rent og ryddeligt. *Uorden og uoplyste arbejdsområder øger faren for uheld.*
- Brug ikke maskinen i eksplosionstruede omgivelser, hvor der er brændbare væsker, gasser eller støv. *El-værktøj kan slå gnister, der kan antænde støv eller dampe.*
- Sørg for, at andre personer og ikke mindst børn holdes væk fra arbejdsområdet, når maskinen er i brug. *Hvis man distraheres, kan man miste kontrollen over maskinen.*

ELEKTRISK SIKKERHED

- Maskinens stik skal passe til kontakten. Stikket må under ingen omstændigheder ændres. Brug ikke adapterstik sammen med jordforbundne maskiner. *Uædrede stik, der passer til kontakterne, nedsætter risikoen for elektrisk stød.*
- Undgå kropskontakt med jordforbundne overflader som f.eks. rør, radiatorer, komfurer og køleskabe. *Hvis din krop er jordforbundet, øges risikoen for elektrisk stød.*
- Maskinen må ikke udsættes for regn eller fugt. *Indtrængning af vand i maskinen øger risikoen for elektrisk stød.*
- Brug ikke kablet til formål, den ikke er beregnet til (f.eks. må man aldrig bære maskinen i kablet, hænge maskinen op i kablet eller rykke i kablet for at trække stikket ud af kontakten). Beskyt kablet mod varme, olie, skarpe kanter eller maskindele, der er i bevægelse. *Beskadigede eller indviklede kabler øger risikoen for elektrisk stød.*
- Hvis maskinen benyttes i det fri, må der kun benyttes en forlængerledning, der er godkendt til udendørs brug. *Brug af forlængerledning til udendørs brug nedsætter risikoen for elektrisk stød.*
- Hvis det ikke kan undgås at bruge maskinen i fugtige omgivelser, skal der bruges et HFI-relæ. *Brug af et HFI-relæ reducerer risikoen for at få elektrisk stød.*

PERSONLIG SIKKERHED

- Det er vigtigt at være opmærksom, se, hvad man laver, og bruge maskinen fornuftigt. Man bør ikke bruge maskinen, hvis man er træt, har nydt alkohol eller er påvirket af medicin eller euforiserende stoffer. *Få sekunders uopmærksomhed ved brug af maskinen kan føre til alvorlige personskader.*
-  Brug beskyttelsesudstyr, og hav altid beskyttelsesbriller på. *Brug af beskyttelsesudstyr, f. eks. støvmaske og skridsikret fodtøj, (afhængigt af el-værktøjets type og anvendelsesområde) reducerer risikoen for kvæstelser.*
- Undgå utilsigtet igangsætning. Kontrollér altid, at el-værktøjet er slukket, før stikket sættes i. *Undgå at bære maskinen med fingeren på afbryderen og sørg for, at maskinen ikke er tændt, når den sluttes til nettet, da dette øger risikoen for personskader.*
- Fjern indstillingsværktøj eller skrueøgler, inden maskinen tændes. *Hvis et stykke værktøj eller en nøgle sidder i en roterende maskindel, er der risiko for personskader.*
- Overvurder ikke dig selv. Sørg for at stå sikkert, mens der arbejdes, og kom ikke ud af balance. Det er derved nemmere at kontrollere maskinen, hvis der skulle opstå uventede situationer.
- Brug egnet arbejdstøj. *Undgå løse beklædningsgenstande eller smykker. Hold hår, tøj og handsker væk fra dele, der bevæger sig. Dele, der er i bevægelse, kan gribe fat i løstsiddende tøj, smykker eller langt hår.*
- Hvis støvudsugnings- og opsamlingsudstyr kan monteres, er det vigtigt, at dette tilsluttes og benyttes korrekt. *Brug af dette udstyr nedsætter risikoen for personskader som følge af støv.*
- Arbejd ikke med asbestholdige materialer** (asbest kan fremkalde kræft)
- De nødvendige sikkerhedsforanstaltninger skal følges, da der kan frembringes støv under arbejdet, som kan være sundhedsskadeligt, brandfarligt eller eksplosivt** (visse typer kan være kræftfremkaldende). Brug en støvmaske og et støv/spånudkast, hvis dette kan kobles til.

OMHYGGELIG BRUG OG HÅNDTERING AF EL-VÆRKTØJ

- Overbelast ikke maskinen. Brug altid en maskine, der er beregnet til det stykke arbejde, der skal udføres. *Med den rigtige maskine arbejder man bedst og mest sikkert inden for det angivne effektområde.*
- Brug ikke en maskine, hvis afbryder er defekt. *En maskine, der ikke kan startes og stoppes, er farlig og skal repareres.*
- Træk stikket ud af stikkontakten, inden maskinen indstilles, der skiftes tilbehør, eller maskinen lægges fra. *Disse sikkerhedsforanstaltninger forhindrer utilsigtet start af maskinen.*
- Opbevar ubenyttet el-værktøj uden for børns rækkevidde. Lad aldrig personer, der ikke er fortrolige med maskinen eller ikke har gennemlæst disse instrukser, benytte maskinen. *El-værktøj er farligt, hvis det benyttes af ukyndige personer.*
- Maskinen bør vedligeholdes omhyggeligt. Kontrollér om bevægelige dele fungerer korrekt og ikke sidder fast, og om delene er brækket eller beskadiget, således at maskinens funktion påvirkes. Få beskadigede dele repareret, inden maskinen tages i brug. *Mange uheld skyldes dårligt vedligeholdte maskiner.*
- Sørg for, at skæreværktøjer er skarpe og rene. *Omhyggeligt vedligeholdte skæreværktøjer med skarpe skærekanter sætter sig ikke så hurtigt fast og er nemmere at fære.*
- Brug el-værktøj, tilbehør, indsatsværktøj osv. iht. disse instrukser, og sådan som det kræves for denne specielle værktøjstype. Tag hensyn til arbejdsforholdene og det arbejde, der skal udføres. *I tilfælde af anvendelse af værktøjet til formål, som ligger uden for det fastsatte anvendelsesområde, kan der opstå farlige situationer.*

SERVICE

- a. Sørg for, at maskinen kun repareres af kvalificerede fagfolk, og at der kun benyttes originale reservedele. *Dermed sikres størst mulig maskinsikkerhed.*

SIKKERHEDSINSTRUKSER FOR OVERFRÆSER

GENERELT

- Dette værktøj må ikke bruges af personer under 16 år.
- Fjern altid først stikket fra kontakten, før De foretager nogle ændringer eller skifter tilbehør.

TILBEHØR

- Der må kun benyttes tilbehør, hvis godkendte omdrejningstal er mindst så højt som værktøjets max. omdrejningstal i ubelastet tilstand.
- Anvend aldrig beskadigede eller deformerede fræsejern.
- Anvend kun skarpe fræsejern.
- Beskyt tilbehør mod slag, stød og fedt.

INDEN BRUG

- Undgå skader forårsaget af skruer, søm eller andre materialer i arbejdsstykket; fjern disse før De begynder at arbejde.
- Kontrollér altid at forsyningsspændingen er den samme som den spænding, der er anført på værktøjets navneskilt (værktøj med betegnelsen 230V eller 240V kan også tilsluttes til 220V).
- Spænd arbejdsstykket fast, hvis det ikke holder sig stille under sin egen vægt.
- Sløv fra materiale som f.eks. maling, der indeholder bly, nogle træsorter, mineraler og metal kan være skadeligt (kontakt med eller indånding af støvet kan forårsage allergiske reaktioner og/eller sygdomme i luftvejene hos den, der anvender værktøjet, eller hos omkringsstående); bær en støvmaske og arbejd med en støvudsugningsanordning, hvor en sådan kan sluttes til.
- Følg de nationale krav, hvad angår støv, for de materialer, du ønsker at arbejde med.
- Sørg for at der er slukket for værktøjet, når stikket sættes i stikkontakten.

UNDER BRUG

- Hold altid ledningen væk fra værktøjets bevægelige dele; før altid ledningen bagud, væk fra værktøjet.
- Brug ikke værktøjet, hvis kablet eller sålen (= beskyttelseskærmen) er beskadiget; få det skiftet ud af en anerkendt fagmand.
- Hold hænder og fingre væk fra fræsejernet, mens fræsere er tilsluttet stikkontakten.
- I tilfælde af elektrisk eller mekanisk fejlfunktion skal afbryderen straks afbrydes og stikket tages ud af kontakten.
- Hvis fræsejernet bliver blokeret, hvilket medfører rykkende kræfter på værktøjet, skal man omgående slukke for værktøjet.
- I tilfælde af strømafrydelse eller når stikket ved et uheld trækkes ud af stikkontakten, skal man omgående slukke for værktøjet for at forhindre utilsigtet start.
- Påfør ikke så meget tryk på værktøjet, at det standser.

MILJØ

BORTSKAFFELSE

El-værktøj, tilbehør og emballage skal genbruges på en miljørigtig måde.

GÆLDER KUN I EU-LANDE



Smid ikke el-værktøj ud sammen med det almindelige husholdningsaffald!

Iht. det europæiske direktiv 2002/96/EF om affald af elektrisk og elektronisk udstyr skal kasseret elektrisk udstyr indsamles separat og genbruges iht. gældende miljøforskrifter.

GODE RÅD

- Brug rigtige fræsejern.
- Til parallel fræsning ved kanten af arbejdsstykket anvendes sidestyret.
- Ved parallel fræsning på arbejdsstykket med stor afstand til kanten:
 - fastspænd et lige stykke træ på arbejdsstykket ved hjælp af 2 tvinger;
 - styr værktøjet med sålen langs kanten af træstykket der nu fungerer som sidestyrt.
- Beskyt dig selv imod virkningerne af vibrationer ved at vedligeholde værktøjet og dets tilbehør, ved at holde dine hænder varme og ved at organisere dine arbejdsmønstre.

BETJENINGSKONTAKTER

Se fig. 1:

- A** Dremel rotationsværktøj
- B** Hastighedsregulering
- C** Monteringsnøgle og depot
- D** Håndgreb (kan låses ved drejning)
- E** Depot til spændenøgle (nøgle medfølger ikke)
- F** Dybdeskala (engelsk/metrisk)
- G** Kantsstyrer
- H** Cirkelstyrer
- I** Knap til aksellås
- J** Håndgreb (stationært)
- K** Justeringsmøtrik, nederst
- L** Dybdestop
- M** Justeringsmøtrik, øverst
- N** Udløserknap

SAMLING

SÅDAN MONTERER DU OVERFRÆSERFORSATSEN PÅ VÆRKTØJET

TILBEHØR TIL BRUG MED DREMEL ROTATIONSVÆRKTØJ, MODEL 300, 395, 398, 400, 4000.

⚠ ADVARSEL Afbryd stikket til rotationsværktøjet, før du samler, justerer eller skifter tilbehøret.

Sådanne forebyggende foranstaltninger reducerer risikoen for, at værktøjet startes uti ldstiget.

1. Fjern spændemøtrikken og derefter dækslet til huset, og læg dækslet til side (fig. 2). Du skal genmontere dækslet til huset, når du ikke bruger tilbehøret. Når du har fjernet dækslet til huset, skal du sætte spændemøtrikken på igen.

Se fig. 2:

- A** Dæksel til hus
2. Monter værktøjet i overfræserforsatsen, så knappen til aksellåsen peger fremad som vist (fig. 3).
 3. Skru monteringsmøtrikken på rotationsværktøjets gevindskårne del i urets retning, og spænd den godt fast ved hjælp af den medfølgende monteringsnøgle.

Se fig. 3:

- A Knap til aksellås
- B Monteringsmøtrik
- C Monteringsnøgle

BETJENINGSVEJLEDNING

BEMÆRK! Med dette tilbehør forvandles Dremel rotationsværktøjet til en overfræser til frihånds-fræsning, kantfræsning, notfræsning og cirkulær udskæring. Overfræserforsatsen leveres samlet og klar til frihåndsoverfræsning eller fræsning med bor med styrehoved. Jævnlig rengøring og smøring af styresøjlerne sikrer, at stemplet fungerer optimalt. Tryk overfræseren nedad, lås den fast, og påfør et tyndt smøremiddel (f.eks. petroleum eller madolie) på den øverste del af styresøjlerne.



ADVARSEL

Overfræserforsatsen er ikke beregnet til brug under et fræser- eller savbord.

Specifikationer

Se fig. 4A.

SÅDAN ISÆTTER DU FRÆSEBITTEN

Fræsebitten fastlåses til værktøjet ved hjælp af et patronsystem.

Du kan både montere bitten før og efter, du har monteret rotationsværktøjet i forsatsen.

1. Tryk knappen til aksellåsen ned, og hold den nede, mens du drejer spændemøtrikken og akslen. Fortsæt med at dreje spændemøtrikken og akslen, indtil låsen går i indgreb og holder akslen fast (fig. 4).
2. Tag nøglen fra Dremel rotationsværktøjet, og drej spændemøtrikken mod uret for at løse den.
3. Udløs knappen til aksellåsen.
4. Sæt en fræsebit i værktøjspatronen, indtil den ikke kan komme længere, så du er sikker på, at bitten sidder godt fast og ikke falder ud. Undlad at skubbe bitten så langt ind, at rillen i bitten rører ved patronen eller spændemøtrikken, da den i så fald kan hoppe og gå i stykker.

BEMÆRK! Anbring aldrig værktøjet, så bitten stikker ud gennem sålen og ned på bænken eller arbejdsoverfladen. Læg værktøjet på siden, eller træk bitten tilbage, før du sætter det tilbage på bænken eller arbejdsfladen. Hvis en skærebit stikker ud gennem sålen, kan værktøjet hoppe.

5. Tryk på knappen til låseakslen igen, og spænd spændemøtrikken – først med hånden og derefter med nøglen, så bitten sidder godt fast.

Se fig. 4B:

- A Knap til aksellås
- B Spændemøtrik
- C Nøgle til spændemøtrik
- D Sål

SÅDAN JUSTERER DU FRÆSEDYBDE

BEMÆRK! Når du laver dybe snit, herunder især fræsensnit væk fra kanten af arbejdsområdet, anbefales det, at du laver flere mindre snit efter hinanden ved hjælp af dybdeskalaen i stedet for ét dybt snit. Dybdestoppet kan indstilles i to dybder.

1. Anbring Dremel rotationsværktøjet og overfræserforsatsen på arbejdsområdet.
2. Drej den øverste justeringsmøtrik opad og den nederste justeringsskrue nedad, indtil du kan bevæge dybdestoppet (fig. 5).

Se fig. 5:

- A Dybdestop
- B Justeringsmøtrik, øverst
- C Justeringsmøtrik, nederst

3. Løsn håndgrebet (fig. 6). Sænk forsigtigt værktøjet, indtil fræsebitten netop berører arbejdsområdet.

Se fig. 6:

- A Håndgreb
- B Udløserknap

4. Spænd håndgrebet, så værktøjet går i indgreb.
5. Tryk på udløserknappen, og hold den nede, så dybdestoppet rører ved overfræserens sål.

1. fræsedybde

6. Drej dybdestoppet opad, så målet X svarer til den første ønskede fræsedybde (fig. 7).

BEMÆRK! 1 omdrejning svarer til 1,5 mm

Se fig. 7:

- A Dybdestop
- B Justeringsmøtrik, øverst

7. Drej den øverste justeringsmøtrik nedad imod overfræserens ramme.

2. fræsedybde

8. Drej dybdestoppet opad, så målet X svarer til den anden ønskede fræsedybde. Kontrollér, at den øverste justeringsmøtrik drejer med dybdestoppet, så den hæver sig fra overfræserens ramme (fig. 8).

Se fig. 8:

- A Dybdestop
- B Justeringsmøtrik, nederst

9. Drej den nederste justeringsmøtrik opad imod overfræserens ramme.

BEMÆRK! Den øverste justeringsmøtrik må ikke bevæges, når du spænder den nederste justeringsmøtrik.

10. Tryk på udløserknappen for at vælge den 1. eller 2. fræsedybde (fig. 9).

BEMÆRK! Du bør kontrollere indstillingen af hver fræsedybde ved at foretage et prøvesnit og om nødvendigt ændre indstillingen.

Se fig. 9:

- A Udløserknap

Når du har afsluttet fræsningen, skal du løse håndgrebet og flytte overfræseren tilbage i den øverste position.

SÅDAN FØRER DU OVERFRÆSEREN IND

Hvis overfræseren er vanskelig at styre, bliver varm, kører meget langsomt eller laver et unøjagtigt snit, kan det skyldes tre forhold:

- Forkert fremføringsretning – gør overfræseren vanskelig at styre.
- For hurtig fremføring – overbelaster motoren.
- Sløv bit – overbelaster motoren.
- For langt snit til én arbejdsgang – overbelaster motoren.
- For langsom fremføring – efterlader brændemærker på arbejdsområdet.

Før overfræseren fremad med en blød og jævn bevægelse (brug ikke unødigt kraft). Du finder hurtigt ud af, hvordan overfræseren skal lyde og føles for at virke optimalt.

Fremføringshastighed

Når du fræser eller udfører tilsvarende arbejde i træ og plast, opnår du den bedste finish, hvis du indstiller skæredybden og

fremføringshastighe-den, så motoren kører med høj hastighed. Før overfræseren ind ved moderat hastighed. Bløde materialer kræver en hurtigere fremføringshastighed end hårde.

Overfræseren kan sætte sig fast, hvis den bruges forkert eller overbelastes. Reducer fremføringshastigheden, så værktøjet ikke beskadiges. Kontrollér altid, at spændemøtrikken er spændt korrekt, før du bruger værktøjet. Brug altid en fræsebit med det kortest mulige skær til et givent projekt. På den måde minimeres risikoen for, at fræsebitten falder ud og vibrerer.

Sådan former du kanter

Når du former kanter, skal du altid bruge bits med styrehoved eller lejer. Den nederste del af en bit med styrehoved består af en aksel uden skær. Bit med lejer er forsynet med et kugleleje, der styrer bitten. Styret kører langs kanten af arbejdsemnet, mens den roterende klinger laver snit og dekorative kanter. Den kant, som styret skal køre langs, skal være helt glat, da alle ujævnheder overføres til arbejdsemnet. Når du fræser et arbejdsemne, der skal kantformes på tværnsnitsiden, skal du altid fræse enden af tværnsnitsiden, før du fræser de kanter, der følger årene. På den måde minimeres risikoen for skader forårsaget af udblæsninger fra enden af tværnsnitsiden.

Fremføringsretning

Overfræsersens spindel roterer med uret, når man ser den oppefra. Fremfør fræseren i emnet i den retning, som bitten trækker sig selv ind i træet i, så du opnår god kontrol over emnet og et pænt snit. Hvis du anvender en forkert fremføringsretning, vil bitten "klatre" overtræet. Fremfør værktøjet i den viste retning. Hvis du fræser langs kanten af et firkantet arbejdsemne, skal du bevæge værktøjet mod uret. Hvis du fræser i den indvendige retning, som vist, skal du bevæge værktøjet med uret (fig. 10).

BEMÆRK! Fremføringsretningen er meget vigtig, når du bruger en bit med styrehoved til frihånds-fræsning langs kanten af et arbejdsemne.

Se fig. 10:

- A Fremføringsretning
- B Fræs altid tværnsnitsiderne først
- C Bittens rotationsretning

SÅDAN SAMLER DU KANTSTYREREN

Hvis du bruger kantstyrer, skal du sætte styrestængerne ind i værktøjsholderen og spænde dem fast med (2) #10-24 firkantmøtrikker og (2) styregreb (fig. 11).

Firkantmøtrikken glider ind i slidserne over styrestængerne.

Styregrebene monteres fra toppen gennem hullerne, ned gennem møtrikkerne og mod stængerne. Spænd kantstyreren fast til styrestængerne med grebene og sekskantmøtrikkerne.

Placer sekskantmøtrikkerne under kantstyreren, og fastgør dem med styregrebet øverst på kantstyreren. Sæt kantstyreren på styrestængerne som vist. Indstil kantstyreren i den ønskede afstand fra fræsebitten, og spænd styregrebene. (Se fig. 11)

Kantstyreren bruges til at forme kanter, skære fals, taphuller, noter, tunger, riller, slidser og affasninger. Husk at fremføre fræseren, så skærebitten trækker kantstyreren mod træet. En regelmæssig fremføringshastighed giver en glat udskæring.

Generelt bør du lave flere små snit, når du vil lave én dyb rille. Den maksimale dybde på udskæringen afhænger af det anvendte materiale. Fremfør ikke fræseren så hurtigt, at motorens hastighed sænkes mærkbart.

Se fig. 11:

- A Dybdejusteringsskrue
- B Greb til styrestang
- C Firkantmøtrikker
- D Styrestænger
- E Kantstyrer
- F Efterbehandlingsøm

- G Cirkelstyrer
- H Sekskantmøtrikker
- I Greb til kantstyrer

KANTSTYRER

Montering

1. Monter kantstyreren i monteringsbeslagene på overfræseren (fig. 12).

Se fig. 12:

- A Monteringsbeslag
- B Kantstyrer

2. Anbring parallelstyret mod overfladen af arbejdsemnet med fræsebitten i den ønskede position.
3. Spænd vingeskruerne.

Sådan fræser du kanter med kantstyreren

Skub den flade side af kantstyreren frem langs arbejdsemnet.

CIRKELSTYRER

Sådan fræser du buer og cirkler

1. Fjern kantstyreren, og monter cirkelstyrerens beslag på styrestængerne (fig. 13).

Se fig. 13:

- A Efterbehandlingsøm
- B Kantstyrer

2. Brug det medfølgende efterbehandlingsøm som omdrejningspunkt. Indstil cirkelstyreren på den ønskede radius.
3. Sæt sømmet igennem huller i styreren, og anbring sømmet midt i den radius, du vil udskære.

SKABELONER

Ved hjælp af skabeloner kan du kopiere former eller bogstaver ensartet. Denne teknik kræver brug af en styrebøsning.

STYREBØSNINGER

Den styrebøsning, der er vist i (fig. 14), er grundlæggende en plade med en krave, der indsættes i huller i fodpladen som vist og fastgøres ved at skrue en bøsningholder fast øverst på styrebøsningen. Styrebøsningen kører langs skabelonens kant, mens skærebitten, der stikker ud forinden, skærer sig ind i emnet.

Se fig. 14:

- A Bøsningholder
- B Styr Bøsning
- C Fodplade

BEMÆRK! Kontrollér, at skabelonen er af samme tykkelse eller tykkere end længden af den bøsning, der stikker ud under fodpladen.

Undlad at bruge en bit, der kan røre patronens indvendige sider. Vælg en bit, der er mindst 2 mm mindre i diameter.

Du kan desuden nemt fremstille specielle skabeloner til gentagen skæring af bestemte mønstre, specielle former, intarsia og andre mønstre. Du kan fremstille skabelonen af krydsfiner, træfiberplade, metal eller endda plast, og du kan udskære formen med en overfræser, en stiksv eller et andet egnet skæreværktøj.

Husk at tage højde for afstanden mellem skærebitten og styrebøsningen ("forskydningen"), når du skærer skabelonmønstret ud, da det færdigbearbejdede emne vil adskille sig i størrelse fra skabelonmønstret med netop denne afstand som følge af bittens placering (fig. 15).

Se fig. 15:

- A Fræserbit
- B Møtrik til spændepatrone
- C Styrebøsning
- D Fodplade
- E Skabelonmønster
- F Emne
- G Forskydning

FRIHÅNDSKÆRING

Du kan lave mange forskellige effekter ved at anvende overfræseren til frihåndsskæring med en bit med lille diameter. En håndværker tegner normalt arbejdsområdet op med en blyant og anvender blyantstregen som styr.

SERVICE OG GARANTI

Dette DREMEL produkt er dækket af garanti, som det er foreskrevet af de gældende lokale love og bestemmelser. Garantien dækker dog ikke skader som følge af normal slitage, overbelastning eller forkert håndtering af værktøjet.

I tilfælde af reklamation skal værktøjet sendes *samlet (ikke adskilt)* til forhandleren sammen med købsbeviset.

KONTAKT DREMEL

Du kan få mere information om Dremels udvalg, support og hotline på www.dremel.com.

Dremel Europe, P.O. Box 3267, 4800 DG Breda, Holland

S ALLMÄNNA SÄKERHETSANVISNINGAR



⚠ VARNING LÄS ALLA INSTRUKTIONER. Fel som uppstår till följd av att

anvisningarna nedan inte följts kan orsaka elstöt, brand och/eller allvarliga kroppsskador. Begreppet "elverktyg" i alla varningar nedan syftar på det nätanslutna elverktyget.

TA VÅL VARA PÅ ANVISNINGARNA

HÅLL ARBETSPLATSEN

- a. Ren och välbelyst. Ordning på arbetsplatsen och dåligt belyst arbetsområde kan leda till olyckor.
- b. Använd inte elverktyget i explosionsfarlig omgivning med brännbara vätskor, gaser eller damm. Elektriska verktyg avger gnistor som kan antända damm eller gas.
- c. Håll under arbetet med elverktyget barn och obehöriga personer på tryggande avstånd. Risken för olyckor ökar om du förlorar koncentrationen när du arbetar.

ELEKTRISK SÄKERHET

- a. Elverktygets stickpropp måste passa till vägguttaget. Stickproppen får absolut inte ändras. Använd inte adapterkontakter tillsammans med skyddsjordade elverktyg. Oförändrade stickproppar och passande vägguttag reducerar risken för elstöt.
- b. Undvik kroppskontakt med jordade ytor som t. ex. rör, värmeelement, spisar och kylskåp. Det finns en större risk för elstöt om din kropp är jordad.
- c. Skydda elverktyget mot regn och väta. Tränger vatten in i ett elverktyg ökar risken för elstöt.

- d. Missbruka inte nätsladden och använd den inte för att bära eller hänga upp elverktyget och inte heller för att dra stickproppen ur vägguttaget. Håll nätsladden på avstånd från värme, olja, skarpa kanter och rörliga maskindelar. Skadade eller tilltrasslade ledningar ökar risken för elstöt.
- e. När du arbetar med ett elverktyg utomhus använd endast förlängningsladdar som är godkända för utomhusbruk. Om en lämplig förlängningsladd för utomhusbruk används minskar risken för elstöt.
- f. Använd en jordfelsbrytare om det inte är möjligt att undvika elverktygets användning i fuktig miljö. Genom att använda en jordfelsbrytare minskas risken för elstöt.

PERSONSÄKERHET

- a. Var uppmärksam, kontrollera vad du gör och använd elverktyget med förnuft. Använd inte elverktyget när du är trött eller om du är påverkad av droger, alkohol eller mediciner. En ögonblicks uppmärksamhet när du arbetar med elverktyg kan orsaka allvarliga personskador.
- b.  Bär alltid personlig skyddsutrustning och skyddsglasögon. Användning av personlig skyddsutrustning som t. ex. dammfiltermask, halkfria säkerhetsskor, skyddshjälm och hörselskydd reducerar alltefter elverktygets typ och användning risken för kroppsskada.
- c. Undvik oavsiktlig igångsättning. Kontrollera att elverktyget har kopplats från innan du ansluter stickproppen till vägguttaget. Om du bär elverktyget med fingret på strömställaren eller ansluter påkopplat elverktyg till nätsströmmen kan olycka uppstå.
- d. Ta bort alla inställningsverktyg och skruvnycklar innan du kopplar på elverktyget. Ett verktyg eller en nyckel i en roterande komponent kan medföra kroppsskada.
- e. Luta eller sträck dig inte när du arbetar. Se till att du står stadigt och håller balansen. Då kan du lättare kontrollera elverktyget i oväntade situationer.
- f. Bär lämpliga arbetskläder. Bär inte löst hängande kläder eller smycken. Håll håret, kläderna och handskarna på avstånd från rörliga delar. Löst hängande kläder, långt hår och smycken kan dras in i av roterande delar.
- g. Vid elverktyg med dammutsugnings- och -uppsamlingsutrustning kontrollera att anordningarna är rätt monterade och att de används på korrekt sätt. Dessa anordningar reducerar faroriskerna i samband med damm.
- h. **Asbesthaltigt material får inte bearbetas** (asbest anses vara cancerframkallande).
- i. **Vidta skyddsåtgärder om risk finns för att hälsovadligt, brännbart eller explosivt damm uppstår under arbetet** (vissa damm klassificeras som cancerframkallande ämnen); använd en dammfilt mask och om möjligt damm-/spånutsugning.

KORREKT ANVÄNDNING OCH HANTERING AV ELVERKTYG

- a. Överbelasta inte elverktyget. Använd för aktuellt arbete avsett elverktyg. Med ett lämpligt elverktyg kan du arbeta bättre och säkrare inom angivet effektområde.
- b. Ett elverktyg med defekt strömställare får inte längre användas. Ett elverktyg som inte kan kopplas in eller ur är farligt och måste repareras.
- c. Dra stickproppen ur vägguttaget innan inställningar utförs, tillbehörsdelar byts ut eller elverktyget lagras. Denna skyddsåtgärd förhindrar oavsiktlig start av elverktyget.
- d. Förvara elverktygen oåtkomliga för barn. Låt inte elverktyget användas av personer som inte är förtrogna med dess användning eller inte läst denna anvisning. Elverktygen är farliga om de används av oerfarna personer.
- e. Sköt elverktyget omsorgsfullt. Kontrollera att rörliga komponenter fungerar felfritt och inte kärvar, att komponenter inte brustit eller

skadats; orsaker som kan leda till att elverktygets funktioner påverkas menligt. Låt skadade delar repareras innan elverktyget tas i bruk. *Många olyckor orsakas av dåligt skötta elverktyg.*

- f. Håll skärverktygen skarpa och rena. *Omsorgsfullt skötta skärverktyg med skarpa eggar kommer inte så lätt i kläm och går lättare att styra.*
- g. Använd elverktyget, tillbehör, insatsverktyg osv. enligt dessa anvisningar och på sätt som föreskrivits för aktuell verktygsmodell. Ta hänsyn till arbetsvillkoren och arbetsmomenten. *Används elverktyget på icke ändamålsenligt sätt kan farliga situationer uppstå.*

SERVICE

- a. Låt en kvalificerad servicetekniker utföra service på elverktyget. Endast identiska reservdelar bör användas. *Det säkerställer att elverktyget fortsätter att fungera säkert.*

SÄKERHETSANVISNINGAR FÖR ÖVERFRÄSER

ALLMÄNT

- Den här maskinen ska inte användas av personer under 16 år.
- Dra alltid ur stickkontakten från väggurtaget innan du gör någon justering eller byter tillbehör.

TILLBEHÖR

- Använd endast tillbehör vilkas tillåtna varvtal åtminstone motsvarar maskinens högsta tomgångsvarvtal.
- Använd inte skadade eller deformerade fräs.
- Använd endast skarpa fräs.
- Skydda tillbehören från slag, stötar och fett.

FÖRE ANVÄNDNINGEN

- Undvik skador genom att ta bort skruvar, spikar eller andra föremål ur arbetsstycket; ta dem bort innan du startar ett arbete.
- Kontrollera alltid att den tillförda strömtypen stämmer med spänningen som anges på maskinens märkplåt (maskiner med beteckningen 230V eller 240V kan även anslutas till 220V).
- Spänn fast arbetsstycket om det inte ligger kvar av sin egen tyngd.
- Viss typ av damm, exempelvis färg som innehåller bly, vissa träsorter, mineraler och metaller kan vara hälsovådliga om de inhaleras (hudkontakt eller inhalering kan ge allergisk reaktion och/eller luftvägsproblem/sjukdom hos personer i närheten); använd andningsskydd och arbeta med en dammuppsamlare om sådan anslutning finns.
- Följ de nationella krav, som finns angående damm, för de material du skall arbeta med.
- Se till att maskinen är avstängt innan du sätter i kontakten.

UNDER ANVÄNDNINGEN

- Håll alltid sladden på säkert avstånd från rörliga maskindelar; för sladden bakåt bort från maskinen.
- Använd ej maskinen om sladden eller botten (= skyddsmekanismen) är trasig; låt den byta ut av en kvalificerad person.
- Håll händer och fingrar borta från fräsen när maskinen är igång.
- I händelse av onormala elektriska eller mekaniska störningar, stäng genast av maskinen och dra ur stickkontakten.
- Om fräsen blockeras så att maskinen utsätts för ryckande krafter, måste maskinen genast stängas av.

- Om det blir strömavbrott eller kontakten dras ut av misstag stäng genast av maskinen för att förhindra att det startar igen oavsiktligt.
- Utöva inte så mycket tryck på maskinen att den stannar.

MILJÖ

AVFALLSHANTERING

Elverkty, tillbehör och förpackning ska omhändertas på miljövänligt sätt för återvinning.

ENDAST FÖR EU-LÄNDER



Släng inte elverktyg i hushållsavfallet!
Enligt europeiska direktivet 2002/96/EG för kasserade elektriska och elektroniska apparater och dess modifiering till nationell rätt måste obrukbara elverktyg omhändertas separat och på miljövänligt sätt lämnas in för återvinning.

ANVÄNDNINGSTIPS

- Använd rätt fräs.
- Vid fräsning parallellt med kanten på ditt arbetsmaterial använd sidoanslag.
- Vid fräsning parallellt långt ifrån kanten på ditt arbetsmaterial:
 - sätt fast en rak träbit på arbetsmaterialet med 2 tvingar;
 - sätt maskinen med bottenplattan längs kanten på träbiten, vilken nu fungerar som ett sidoanslag.
- Skydda dig mot vibration genom att underhålla verktyget och dess tillbehör, hålla händerna varma och styra upp ditt arbets sätt.

KONTROLLANORDNINGAR

Se bild 1:

- A** Dremel-rotationsverktyg
- B** Varvtalskontroll
- C** Monteringsnyckel och förvaringsplats
- D** Handgrepp (vrid för att låsa)
- E** Förvaringsplats för nosmutternyckel (nyckel ingår inte)
- F** Djupmätt (brittisk/metrisk)
- G** Kantguide
- H** Cirkelguide
- I** Skafftlåsknapp
- J** Handgrepp (fast)
- K** Nedre ställskruv
- L** Djupstopp
- M** Övre ställskruv
- N** Lösövringsknapp

MONTERING

MONTERA DYKFRÄSTILLSATSEN PÅ MASKINVERKTYGET

TILLSATSEN KAN ANVÄNDAS MED DREMELS ROTATIONSVERKTYG 300, 395, 398, 400, 4000.



VARNING Dra ut stickproppen från strömkällan före allt monterings- och justeringsarbete, samt innan du byter tillbehör. På så vis minskar du risken för att verktyget startas av misstag.

1. Ta bort nosmuttern, ta sedan bort spänn-hylskåpan från maskinverktyget och lägg den åt sidan (bild 2). Montera spännhylskåpan igen när tillsatsen inte används. När du har tagit bort kåpan skruvar du fast nosmuttern.

Se bild 2:

A Spännhylskåpa

- Placera verktyget i frästillsatsen med skaftlåsknappen vänd framåt som bild 3 visar.
- Skruva fast monteringsmuttern medsols i rotationsverktygets gängor och dra åt den med den medföljande nyckeln.

Se bild 3:

- A** Skaftlåsknapp
B Monteringsmutter
C Monteringsnyckel

ARBETSINSTRUKTIONER

OBSERVERA: Den här tillsatsen omvandlar ditt Dremel-verktyg till en dykfräs som du kan använda för kant-, spår- och cirkelfräsnig på fri hand. Frästillsatsen är färdigmonterad för frihands- eller styrbitfräsning.

Regelbunden rengöring och smörjning av styrstängerna bibehåller dykrörelsens smidighet. Sänk och läs fast dykfräsen och applicera ett jämnt lager av något lätt smörjmedel (t.ex. vaselin eller matolja) på styrstängernas övre del.



VARNING

Frästillsatsen är inte avsedd att användas under en fräs eller ett kapbord.

Specifikationer

Se bild 4A.

SÄTTA IN FRÄSBITS

Fräsbiten hålls på plats i verktyget med en spännhylsa. **Du kan montera biten antingen före eller efter det att du monterar verktyget i tillsatsen.**

- Tryck ner och håll kvar skaftlåsknappen, samtidigt som du vrider nosmuttern och axeln. Fortsätt att vrida nosmuttern och skaftet tills låset tar och håller kvar skaftet (bild 4).
- Lossa nosmuttern genom att vrida den motsols med hjälp av Dremel-verktygets nyckel.
- Släpp skaftlåsknappen.
- Sätt in fräsbiten i spännhylsan så långt som möjligt, så att den sitter säkert. Sätt inte in biten så långt att någon annan del än bitskaftet vidrör spännhylsan eller nosmuttern, eftersom det kan leda till att biten skadas.
OBSERVERA: Placera aldrig verktyget så att biten sticker ut genom arbetsytan eller arbetsbänken. Lägg verktyget på sidan eller dra in biten innan du lägger ner verktyget. Utstickande skärbits kan leda till att verktyget hoppar.
- Tryck in skaftlåsknappen och dra åt nosmuttern, först för hand och sedan med nyckeln till biten sitter fast.

Se bild 4B:

- A** Skaftlåsknapp
B Nosmutter
C Nosmutternyckel
D Bas

STÄLLA IN FRÄSDJUPET

OBSERVERA: När du fräser på stora djup, särskilt när du dykf räser bort från arbetsytans kant, rekommenderar vi att du gör flera snitt som stegvis blir djupare (använd djupinställningen och -mättet) istället för att göra ett enda djupt snitt.

Djupbegränsaren kan ställas in på två olika djup.

- Placera Dremel-rotationsverktyget och frästillsatsen på arbetsstycket.

- Vrid den övre ställskruven uppåt och den nedre ställskruven nedåt så att djupstoppet kan röra sig fritt (bild 5).

Se bild 5:

- A** Djup-stop
B Övre ställskruv
C Nedre ställskruv

- Lossa låshandgreppet (bild 6). Sänk verktyget sakta tills fräsen precis vidrör arbetsstycket.

Se bild 6:

- A** Handgrepp
B Lösgörningsknapp

- Vrid åt låshandgreppet för att låsa fast verktyget.
- Tryck in och håll kvar lösgörningsknappen så att djupstoppet vidrör fräsens bas.

Fräsdjup 1

- Vrid djupstoppet uppåt så att mått X är detsamma som det första önskade fräsdjupet (bild 7).

OBSERVERA: 1 varv = 1,5 mm (0,06 tum)

Se bild 7:

- A** Djup-stop
B Övre ställskruv

- Vrid den övre ställskruven nedåt så att den ligger tätt mot fräsramen.

Fräsdjup 2

- Vrid djupstoppet uppåt så att mått X är detsamma som det andra önskade fräsdjupet. Kontrollera att den övre ställskruven vrids sig tillsammans med djupstoppet, så att den förs bort från fräsramen (bild 8).

Se bild 8:

- A** Djup-stop
B Nedre ställskruv

- Vrid den nedre ställskruven uppåt så att den ligger tätt mot fräsramen.

OBSERVERA: Den övre ställskruven ska inte röra sig när du drar åt den nedre ställskruven.

- Tryck på lösgörningsknappen för att välja fräsdjup 1 eller 2 (bild 9).

OBSERVERA: Kontrollera varje inställt fräsdjup med provsnitt och efterjustera vid behov.

Se bild 9:

- A** Lösgörningsknapp

Lossa handgreppet och återställ fräsen till toppläget när du har fräst klart.

FLYTTA FRÄSEN

Om fräsen är svärstörd, hettas upp, går mycket sakta eller gör ojämn snitt kan det bero på följande saker:

- Fel matningsriktning – svärstörd.
- För snabb matning – överbelastar motorn.
- Slö eller slitna bit – överbelastar motorn.
- För stort snitt – överbelastar motorn.
- För långsam matning-brännmärken på arbetsstycket.

Mata fräsen jämnt och stadigt (använd bara lite kraft). Du lär dig snart hur det hörs och känns när fräsen arbetar optimalt.

Matningshastighet

När du fräser eller utför motsvarande arbete i trä eller plast får du bäst finish om snittdjupet och matningshastigheten anpassas så att motorn roterar med hög hastighet. Mata fräsen med måttlig hastighet. Mata snabbare i mjuka material och långsammare i hårda material. Fräsen kan stanna om den överbelastas eller används på fel sätt. Minska matningshastigheten för att minska riskerna för att verktyget skadas. Kontrollera alltid att nosmuttern är ordentligt åtdragen innan du börjar fräsa. Använd fräser med en längd som är precis tillräcklig för det önskade snittet, eftersom det minimerar oljud och ger bättre kontroll.

Kanträsning

Använd alltid bits med styrtapp eller lagerbits vid kanträsning. Den nedre delen av en bit med styrtapp är ett skaft utan skåreggar. Lagerbits är försedda med ett kullager som hjälper till att styra dem. Styrtappen glider längs arbetsstyckets kant, samtidigt som det roterande bladet utför själva snittet. Den kan som styrtappen glider längs ska vara så slät som möjligt, eftersom eventuella ojämnheter avspeglas i snittet. När du fräser i ett arbetsstycke, och behöver fräsa tvärs mot fiberriktningen längs en kant (ändträ), ska du alltid fräsa ändträet innan du fräser de tilliggande kanterna. Det minskar risken för att stickor lossnar från ändträet och orsakar skador.

Fräsriktning

Sedd ovanifrån roterar frässpindeln med-sols. För bästa kontroll och snittkvalitet ska du mata verktyget i arbetsstycket i en sådan riktning att biten gräver sig in i träet. En felaktig matningsriktning leder till att biten tenderar att klättra upp ur och över träet.

Mata verktyget i den riktning som visas. Vid skärning längs en kant på fyrkantiga arbetsstycken ska du flytta verktyget i moturs riktning. Vid fräsning av invändiga ytor ska du flytta verktyget medurs (bild 10).

OBSERVERA: Matningsriktningen är mycket viktig när du använder en bit med styrtapp och fräser på fri hand längs kanten av ett arbetsstycke.

Se bild 10:

- A Fräsriktning
- B Fräs ändträet först
- C Bitrotation

MONTERA KANTGUIDEN

När du använder kantguiden monterar du styrtavarna i verktygshållaren och fäster dem med 2 st fyrkantsmuttrar #10-24 och 2 st styrtavskruvar (bild 11).

Fyrkantsmuttrarna placeras du i spåren ovanför styrtavarna. Styrtavskruvarna sänks ner uppifrån i hålen, genom muttrarna och mot stavarna. Fäst kantguiden till styrtavarna med styrtavskruvarna och sexkantsmuttrarna.

Leta upp sexkantsmuttrarna på kantguidens undersida och fäst dem med kantguideskruvarna på kantguidens ovasida. Skjut in kantguidedettsatsen på styrtavarna enligt bilden.

Placera kantguiden på önskat avstånd från fräsen och dra åt kantguideskruvarna. (Se bild 11)

Kantguiden använder du när du ska forma kanter, skära sponter, bröstlister, noter, tungor, räfflor, spår och kälror. Kom ihåg att mata i en sådan riktning att fräsen tenderar att dra kantguiden mot träet. En jämn matningshastighet leder till jämna snitt.

I allmänhet är det bättre att göra flera grunda snitt när du vill skära på stora djup. Det maximala skärddjupet varierar med materialet. Mata inte så fort att motorn roterar märkbart långsammare.

Se bild 11:

- A Djupställskruv
- B Styrtavskruv
- C Fyrkantsmuttrar
- D Styrtav
- E Kantguide
- F Centrerspik
- G Cirkelguide
- H Sexkantsmuttrar
- I Kantguideskruv

KANTGUIDE

Montering

1. Montera kantguiden mot dykfrästil lsatsens monteringsblock (bild 12).

Se bild 12:

- A Monteringsblock
- B Kantguide

2. Placera parallellguiden mot arbetsytan med fräsen i önskad position.
3. Dra åt fingerskruvarna.

Fräsa med kantguiden

Skjut kantguidens plana sida längs arbetsytan.

CIRKELGUIDE

Fräsa bågar och cirklar

1. Ta bort kantguiden och fäst cirkelguide-hållaren i styrtavarna (bild 13).

Se bild 13:

- A Centrerspik
- B Kantguide

2. Använd den medföljande centrerspiken som medelpunkt. Ställ in cirkelguiden till önskad radie.
3. Sätt spiken i guidens hål och placera den i mitten av radien på det önskade snittet.

MALLAR

Med hjälp av mallar kan du kopiera bilder eller bokstäver som blir exakt likadana varje gång. Då behöver du en styrhylsan.

STYRHYLSOR

Styrhylsan (bild 14) består huvudsakligen av en platta med en kraging, som sätts in i hålet i maskinens bas som på bilden och fästs med en plugg som sätts fast ovanpå styrhylsan. Styrhylsan följer mallens kant, medan fräsningens biten, som sticker ut nedtill, skär in i arbetsstycket.

Se bild 14:

- A Hylsplugg
- B Styrhylsan
- C Bas

OBS! Se till att mallen är minst lika tjock som den del av hylsan som sticker ut under basen.

Använd inte bits som kan vidröra insidan av kragingen. Välj en bit som har åtminstone 2 mm mindre diameter.

Det är lätt att tillverka speciella mallar för mönster som du vill upprepa, special mönster, inläggningar och andra tillämpningar. En mönstermall kan du tillverka av plywood, fiberplattor, metall eller till och med plast. Du kan säga ut mönstret med en överfräs, en figursåg eller något annat skärverktyg.

Kom ihåg att du måste ta med avståndet mellan fräsbiten och styryhlsan ("förskjutningen") när du säger ut mönstret, eftersom det färdiga resultatet kommer att skilja sig lika mycket från mallen p.g.a. bitens position (bild 15).

Se bild 15:

- A Fräsbit
- B Nosmutter
- C Styryhlsa
- D Bas
- E Mönstermall
- F Arbetsstycket
- G Förskjutning

FRIHANDSFRÅSNING

Du kan skapa många fina effekter genom fri-handsfräsning med en liten bit. Hantverkare ritår ofta upp ett mönster på arbetsstycket med en blyertspenna och arbetar sedan utifrån blyertsstrecket.

SERVICE OCH GARANTI

Denna DREMEL-produkt omfattas av garanti enligt lagstadgade/lands-specifika regler. Skador orsakade av normalt slitage, överbelastning eller felaktig användning täcks inte av garantin.

Skicka vid reklamation det odemonterade verktyget samt inköpsbevis till återförsäljaren.

KONTAKTA DREMEL

Mer information om Dremels sortiment, support och hotline finns på www.dremel.com

Dremel Europe, P.O. Box 3267, 4800 DG Breda, Nederländerna

N GENERELLE SIKKERHETSINSTRUKSJONER



⚠ ADVARSEL LES GJENNOM ALLE ANVISNINGENE. Feil ved

overholdelsen av nedenstående anvisninger kan medføre elektriske støt, brann og/eller alvorlige skader. Det nedenstående anvendte uttrykket "elektroverktøy" gjelder for strømledende elektroverktøy (med ledning).

TA GODT VARE PÅ DISSE INSTRUKSJONENE

ARBEIDSOMRÅDE

- a. Hold arbeidsområdet rent og ryddig. *Rotete arbeidsområder og arbeidsområder uten lys kan føre til ulykker.*
- b. Ikke arbeid med maskinen i eksplosjonsutsatte omgivelser - der det finnes seg brennbare væsker, gass eller støv. *Elektroverktøy lager gnister som kan antenne støv eller damper.*
- c. Hold barn og andre personer unna når elektroverktøyet brukes. *Hvis du blir forstyrret under arbeidet, kan du miste kontrollen over maskinen.*

ELEKTRISK SIKKERHET

- a. Støpselet til maskinen må passe inn i stikkkontakten. Støpselet må ikke forandres på noen som helst måte. Ikke bruk adapterstøpsler sammen med jordede maskiner. *Bruk av støpsler som ikke er forandret på og passende stikkontakter reduserer risikoen for elektriske støt.*
- b. Unngå kroppskontakt med jordede overflater slik som rør, ovner, komfyrer og kjøleskap. *Det er større fare ved elektriske støt hvis kroppen din er jordet.*
- c. Hold maskinen unna regn eller fuktighet. *Dersom det kommer vann i et elektroverktøy, øker risikoen for elektriske støt.*
- d. Ikke bruk ledningen til andre formål, f. eks. til å bære maskinen, henge den opp eller trekke den ut av stikkkontakten. Hold ledningen unna varme, olje, skarpe kanter eller maskindeler som beveger seg. *Med skadede eller opphopede ledninger øker risikoen for elektriske støt.*
- e. Når du arbeider utendørs med et elektroverktøy, må du kun bruke en skjoteledning som er godkjent til utendørs bruk. *Når du bruker en skjoteledning som er egnet for utendørs bruk, reduseres risikoen for elektriske støt.*
- f. Hvis det ikke kan unngås å bruke elektroverktøyet i fuktige omgivelser, må du bruke en jordfeilbryter. *Bruk av en jordfeilbryter reduserer risikoen for elektriske støt.*

PERSONSIKKERHET

- a. Vær oppmerksom, pass på hva du gjør, gå fornuftig frem når du arbeider med et elektroverktøy. Ikke bruk maskinen når du er trett eller er påvirket av narkotika, alkohol eller medikamenter. *Et øyeblikks uoppmerksomhet ved bruk av maskinen kan føre til alvorlige skader.*
- b.  Bruk personlig verneutstyr og husk alltid å bruke vernebriller. Bruk alltid vernebriller. *Bruk av personlig sikkerhetsutstyr som støvmaske, skilfaste arbeidssko, hjelm eller hørselvern - avhengig av type og bruk av elektroverktøyet - reduserer risikoen for skader.*
- c. Unngå å starte verktøyet ved en feiltagelse. Forvis deg om at elektroverktøyet er slått av før du setter støpselet inn i stikkkontakten. *Hvis du holder fingeren på bryteren når du bærer maskinen eller kobler maskinen til strømmen i innkoblet tilstand, kan dette føre til uhell.*
- d. Fjern innstillingsverktøy eller skrunøkler før du slår på elektroverktøyet. *Et verktøy eller en nøkkel som befinner seg i en roterende maskindel, kan føre til skader.*
- e. Ikke overvurder deg selv. Sørg for å stå stødig og i balanse. Sørg for at du har godt fotteste og god balanse hele tiden. *Dermed kan du kontrollere maskinen bedre i uventede situasjoner.*
- f. Bruk alltid egnede klær. Ikke bruk vide klær eller smykker. Hold hår, tøy og hansker unna deler som beveger seg. *Løstsittende tøy, smykker eller langt hår kan komme inn i deler som beveger seg.*
- g. Hvis det kan monteres støvavsug- og oppsamlingsinnretninger, må du forvisse deg om at disse er tilkoblet og brukes på korrekt måte. *Bruk av disse innretningene reduserer farer på grunn av støv.*
- h. **Bearbeid ikke asbestholdig materiale** (asbest er kreftfremkaldende).
- i. **Trøf de nødvendige foranstaltninger, hvis sundhedsskadeligt, brændbart eller eksplosivt støv kan opstå under arbejdet** (noget støv kan være kreftfremkaldende); brug en støvbeskyttelsesmaske samt en støv-/spåneopsugning, hvis en sådan kan tilsluttes.

OMHYGGELIG BRUK OG HÅNDTERING AV ELEKTROVERKTØY

- Ikke overbelast verktøyet. Bruk et elektroverktøy som er beregnet til den type arbeid du vil utføre. *Med et passende elektroverktøy arbeider du bedre og sikrere i det angitte effektområdet.*
- Ikke bruk elektroverktøy med defekt på-/avbryter. *Et elektroverktøy som ikke lenger kan slås av eller på, er farlig og må repareres.*
- Trekk støpselet ut av stikkkontakten før du utfører innstillinger på maskinen, skifter tilbehørsdeler eller legger maskinen bort. *Disse tiltakene forhindrer en utilsikket startung av maskinen.*
- Elektroverktøy som ikke er i bruk må oppbevares utilgjengelig for barn. Ikke la maskinen brukes av personer som ikke er fortrolig med dette eller ikke har lest disse anvisningene. *Elektroverktøy er farlige når de brukes av uerfarne personer.*
- Vær nøye med vedlikeholdet av maskinen. Kontroller om bevegelige maskindeler fungerer feilfritt og ikke klemmes fast, og om deler er brukket eller skadet, slik at dette innvirker på maskinens funksjon. La disse skadede delene repareres før maskinen brukes. *Dårlig vedlikeholdte elektroverktøy er årsaken til mange ulykker.*
- Hold skjærevrktøyene skarpe og rene. *Godt stelte skjærevrktøy med skarpe skjær setter seg ikke så ofte fast og er lettere å føre.*
- Bruk elektroverktøy, tilbehør, verktøy osv. i henhold til disse anvisningene og slik det er foreskrevet for denne spesielle maskintypen. Ta hensyn til arbeidsforholdene og arbeidet som skal utføres. *Bruk av elektroverktøy til andre formål enn det som er angitt, kan føre til farlige situasjoner.*

SERVICE

- Maskinen din skal alltid kun repareres av kvalifisert fagpersonale og kun med originale reservedeler. *Slik opprettholdes maskinens sikkerhet.*

SIKKERHETSANVISNINGER FOR FRES

GENERELL

- Verktøyet må ikke brukes av personer under 16 år.
- Ta alltid ut kontakten før du forandrer innstillinger på saken eller skifter tilbehør.

TILBEHØR

- Bruk kun tilbehør med et godkjent turtall som er minst like høyt som verktøyet høyeste tomgangsturtall.
- Bruk aldri fresestål som er sprukket eller deformert.
- Bruk kun skarpe fresestål.
- Beskytt tilbehøret mot slag, støt og fett.

FØR BRUK

- Unngå skade p.g.a. skruer, spiker eller andre elementer i arbeidsstykket; fjernes før man starter jobben.
- Sjekk alltid at tilført spenningen er den samme som oppgitt på verktøyet merkeplate (verktøy som er betegnet med 230V eller 240V kan også tilkoples 220V).
- Spenn fast arbeidsstykket i tilfelle det ikke holdes på plass av sin egen vekt.
- Støv fra materialer som blyholdig maling, visse tresorter, mineraler og metall kan være skadelig (kontakt med eller inhalering av støv kan gi allergiske reaksjoner og/eller sykdommer i åndedrettsorganene for brukeren eller personer i nærheten); bruk støvmaske og arbeid med støvfjerningsutstyr når det er mulig.
- Følg de nasjonale krav, når det gjelder støv for de materialer du ønsker å arbeide med.
- Forsikre deg om at verktøyet er slått av når støpselet settes inn.

UNDER BRUK

- Hold alltid kabelaen borte fra bevegelige deler på verktøyet; før kabelaen bakover bort fra verktøyet.
- Bruk ikke verktøyet dersom kabel eller sål (= vernet) er skadet; få den skiftet ud af en anerkendt fagmand.
- Hold hender og fingre borte fra fresestålet når verktøyet er slått på.
- I tilfelle en elektrisk eller mekanisk svikt, skal verktøyet med en gang slås av og støpslet trekkes ut.
- I tilfelle fresestålet blokkeres, som kan gjøre at verktøyet rykker, må verktøyet slås av med en gang.
- I tilfelle strømbrudd, eller hvis støpselet trekkes ut tilfeldig, slå straks av verktøyet for å hindre ukontrollert gjenstart.
- Sett ikke så mye press på verktøyet at det stopper rotasjonen.

MILJØ

DEPONERING

Elektroverktøy, tilbehør og emballasje må leveres inn til miljøvennlig gjenvinning.

KUN FOR EU-LAND



Ikke kast elektroverktøy i vanlig søppe! Jf. det europeiske direktivet 2002/96/EF vedr. gamle elektriske og elektroniske-apparater og tilpassingen til nasjonale lover må gammelt elektroverktøy som ikke lenger kan brukes samles inn og leveres inn til en miljøvennlig resirkulering.

BRUKER TIPS

- Bruk riktig fresestål.
- Før kutt parallelt med kanten av arbeidsstykket bruk sidestiller.
- Før kutt parallelt i arbeidsstykket langt fra kanten:
 - fest da et stykke tre ved hjelp av 2 klemmer;
 - før verktøyet med sålen mot kanten av trestykket som da fungerer som sidestiller.
- Beskytt deg selv mot virkningene av vibrasjoner ved å vedlikeholde verktøyet og utstyret, holde hendene varme og.

BETJENINGSKONTROLLER

Se fig. 1:

- A Dremel Roterende verktøy
- B Hastighetskontroll
- C Monteringsnøkkel og lagerområde
- D Håndgrep (drei for å låse)
- E Lagringsområde for skrunøkkel for mutter til spennhylse (Skrunøkkel er ikke inkludert)
- F Dybdeskala (engelsk/metrisk)
- G Kantføring
- H Sirkelføring
- I Spindellåsknapp
- J Håndgrep (stasjonær)
- K Justeringsmutter, nedre
- L Dybdestopp
- M Justeringsmutter, øvre
- N Utløser-knapp

MONTERING

MONTERE NØKKElhULLFRESFORSATS PÅ VERKTØYET

FORSATS TIL BRUK MED DREMEL ROTERENDE VERKTØY MODELL 300, 395, 398, 400, 4000.



ADVARSEL Koble støpselet fra strømkilden før du foretar montering, justering eller bytter

fres. Slike forebyggende sikkerhetstiltak reduserer risikoen for verktøyet starter opp ved et uhell.

1. Fjern spennhylsemutteren, fjern deretter verktøykappen fra det roterende verktøyet og legg den til side (Fig. 2). Verktøykappen må installeres på nytt når denne forsatsen ikke brukes. Når verktøykappen er fjernet, monterer du spennhylsemutteren på nytt.

Se fig. 2:

A Verktøykappe

2. Plasser verktøyet i fresforsatsen med spindellåsknappen vendt fremover slik det vises i fig. 3.
3. Skru mutteren med klokken på den gjengede delen av det roterende verktøyet og trekk godt til med den medfølgende monteringsnøkkelen.

Se fig. 3:

A Spindellås-knapp

B Mutter

C Monteringsnøkkel

BRUKSANVISNING

VIKTIG: Dette fresen forandrer Dremel roterende verktøy til en nøkkelhull-fres til bruk ved frihåndsfresing og til å lage kanter, spor og runde kutt. Fresforsatsen leveres ferdigmontert, klar til frihåndsfresing og styrt fresing. Regelmessig rengjøring og smøring av føringen vil gjøre profilskjæring enklere. Trykk ned og lås nøkkelhullfresen, og smør på et jevnt lag med smøremiddel (for eksempel vaselin, matolje) på den øverste delen av føringen.



ADVARSEL Denne fresforsatsen er ikke beregnet for bruk under et fresebord eller en sag.

Spesifikasjoner

Se fig. 4A.

SETTE I FRESTILBEHØRET

Frestilbehøret festes i verktøyet ved hjelp av et spennhylsesystem.

Fresen kan installeres før eller etter at det roterende verktøyet er installert i forsatsen.

1. Trykk inn og hold spindellåsknappen mens du roterer spennhylsen og spindel. Fortsett å rotere spennhylsen og spindelen til låsen festes og holder spindelen (fig. 4).
2. Bruk skrunøkkel fra Dremel og skru spennhylsen mot klokken for å løse den.
3. Slipp spindellåsknappen
4. Sett inn frestilbehøret så dypt som mulig for å sikre nok grep på fresen og minimere slitasje. Ikke sett fresen så langt inn at fresen kommer nær spennhylsen eller spennhylsemutteren. Dermed unngår du skraper i fresen.

MERK: Plasser aldri verktøyet slik at fresen stikker ut gjennom sokkelen på benken eller arbeidsflaten. Legg verktøyet på siden eller trekk inn fresen før du setter det fra deg på en benk eller arbeidsflaten. Hvis skjærefresen stikker ut, kan det fære til at verktøyet hopper.

5. Fest spindellåsknappen og stram spennhylsen, først for hånd, deretter ved hjelp av skrunøkkel til fresen er festet godt.

Se fig. 4B:

A Spindellåsknapp

B Chuckmutter

C Nøkkel til spennhylsemutter

D Underdel

JUSTERE FRESEDYBDE

MERK: Når du skjærer dypt, særlig nedsenkingskutt vekk fra kanten av arbeids-stykket, anbefales det at du lager flere etterfølgende kutt som stadig blir dypere ved hjelp av dybdejusteringen og dybdeskalaen i stedet for å lage ett dypt kutt.

Dybdebegrensningen kan justeres for to dybder.

1. Plasser Dremel roterende verktøy og freser på arbeidsstykket.
2. Vri øvre justeringsmutter oppover og nedre justeringsmutter nedover slik at dybde-stoppen kan flyttes (fig. 5).

Se fig. 5:

A Dybde-stopp

B Øvre justeringsmutter

C Nedre justeringsmutter

3. Løse låsehåndgrepet (fig. 6). Senk verktøyet sakte til frestilbehøret såvidt kommer nær arbeidsstykket.

Se fig. 6:

A Håndhåndtak

B Utløser-knapp

4. Stram låsehåndgrepet for å låse verktøyet på plass.

5. Trykk og hold inne utløserknappen slik at dybdestoppen kommer nær fressokkelen.

1. fresedybde

6. Vri dybdestoppen oppover slik at målet X tilsvarer den første ønskede fresedybden (fig. 7).

MERK: 1 omdreining tilsvarer 1,5 mm

Se fig. 7:

A Dybdestopp

B Øvre justeringsmutter

7. Vri den øvre justeringsmutteren ned tett mot fresrammen.

2. fresedybde

8. Vri dybdestoppen oppover slik at målet X tilsvarer den andre ønskede fresedybden. Kontroller at den øvre justeringsmutteren dreies med dybdestoppen slik at den heves fra fresrammen (fig. 8).

Se fig. 8:

A Dybdestopp

B Nedre justeringsmutter

9. Vri den nedre justeringsmutteren opp tett mot fresrammen.

MERK: Den øvre justeringsmutteren må være i ro når du strammer den nedre justeringsmutteren.

10. Trykk på utløserknappen for å velge 1. eller 2. fresedybde (fig. 9).

MERK: Justeringen av hver fresedybde bør kontrolleres med et forsøkskutt og justeres på nytt hvis nødvendig.

Se fig. 9:

A Utløserknapp

Når fresingen er fullført, løsner du håndgrepet og tar fresen tilbake til øverste posisjon.

FØRE FRESEN

Hvis fresen er vanskelig å kontrollere, varmes opp, kjører svært sakte eller kutter feil, kan du vurdere disse årsakene:

- Feil materetning – vanskelig å kontrollere.

- Føres for raskt – overbelaster motor.
- Sløv fres – overbelaster motor.
- Kuttet for stort for én omgang – overbelaster motor.
- Føres for sakte – gir friksjonsmerker på arbeidsstykket.

Før jevnt og stabilt (ikke bruk kraft). Du lærer raskt hvordan fresen høres ut og føles når den arbeider best.

Fremføringshastighet

Når du freser eller gjør lignende arbeid på tre og plast, får du best resultat hvis skjæredybden og fremføringshastigheten reguleres for å holde motoren i gang med høy hastighet. Før fresen i moderat hastighet. Myke materialer trenger raskere fremføringshastighet enn hardt materiale.

Fresen kan stanse hvis den brukes feil eller overbelastes. Reduser fremføringshastigheten for å hindre mulig skade på verktøyet. Kontroller alltid at spennhyslen er festet godt før bruk. Bruk alltid fres med kortest mulig skjærelengde som er nødvendig for å oppnå ønsket kutt. Dette minimerer slitasje og rykking i frestilbehøret.

Kantforming

Når du former kanter bør du alltid bruke freser med styretapp eller opplagring. Den nedre delen av fres med styretapp er en spindel uten skjærekanten. Opplagrede tilbehør har et kulelager til å styre fresen. Styretappen gir langs kanten av arbeidet mens de roterende skjærene kutter, slik at det blir dekorative kanter. Kanten som styretappen gir langs, blir jevn siden eventuelle uregelmessigheter overføres til den formede overflaten.

Når du freser et arbeidsstykke som krever kantforming på endeveden, bør du alltid fresse tverrvevskanten før du freser kantene som følger strukturen i materialet. Dette minimerer faren for skade på grunn av oppsplitting på slutten av endeveden.

Fremføringsretning på overfres

Fresspindelen beveges med klokken når den ses ovenfra. For best mulig skjærekontroll og -kvalitet, fører du verktøyet inn i arbeidsstykket i den retningen som fresen selv dras inn i treet. Feil fremføringsretning fører til at fresen forsøker å vandre over treet. Før verktøyet i den retningen som er vist her. Hvis du skjærer rundt kanten på et firkantet stykke, flytter du verktøyet mot klokken. Hvis du freser på innsiden av flaten slik det vises, flytter du med klokken (fig. 10).

MERK: Fremføringsretningen er svært viktig når du bruker en frihånds forberingsbits på kanten av et arbeidsstykke.

Se fig. 10:

- A Fremføringsretning på overfres
- B Fres påtværs av fiberretningen først
- C Fresrotering

MONTERE KANTFØRINGEN

For kantføring setter du styrestengene inn i verktøyholderenheten og sikrer den ved hjelp av (2) firkantmutre nr. 10-24 og (2) styrestangknapper (fig. 11).

Firkantmutteren skyves inn i sporene over styrestengene. Styrestangknapper monteres fra toppen gjennom hullene ned gjennom boltene og mot stengene. Fest kantføringen til kantstengene ved hjelp av kantføringsknapper og sekskantede hodemuttre.

Plasser de sekskantede hodemuttrene under kantføringen og fest med kantføringsknapp på overflaten av kantføringen. Skyv kantføringsenheten på styrestengene som vist.

Plasser kantføringen i ønsket avstand fra kutteren, og stram kantføringsknappene. (Se fig. 11)

Kantføring brukes til å forme kanter, skjære dørfalser, brystpanel, tapphull, spor, riller og faser. Husk å føre frem fresen slik at den drar kantføringen mot treet. En jevn fremføring gir jevn kutting.

Generelt bør det brukes flere kutt som ikke er dype, når du ønsker et dypt spor. Maksimal kuttedybde varierer alt etter hvilket materiale

som brukes. Ikke før fresen for fort frem slik at motoren går betydelig saktere.

Se fig. 11:

- A Dybdejusteringskrue
- B Styrestangknapp
- C Firkantmutter
- D Styrestenger
- E Kantføring
- F Dykkerter
- G Sirkelføring
- H Sekskantede hodemuttre
- I Kantføringsknapp

KANTFØRING

Installasjon

1. Installer kantføring på monteringsblokker for nøkkelhullfresen (fig. 12).

Se fig. 12:

- A Montere blokker
- B Kantføring

2. Plasser parallellanleggsskinnen mot arbeidsflaten med frestilbehøret i ønsket posisjon.
3. Stram vingeskruene.

Fresing med kantføring

Skyv den flate siden av kantføringen langs arbeidsflaten.

SIRKELFØRING

Frese buer og sirkler

1. Fjern kantføringen og fest sirkelføringen til styrestengene (fig. 13).

Se fig. 13:

- A Dykkerter
- B Kantføring

2. Bruk den medfølgende dykkeren som kompasstrek. Still inn sirkelføringen på ønsket radius.
3. Før spikeren gjennom huller i føringen og sett spikeren i midten av den ønskede radiusen som skal skjæres.

SJABLONER

Ved å bruke sjabloner kan du kopiere mønstre eller bokstaver likt gang på gang. Denne teknikken krever at du bruker en føringshylse.

FØRINGSHYLSER

Føringshylsen vist i (fig. 14) er ganske enkelt en plate med en krage som føres inn i huller i sokkelen som vist, og sikres ved at det træs en hylseplugg over føringshylsen. Føringshylsen går langs kanten av sjablonen mens fresen, som stikker ut nedenfor, skjærer inn i emnet.

Se fig. 14:

- A Hylseplugg
- B Føringshylse
- C Sokkel

VIKTIG: Påse at tykkelsen på sjablonen er frihånds-fresing med et bor med liten diameter, den samme som eller lengre enn hylsen som Vanligvis tegner håndverkeren opp ønsket stikker ut under sokkelen.

Bruk ikke en fres som kan komme borti innsiden av kragen. Velg en fres som er minst 2 mm mindre i diameter.

Det finnes dessuten spesielle sjabloner som enkelt kan legges til rette for å skjære gjentatte mønstre, spesialformer, innlegg og andre applikasjoner. Et sjablonmønster kan lages av kryssfiner, limtre, metall eller til og med plast, og formen kan skjæres ut med fres, stikksag eller annet egnet skjæreverktøy.

Husk at mønsteret må kompensere for avstanden mellom fresti i behøret og føringshylsen (forskryvning), siden det ferdige produktet ikke vil ha samme størrelse som sjablon-mønsteret på grunn av frestens plassering (fig. 15).

Se fig. 15:

- A Fres
- B Mutter til spennhylse
- C Føringshylse
- D Sokkel
- E Sjablonmønster
- F Emne
- G Forskryvning

FRIHÅNDSFRESING

Du kan lage mange effekter ved å bruke frihåndsfresing med et bor med liten diameter. Vanligvis tegner håndverkeren opp ønsket utkast på arbeidsstykket og bruker blyantstrekene som rettesnor.

SERVICE OG GARANTI

Garantien for dette DREMEL-produktet gis i henhold til lovfestede/landsspesifikke lover og forskrifter. Skader grunnet normal slitasje, overbelastning eller feil bruk dekkes ikke av garantien.

Dersom du ønsker å klage på produktet, tar du med verktøyet i *montert stand* sammen med kjøpsbevis til forhandleren.

KONTAKTE DREMEL

Hvis du ønsker flere opplysninger om Dremels produktvalg, brukerstøtte og hotline, kan du se på www.dremel.com

Dremel Europe, Postboks 3267, 4800 DG Breda, Nederland

FIN

YLEISET TURVALLISUUSOHJEET



VAROITUS

KAIKKI OHJEET TULEE LUKEA.

Alla olevien ohjeiden noudattamisen laiminlyönti saattaa johtaa sähköiskun, tulipaloon ja/ tai vaka-vaan loukkaantumiseen. Seuraavassa käytetty käsite "sähkötyökalu" käsittää verkkokäyttöisiä sähkötyökaluja (verkkojohdolla).

SÄILYÄ NÄMÄ OHJEET

TYÖPAIKKA

- a. Pidä työskentelyalue puhtaana ja hyvin valaistuna. *Työpaikan epäjärjestys ja valaisemattomat työalueet voivat johtaa tapaturmiin.*
- b. Älä työskentele sähkötyökalulla räjähdysalttiissa ympäristössä, jossa on palavaa nestettä, kaasua tai pölyä. *Sähkötyökalu muodostaa kipinöitä, jotka saattavat sytyttää pölyn tai höyryt.*
- c. Pidä lapset ja sivulliset loitolla sähkötyökalua käytettäessä. *Voit menettää laitteesi hallinnan, huomioisi suuntautuessa muualle.*

SÄHKÖTURVALLISUUS

- a. Sähkötyökalun pistotulpan tulee sopia pisto-*rasiaan*. Pistotulppaa ei saa muuttaa millään tavalla. Älä käytä mitään pistorasia-adaptoreita maadoitettujen sähkötyökalujen kanssa. *Alkuperäisessä kunnossa olevat pistotulpat ja sopivat pistorasiat vähentävät sähköiskun vaaraa.*
- b. Vältä koskettamasta maadoitettuja pintoja, kuten putkia, pattereita, liesiä tai jääkaappeja. *Sähköiskun vaara kasvaa, jos kehosi on maadoitettu.*
- c. Älä aseta sähkötyökalua alttiiksi sateelle tai kosteudelle. *Veden tunkeutuminen sähkötyökalun sisään kasvattaa sähköiskun riskiä.*
- d. Älä käytä verkkojohtoa väärin. Älä käytä sitä sähkötyökalun kantamiseen, ripustamiseen tai pistotulpan irrottamiseen pistorasiasta vetämällä. Pidä johto loitolla kuumuudesta, öljystä, terävistä reunoista ja liikkuvista osista. *Vahingoittuneet tai sokeutuneet johdot kasvattavat sähköiskun vaaraa.*
- e. Käytettäessä sähkötyökalua ulkona, käytä ainoastaan ulkokäyttöön soveltuvaa jatkajohtoa. *Ulkokäyttöön soveltuvan jatkajohdon käyttö pienentää sähköiskun vaaraa.*
- f. Jos sähkötyökalun käyttö kosteassa ympäristössä ei ole vältettävissä, tulee käyttää maavuotokatkaisijaa. *Maavuotokatkaisijan käyttö vähentää sähköiskun vaaraa.*

HENKILÖTURVALLISUUS

- a. Ole valpas, kiinnitä huomiota työskentelyysi ja noudata tervettä järkeä sähkötyökalua käytettäessä. Älä käytä laitetta, jos olet väsynyt tai huumeiden, alkoholin tahi lääkkeiden vaikutuksen alaisena. *Hetken tarkkaamattomuus sähkötyökalua käytettäessä, saattaa johtaa vakavaan loukkaantumiseen.*
- b.  Käytä suojavarusteita. Käytä aina suojalaseja. *Henkilökohtaisen suojavarustuksen käyttö, kuten pölynaamarin, luistamattomien turvakken-kien, suojakypärän tai kuulonsuojaimien, riippuen sähkötyökalun lajista ja käytötavasta, vähentää loukkaantumisriskiä.*
- c. Vältä tahatonta käynnistämistä. Varmista, että sähkötyökalu on poiskytketty, ennen kuin liität pistotulpan pistorasiaan. *Jos kannat sähkötyökalua sormi käynnistyskytkimellä tai kytket sähkötyökalun pistotulpan pistorasiaan, käynnistyskytkimen ollessa käyntiasennossa, altistaa itsesi onnettomuudelle.*
- d. Poista kaikki säätötyökalut ja ruuvitallat, ennen kuin käynnistät sähkötyökalun. *Työkalu tai avain, joka sijaitsee laitteen pyörivässä osassa, saattaa johtaa loukkaantumiseen.*
- e. Älä ylläriivio itseäsi. Huolehdi aina tukevasta seisoma-asennosta ja tasapainosta. *Täten voit paremmin hallita sähkötyökalua odottamatto-missa tilanteissa.*
- f. Käytä tarkoituksen soveltuvia vaatteita. *Älä käytä löysiä työvaatteita tai koruja. Pidä hiukset, vaatteet ja käsineet loitolla liikkuvista osista. Väljät vaatteet, korut ja pitkät hiukset voivat takertua liikkuviin osiin.*
- g. Jos pölynimu- ja keräilylaitteita voidaan asentaa, tulee sinun tarkistaa, että ne on liitetty ja että ne käytetään oikealla tavalla. *Näiden laitteiden käyttö vähentää pölyn aiheuttamia vaaroja.*
- h. **Älä koskaan työstä asbestipitoista ainetta** (asbestia pidetään karsinogeenisena).
- i. **Noudata suojaomenpiteitä, jos työssä saattaa syntyä terveydelle vaarallista, palavaa tai räjähdysaltista pölyä** (monia pölyjä pidetään karsinogeenisina); käytä pölynsuojanaamaria ja pölyn-/ lastunimua, jos se on liitettävissä.

SÄHKÖTYÖKALUJEN HUOLELLINEN KÄYTTÖ JA KÄSITTELY

- a. Älä ylikuormita laitetta. Käytä kyseiseen työhön tarkoitettua sähkötyökalua. *Sopivaa sähkötyökalua käyttäen työskentelet*

paremmin ja varmemmin tehoalueella, jolle sähkötyökalu on tarkoitettu.

- b. Älä käytä sähkötyökalua, jota ei voida käynnistää ja pysäyttää käynnistyskytkimestä. Sähkötyökalu, jota ei enää voida käynnistää ja pysäyttää käynnistyskytkimellä, on vaarallinen ja se täytyy korjata.
- c. Irrota pistotulppa pistorasiasta, ennen kuin suoritat säätöjä, vaihdat tarvikkeita tai siirrat sähkötyökalun varastoitavaksi. Nämä turvatoimenpiteet estävät sähkötyökalun tahattoman käynnistytksen.
- d. Säilytä sähkötyökalut poissa lasten ulottuvilta, kun niitä ei käytetä. Älä anna sellaisten henkilöiden käyttää sähkötyökalua, jotka eivät tunne sitä tai jotka eivät ole lukeneet tätä käyttöohjetta. Sähkötyökalut ovat vaarallisia, jos niitä käyttävät kokemattomat henkilöt.
- e. Hoida sähkötyökalusi huolella. Tarkista, että liikkuvat osat toimivat moitteettomasti, eivätkä ole puristuksessa sekä, että siinä ei ole murtuneita tai vahingoittuneita osia, jotka saattaisivat vaikuttaa haitallisesti sähkötyökalun toimintaan. Anna korjata nämä vioittuneet osat ennen käyttöä. Monen tapaturman syyt löytyvät huonosti huolletuista laitteista.
- f. Pidä leikkausterät terävinä ja puhtaina. Huolellisesti hoidetut leikkaustyökalut, joiden leikkausreunat ovat teräviä, eivät tartu helposti kiinni ja niitä on helpompi hallita.
- g. Käytä sähkötyökaluja, tarvikkeita, vaihtotyökaluja jne. näiden ohjeiden mukaisesti ja tavalla, jota on säädetty erityisesti kyseiselle sähkötyökalulle. Ota tällöin huomioon työolosuhteet ja suoritettava toimenpide. Sähkötyökalun käyttö muuhun kuin sille määrättyyn käyttöön, saattaa johtaa vaarallisiin tilanteisiin.

HUOLTO

- a. Anna koulutettujen ammattihenkilöiden korjata sähkötyökalusi ja hyväksy korjauksiin vain alkuperäisiä varaosia. Täten varmistat, että sähkötyökalu säilyy turvallisena.

YLÄJYRSIN TURVALLISUUSOHJEET

YLEISTÄ

- Tätä työkalua saavat käyttää vain 16 vuotta täyttäneet henkilöt.
- Irrota aina pistotulppa pistorasiasta, ennen kuin suoritat laitteelle mitään säätöjä tai vaihdat tarviketta.

VARUSTEET

- Käytä vain tarvikkeita, joiden sallittu kierrosnopeus on vähintään yhtä suuri kuin laitteen suurin tyhjäkäyntikierrosnopeus.
- Älä käytä vaurioituneita tai taittuneita jyrssinteriä.
- Käytä ainoastaan teräviä jyrssinteriä.
- Suojele varusteita iskuja, törmäyksiä ja rasvaantumista vastaan.

ENNEN KÄYTTÖÄ

- Vältä vaaralliset vahingot, jotka voivat aiheutua nauloista, ruuveista tai muista aineista työstettävässä materiaalissa; poista ne ennen työskentelyn aloittamista.
- Tarkista aina, että syöttöjännite on sama kuin työkalun nimiltaan osoittama jännite (työkalu, joiden jännitetaso on 230V tai 240V, voidaan kytkeä myös 220V tason jännitteeseen).
- Purista työkalu paikalleen, sillä se ei ehkä pysy paikallaan oman painonsa varassa.
- Materiaaleista, kuten lijyypitoimen maali, jotkut puulajit, mineraalit ja metalli, tuleva pöly voi olla vahingollista (kosketuksiin joutuminen pölyn kanssa tai sen sisään hengittäminen voi aiheuttaa käyttäjälle tai sivustakatsojille allergiareaktioita ja/tai hengitysvaivoja); käytä pölynaamarina ja työskentele pölynpoistolaitteen kanssa, kun sellainen on liitettävissä.

- Noudata maakohtaisia pölyyn liittyviä sääntöjä.
- Varmistaa, että työkalun toiminta on katkaistu sen kosketin liitettäessä pistorasiaan.

KÄYTÖN AIKANA

- Pidä johto aina poissa työkalun liikkuvien osien läheisyydestä; kohdista johto takaosaan kohti pois työkalusta.
- Älä käytä työkalua, kun johto tai pohjalävy (= suojus) on vioittunut; ja toimita valtuutettuun huoltoiliikikkeeseen.
- Pidä sormet pois jyrssinteristä käyttäessäsi konetta.
- Jos huomaat sähköisen tai mekaanisen vian, sammuta kone heti ja irrota liitosjohto pistorasiasta.
- Mikäli jyrssinteriä tukkeutuu ja saa työkalun nykimään, katkaise työkalun toiminta välittömästi.
- Virtakatkon aiheutuessa tai jos kosketin vedetään vahingossa irti pistorasiasta, sammuta työkalusta välittömästi tahattoman uudelleenkäynnistymisen estämiseksi.
- Älä käytä niin paljon painetta työkaluun nähden, että se pysähtyy.

YMPÄRISTÖ

HÄVITYS

Sähkötyökalu, lisätarvikkeet ja pakkaukset tulee toimittaa ympäristöstävälliseen uusiokäyttöön.

VAIN EU-MAITA VARTEN



Älä heitä sähkötyökaluja talousjätteisiin! Eurooppalaisen vanhoja sähkö- ja elektroniikkalaitteita koskevan direktiivin 2002/96/EY ja sen kansallisten lakien muunnosten mukaan, tulee sähkötyökalut kerätä erikseen ja toimittaa ympäristöstävälliseen uusiokäyttöön.

VINKKEJÄ

- Käytä tilanteeseen sopivia jyrssinteriä.
- Kun haluat jyrssiä työkappaleesi reunan kanssa yhdensuuntaisesti, käytä suuntaisohjainta.
- Työkappaleen reunasta kaukana olevat yhdensuuntaiset leikkaukset:
 - kiinnitä työkappaleeseen tukeva, suora puukappale 2 ruuvipuristimella;
 - ohjaa koneesi siten, että pohjalävy kulkee puukappaleen reunaa pitkin, joka nyt toimii sivuohjaimena.
- Suojaudu tänäin vaikutuksilta ylläpitämällä laite ja sen lisävarusteet, pitämällä kädet lämpimänä ja järjestämällä työmenetelmät.

TOIMINTASÄÄTIMET

Katso kuva 1:

- A Dremel-yleistyökalu
- B Nopeudensäädin
- C Kiinnitysavain ja säilytystila
- D Kädensija (käännä lukkoon)
- E Istukkamutterin avaimen säilytystila (avain ei mukana)
- F Syvyysasteikko (englantilainen/metrinen)
- G Reunaohjain
- H Pyörö-ohjain
- I Karalukkopainike
- J Kädensija (kiinteä)
- K Säättömutteri, alempi
- L Syvyysajoin
- M Säättömutteri, ylempi
- N Vapautus-painike

KOKOAMINEN

YLÄJYRSINLISÄLAITTEEN KOKOAMINEN TYÖKALUUN

LISÄLAITE KÄYTETTÄVÄKSI DREMELIN YLEISTYÖKALUMALLIEN 300, 395, 398, 400 JA 4000 KANSSTA.

VAROITUS Irrota yleistyökalan pistoke virtalähteestä ennen kuin kokoat tai säädät jotakin tai vaihdat tarvikkeita. Nämä ehkäisevät turvatoimet pienentävät riskiä käynnistää työkalu vahingossa.

1. Irrota istukkamutteri, irrota sitten rungon kärkikappale yleistyökälusta ja aseta se sivuun (kuva 2). Rungon kärkikappale pitää asettaa takaisin paikalleen, kun tätä lisälaitetta ei käytetä. Kun rungon kärkikappale on irrotettu, kokoa istukkamutteri uudelleen.

Katso kuva 2:

A Rungon kärkikappale

2. Aseta työkalu jyrnsinlisälaitteeseen siten, että karalukkopainike on kuvan osoittamassa asennossa (kuva 3).
3. Ruuvaa kiinnitysmutteria myötäpäivään yleistyökalan kierteitettyyn osaan ja kiristä hyvin mukana olevalla kiinnitysavaimella.

Katso kuva 3:

- A** Karalukko painike
B Kiinnitysmutteri
C Kiinnitysavain

KÄYTTÖOHJEET

HUOMIO: Tämä lisälaitte muuttaa Dremel-yleistyökalan yläjyrnsimeksi käsin ohjattavaan jyrnsintään, reunan muotoiluun, uurtamiseen ja pyöröjyrnsintään. Jyrnsinlisälaitte on kootuna ja valmiina käsin ohjattavaan tai esiohjausteräjäjyrnsintään.

Ohjainten säännöllinen puhdistus ja voitelu pitää liikkeen sujuvana ja tasaisena. Paina alas ja lukitse upotusjyrnsin paikalleen ja levitä ohutta voiteluainetta (vaseliinia, ruokaöljyä) ohjainten yläosaan.

VAROITUS Tätä jyrnsinlisälaitetta ei ole tarkoitettu käytettäväksi jyrnsin- tai sahauspyödyän alla.

Lisävarusteen tiedot

Katso kuva 4A.

JYRSINTERÄN ASETTAMINEN

Jyrnsinteriä pitää työkalussa istukkahylsytjärjestelmällä. Terä voidaan asentaa ennen kuin yleistyökälu on asennettu lisälaitteeseen tai sen jälkeen.

1. Paina ja pidä alhaalla karalukkopainiketta samalla kun pyörität istukkamutteria ja karaa. Jatka istukkamutterin ja karan pyörittämistä kunnes lukko kytkeytyy ja kiinnittää karan (kuva 4).
2. Käytä yleistyökalan avainta ja käännä istukkamutteria vastapäivään irrottaaksesi sen.
3. Vapauta karalukkopainike.
4. Työnnä jyrnsinterä istukkahylsyyden mahdollisimman syvälle, jotta varmistettaisiin terän kunnollinen tarttuminen ja vähennetään liikkumista. Älä työnnä terää niin pitkälle, että terän kierteteet koskettavat istukkahylsyä tai istukkamutteria, koska silloin terä voi lohjeta tai murtua.

HUOMAA: Älä koskaan aseta työkalua siten, että terä työntyy esille penkin yläosassa olevan alustan tai työalustan läpi. Aseta työkalu kytjälleen tai vedä terä takaisin ennen kuin asetat sen penkille tai työalustalle. Esille työntynyt jyrnsinterä saattaa aiheuttaa työkalun hypähtämisen.

5. Paina karalukkopainiketta uudelleen ja kiristä istukkamutteri – ensin käsin, sitten avaimella kunnes terä on hyvin kiinni.

Katso kuva 4B:

- A** Karalukkopainike
B Istukkamutteri
C Istukkamutterin avain
D Alusta

JYRSINTÄSYVYYDEN SÄÄTÄMINEN

HUOMAA: Kun tehdään syvää työstöä, erityisesti upotustyöstöä työkohteen reunan ulkopuolella, suosittelemme, että tehdään useita peräkkäisiä työstöjä etenevästi syvemmälle käyttäen syvyyden säätöä ja syvyyssasteikkoa mieluummin kuin yksi ainoa syvä työstö. Syvyydenrajoitin voidaan säätää kahteen syvyyteen.

1. Aseta Dremel-työkalu ja jyrnsinkokoonpano työkohteen päälle.
2. Käännä ylempää säätömutteria ylöspäin ja käännä alemmaa säätämutteria alaspäin, jolloin syvyydenrajoitin voi liikkua vapaasti (kuva 5).

Katso kuva 5:

- A** Syvyydenrajoitin
B Ylempi säätömutteri
C Alempi säätömutteri

3. Löysää lukittuva kädensija (kuva 6). Laske työkalua hitaasti kunnes jyrnsinterä juuri koskettaa työkohtetta.

Katso kuva 6:

- A** Kädensija
B Vapautus-painike

4. Kiristä lukittuvaa kädensijaa lukitaksesi työkalun paikalleen.
5. Paina ja pidä vapautuspainiketta alhaalla, jolloin syvyydenrajoitin koskettaa jyrnsinalustaa.

Ensimmäinen jyrnsintäsyvyys

6. Käännä syvyydenrajoitinta ylöspäin siten, että mitta X on sama kuin ensimmäinen haluttu jyrnsintäsyvyys (kuva 7).
HUOMAA: 1 kierros on yhtä kuin 0,06 tuumaa (1,5 mm)

Katso kuva 7:

- A** Syvyydenrajoitin
B Ylempi säätömutteri

7. Käännä ylempää säätömutteria alas tiiviisti jyrnsinkehystä vasten.

Toinen jyrnsintäsyvyys

8. Käännä syvyydenrajoitinta ylöspäin siten, että mitta X on sama kuin toinen haluttu jyrnsintäsyvyys. Varmista, että ylempi säätömutteri kääntyy syvyydenrajoittimen kanssa, jolloin se nousee pois jyrnsinkehystä (kuva 8).

Katso kuva 8:

- A** Syvyyden rajoitin
B Alempi säätömutteri

9. Käännä alemmaa säätömutteria ylös tiiviisti jyrnsinkehystä vasten.

HUOMAA: Ylemmän säätömutterin pitää pysyä paikallaan, kun alemmaa säätömutteria kiristetään.

10. Paina vapautuspainiketta valitaksesi ensimmäisen tai toisen jyrnsintäsyvyyden (kuva 9).

HUOMAA: Kummankin jyrnsintäsyvyyden säätö pitäisi tarkistaa koejyrnsinnällä ja säätää ne uudelleen tarvittaessa.

Katso kuva 9:

A Vapautuspainike

Kun jrsyntä on saatu loppuun, löysää kädensija ja palauta jrsyn yläasentoon.

JYRSIMEN SYÖTTÖ

Jos jrsyntä on vaikea hallita, se kuumenee, käy hyvin hitaasti tai tekee epätätymästä jrsyntäjälkeä, seuraavassa on muutamia mahdollisia syitä:

- Väärä syöttösuunta – vaikea hallita.
- Syöttäminen liian nopeaa – ylikuormittaa moottoria.
- Tylsä terä – ylikuormittaa moottoria.
- Työstö liian suuri yhdelle kerralle – ylikuormittaa moottoria.
- Syöttäminen liian hidasta – jättää kitkajälkiä työkohteeseen.

Syötä tasaisesti (älä pakota). Huomaat pian miltä jrsyn kuulostaa ja tuntuu, kun se toimii parhaimmillaan.

Syöttönopeus

Kun jrsyntään tai työstetään puuta ja muovia, paras lopputulos saadaan aikaan, jos jrsyntä-syvyytys ja syöttönopeus ovat sellaisia, että moottori toimii suurella nopeudella. Syötä jrsyntä mallillisella nopeudella. Pehmeät materiaalit vaativat suuremman nopeuden kuin kovat materiaalit.

Jrsyn saattaa pysähtyä, jos sitä käytetään väärin tai ylikuormitetaan. Pienennä syöttönopeutta, jotta työkalun vahingoittuminen estettäisiin. Varmista aina, että istukkamutteri on hyvin kiristetty ennen käyttöä. Käytä aina lyhyintä mahdollista jrsyntää halutun työstön tuottamisessa. Se vähentää jrsyntään liikkumista ja värinää.

Reunan muotoilu

Kun muotoilet reunaa, käytä aina esiohjaus- tai tukiohjausteriä. Esiohjauskärkisen terän alaosaa on kara, jossa ei ole leikkaavia reunoja. Tukioh-jausterillä on kuulalaakeri ohjaamassa terää. Esiohjauskärki liikuu työkohteen reunaan pitkin, kun pyörivät terät leikkaavat ja tekevät koristeellisia reunoja. Reunan, jota pitkin esioh-jausterä liikuu, pitäisi olla täysin tasainen, koska kaikki epäsäännöllisyydet siirtyvät muotoiltavaan pintaan. Kun jrsyntään työkohdetta, joka vaatii reunan muotoilun päättämispinnalla, päättämispinnan reuna pitää aina jrsyä ennen puun syitä seuraavien reunojen jrsymistä. Se vähentää vahingoittumisen mahdollisuutta, joka aiheutuisi ulosheitoista päättämispinnan päässä.

Jrsymisen syöttösuunta

Jrsynkara kääntyy myötäpäivään ylhäältä katsottaessa. Jotta saisit parhaan hallittavuuden ja jrsyntälaadun, syötä työkalua työkohteeseen sellaisessa suunnassa, että terä pyrkii vetämään itsensä puuhun. Väärä syöttösuunta aiheuttaa sen, että terä pyrkii nousemaan puun yli. Syötä työkalua tässä osoitettuun suuntaan. Jos jrsyt nelikulmisen kappaleen reunaa, liikuta työkalua vastapäivään. Jos jrsyt sisäpintaa kuten kuvassa, liikuta työkalua myötäpäivään (kuva 10).
HUOMAA: Syöttösuunta on erittäin tärkeä, kun käytetään esiohjausterää käsin ohjatun työkohteen reunaan.

Katso kuva 10:

- A** Jrsymisen syöttösuunta
B Jrsyn päättämispinnat ensin
C Terän pyörimissuunta

REUNAOHJAIMEN KOKOAMINEN

Kun haluat käyttää reunaohjainta, aseta ohjaimen tangot työkalupidikkeeseen ja kiristä käyttämällä (2) nro 10-24:n neliömutteria ja (2) oh-jaintangon nuppia (kuva 11).

Neliömutteri liikuu aukkoihin, jotka ovat ohjain-tankojen yläpuolella. Ohjaintangon nupit asennetaan ylhäältä reikiin läpi alas muttereiden

läpi ja tankoja vasten. Kiinnitä reunaohjain oh-jaintankoihin käyttämällä reunaohjaimen nuppeja ja kuusiomuttereita.

Aseta kuusiomutterit reunaohjaimen alle ja kiristä reunaohjaimen nupilla, joka on reunaohjaimen yläpinnalla. Liu'uta reunaohjainkokooppa-no ohjaintankoihin kuten kuvassa. Aseta reunaohjain halutun etäisyyden päähän jrsimestä ja kiristä reunaohjaimen nupit. (Katso kuva 11)

Reunaohjainta käytetään reunojen muotoiluun, uurteiden, kourujen, upotusten, kielekkeiden, urien, lovien ja viisteiden jrsymiseen. Muista syöttää siten, että jrsyn pyrkii vetämään reunaohjaimen puuta vasten. Tasainen syöttönopeus antaa tasaisen jäljen.

Yleisesti useita työstöjä voidaan käyttää, kun halutaan syvä ura. Työstön enimmäis-syvyytys riippuu käytettävästä materiaalista. Älä syötä liikaa siten, että moottori hidastuu huomattavasti.

Katso kuva 11:

- A** Syvyydensääätöruuvi
B Ohjaintangon nuppi
C Neliömutterit
D Ohjaintangot
E Reunaohjain
F Viimeistelynaula
G Pyöröohjain
H Kuusiomutterit
I Reunaohjaimen nuppi

REUNAOHJAIN

Asentaminen

1. Asenna reunaohjain yläjrsymisen kiinnitys-kappaleisiin (kuva 12).

Katso kuva 12:

- A** Kiinnityskappaleet
B Reunaohjain

2. Aseta ohjain työalustaa vasten jrsyntää halutussa asennossa.
3. Kiristä siipiruuvit.

Reunaohjaimella jrsyminen

Liu'uta reunaohjaimen liitettä sivua työalustaa pitkin.

PYÖRÖOHJAIN

Kaarien ja ympyröiden jrsyminen

1. Irrota reunaohjain ja kiinnitä pyöröohjaimen kiinnike ohjaintankoihin (kuva 13).

Katso kuva 13:

- A** Viimeistely naula
B Reunaohjain

2. Käytä mukana olevaa viimeistelynaulaa keskipisteinä. Aseta pyöröohjain halutulle säteelle.
3. Aseta naula ohjaimessa olevan reiän läpi ja aseta naula halutun säteen keskelle.

MALLIT

Kun käytät mallia, voit tehdä samanlaisia kuvioita tai kirjaimia uudestaan ja uudestaan. Tässä työskentelytavassa käytetään ohjainholkkia.

OHJAINHOLKIT

Kuvassa näkyvä ohjainholkki (Kuva 14) on itse asiassa kauluksellinen levy, joka laitetaan alustan reikään kuvan osoittamalla tavalla ja kiinnitetään sen yläpuolelle ruuvattavalla holkkitulpalla. Ohjainholkki liikkuu mallin reunoja pitkin, kun sen alle ulottuva jrsyntä leikkaa materiaalia.

Katso kuva 14:

- A Holkkitulppa
- B Ohjain Holkki
- C Alusta

HUOMAA: Varmista, että malli on vähintään yhtä paksu kuin alustan alle ulottuvan ohjaimen pituus.

Älä käytä terää, joka saattaa osua kauluksen sisäpuolelle. Valitse terä, jonka halkaisija on ainakin 2 mm pienempi.

Malleja on helppo valmistaa toistuvien kuvioiden, koristelujen, upotusten ja muiden leikkausten tekemistä varten. Mallin voit tehdä vanerista, kovalevystä, metallista tai jopa muovista. Kuvion voit leikata jyrsimellä, kuvi-osahalla tai muulla sopivalla työkalulla. Muista, että mallin valmistuksessa on otettava huomioon jyrksinterän ja ohjainholkin välinen etäisyys (erotus), koska lopullisen työkohteen kuvion koko tulee olemaan sen verran pienempi terän sijainnista johtuen (Kuva 15).

Katso kuva 15:

- A Jyrksinterä
- B Istukkamutteri
- C Ohjainholkki
- D Alusta
- E Mallikuvio
- F Työkohde
- G Erotus

JYRSINTÄ VAPAALLA KÄDELLÄ

Työhön saa momentilaisia tehosteita jyrsimällä vapaalla kädellä ja ohuella terällä. Yleensä kuvio piirretään liijykynällä työkohteen pintaan ja kynän piirtoa käytetään apuna jyrksintätyössä.

HUOLTO JA TAKUU

Tällä DREMEL-tuotteella on lakisääteinen/maakohtausten säännösten mukainen takuu; normaalia kulumisesta johtuvat vauriot, ylikuormitus ja väärä käsittely ovat tämän takauksen ulkopuolella.

Jos tuotteeseen tulee vikaa, lähetä purkamaton työkalu yhdessä ostokuitin kanssa jälleenmyyjälle.

DREMELIN YHTEYSTIEDOT

Lisätietoja Dremelin valikoimista, tuesta ja hotlinesta saat osoitteesta www.dremel.com

Dremel Europe, P.O. Box 3267, 4800 DG Bréda, Alankomaat

E INSTRUCIONES GENERALES DE SEGURIDAD



ATENCIÓN LEA ÍNTEGRAMENTE ESTAS INSTRUCCIONES.

En caso de no atenderse a las instrucciones siguientes, ello puede ocasionar una descarga eléctrica, un incendio y/o lesión grave. El término "herramienta eléctrica" empleado en las siguientes instrucciones se refiere a herramientas eléctricas de conexión a la red (con cable de red).

GUARDE ESTAS INSTRUCCIONES EN UN LUGAR SEGURO

PUESTO DE TRABAJO


- a. Mantenga limpio y bien iluminado su puesto de trabajo. *El desorden y una iluminación deficiente en las áreas de trabajo pueden provocar accidentes.*

- b. No utilice la herramienta eléctrica en un entorno con peligro de explosión, en el que se encuentren combustibles líquidos, gases o material en polvo. *Las herramientas eléctricas producen chispas que pueden llegar a inflamar los materiales en polvo o vapores.*
- c. Las herramientas eléctricas producen chispas que pueden llegar a inflamar los materiales en polvo o vapores. *Una distracción le puede hacer perder el control sobre el aparato.*

SEGURIDAD ELÉCTRICA

- a. El enchufe del aparato debe corresponder a la toma de corriente utilizada. No es admisible modificar el enchufe en forma alguna. *No emplear adaptadores en aparatos dotados con una toma de tierra. Los enchufes sin modificar adecuados a las respectivas tomas de corriente reducen el riesgo de una descarga eléctrica.*
- b. Evite que su cuerpo toque partes conectadas a tierra como tuberías, radiadores, cocinas y refrigeradores. *El riesgo a quedar expuesto a una sacudida eléctrica es mayor si su cuerpo tiene contacto con tierra.*
- c. No exponga el aparato a la lluvia y evite que penetren líquidos en su interior. *Existe el peligro de recibir una descarga eléctrica si penetran ciertos líquidos en el aparato eléctrico.*
- d. No utilice el cable de red para transportar o colgar el aparato, ni tire de él para sacar el enchufe de la toma de corriente. *Mantenga el cable de red alejado del calor, aceite, esquinas cortantes o piezas móviles. Mantenga el cable de red alejado del calor, aceite, esquinas cortantes o piezas móviles.*
- e. Al trabajar con la herramienta eléctrica en la intemperie utilice solamente cables de prolongación homologados para su uso en exteriores. *La utilización de un cable de prolongación adecuado para su uso en exteriores reduce el riesgo de una descarga eléctrica.*
- f. Si el funcionamiento de una herramienta eléctrica en un lugar húmedo fuese inevitable, utilice un cortacircuito de fuga a tierra. *El uso de un cortacircuito de fuga a tierra reduce el riesgo de descarga eléctrica.*

SEGURIDAD DE PERSONAS

- a. Esté atento a lo que hace y emplee la herramienta eléctrica con prudencia. No utilice el aparato si estuviese cansado, ni tampoco después de haber consumido alcohol, drogas o medicamentos. *El no estar atento durante el uso de un aparato puede provocarle serias lesiones.*
- b.  Utilice un equipo de protección y en todo caso unas gafas de protección. *El riesgo a lesionarse se reduce considerablemente si, dependiendo del tipo y la aplicación de la herramienta eléctrica empleada, se utiliza un equipo de protección adecuado como una mascarilla antipolvo, zapatos de seguridad con suela antideslizante, casco, o protectores auditivos.*
- c. Evite una puesta en marcha fortuita del aparato. Cerciorarse de que el aparato esté desconectado antes de conectarlo a la toma de corriente. *Si transporta el aparato sujetándolo por el interruptor de conexión/desconexión, o si introduce el enchufe en la toma de corriente con el aparato conectado, ello puede dar lugar a un accidente.*
- d. Retire las herramientas de ajuste o llaves fijas antes de conectar la herramienta eléctrica. *Una herramienta o llave colocada en una pieza rotante puede producir lesiones al ponerse a funcionar.*
- e. Sea precavido. Trabaje sobre una base firme y mantenga el equilibrio en todo momento. *Ello le permitirá controlar mejor el aparato en caso de presentarse una situación inesperada.*
- f. Lleve puesta una vestimenta de trabajo adecuada. *No utilice vestimenta amplia ni joyas. Mantenga su pelo, vestimenta y guantes alejados de las piezas móviles. La vestimenta suelta, el pelo largo y las joyas se pueden enganchar con las piezas en movimiento.*

- g. Siempre que sea posible utilizar unos equipos de aspiración o captación de polvo, asegúrese que éstos estén montados y que sean utilizados correctamente. *El empleo de estos equipos reduce los riesgos derivados del polvo.*
- h. **No trabaje materiales que contengan amianto** (el amianto es cancerígeno).
- i. **Tome unas medidas de protección adecuadas si al trabajar pudiera generarse polvo combustible, explosivo, o nocivo para la salud** (ciertos tipos de polvo son cancerígenos); colóquese una mascarilla antipolvo y, si su herramienta viene equipada con la conexión correspondiente, utilice además un equipo de aspiración adecuado.

USO Y TRATO CUIDADOSO DE HERRAMIENTAS ELÉCTRICAS

- a. No sobrecargue el aparato. Use la herramienta prevista para el trabajo a realizar. *Con la herramienta adecuada podrá trabajar mejor y más seguro dentro del margen de potencia indicado.*
- b. No utilice herramientas con un interruptor defectuoso. *Las herramientas que no se puedan conectar o desconectar son peligrosas y deben hacerse reparar.*
- c. Saque el enchufe de la red antes de realizar un ajuste en el aparato, cambiar de accesorio o al guardar el aparato. *Esta medida preventiva reduce el riesgo a conectar accidentalmente el aparato.*
- d. Guarde las herramientas eléctricas fuera del alcance de los niños. No permita la utilización del aparato a aquellas personas que no estén familiarizadas con su uso o que no hayan leído estas instrucciones. *Las herramientas eléctricas utilizadas por personas inexpertas son peligrosas.*
- e. Cuide sus aparatos con esmero. Controle si funcionan correctamente, sin atascarse, las partes móviles del aparato, y si existen partes rotas o deterioradas que pudieran afectar al funcionamiento de la herramienta. Haga reparar estas piezas defectuosas antes de volver a utilizar la herramienta eléctrica. *Muchos de los accidentes se deben a aparatos con un mantenimiento deficiente.*
- f. Mantenga los útiles limpios y afilados. *Los útiles mantenidos correctamente se dejan guiar y controlar mejor.*
- g. Utilice herramientas eléctricas, accesorios, útiles, etc. de acuerdo a estas instrucciones y en la manera indicada específicamente para este aparato. Considere en ello las condiciones de trabajo y la tarea a realizar. *El uso de herramientas eléctricas para trabajos diferentes de aquellos para los que han sido concebidas puede resultar peligroso.*

SERVICIO

- a. Únicamente haga reparar su herramienta eléctrica por un profesional, empleando exclusivamente piezas de repuesto originales. *Solamente así se mantiene la seguridad del aparato.*

INSTRUCCIONES DE SEGURIDAD PARA FRESADORAS

GENERAL

- Esta herramienta no debe utilizarse por personas menores de 16 años.
- Desenchufar siempre la herramienta antes de realizar cualquier ajuste o cambiar algún accesorio.

ACCESORIOS

- Utilice únicamente accesorios cuyo límite de revoluciones permitido sea como mínimo igual a las revoluciones en vacío máximas de la herramienta.
- No utilice brocas dañadas o deformadas.
- Utilice únicamente brocas afiladas.
- Proteja los accesorios de golpes, choques y grasa.

ANTES DE UTILIZAR LA HERRAMIENTA

- Evite los daños que puedan causar los tornillos, clavos y otros objetos sobre la pieza de trabajo; retírelos antes de empezar a trabajar.
- Compruebe siempre que la tensión de alimentación es la misma que la indicada en la placa de características de la herramienta (las herramientas de 230V o 240V pueden conectarse también a 220V).
- Si la pieza sobre la que está trabajando se moviera, sujétela.
- El polvo del material, como por ejemplo la pintura que contiene plomo, algunas especies de madera, minerales y metal podrían ser dañinos (el contacto o inhalación del polvo podría producir reacciones alérgicas y/o trastornos respiratorios al operador u otras personas cerca); utilice una máscara contra el polvo y trabaje con un dispositivo de extracción de polvo cuando lo conecte.
- Siga la normativa nacional en cuanto a extracción de polvo, en función de los materiales que vayan a ser utilizados.
- Asegúrese de que la herramienta está apagada cuando la enchufe.

DURANTE EL USO DE LA HERRAMIENTA

- Mantenga siempre el cable lejos de las partes móviles de la herramienta; mantenga el cable detrás de usted, lejos de la herramienta.
- No utilice la herramienta cuando el cable o la base (= guarda de protección) esté dañado; hágalo cambiar por una persona calificada.
- Aparte las manos y los dedos de la broca al conectar la herramienta.
- En el caso de que se produjera un mal funcionamiento eléctrico o mecánico, apague inmediatamente la herramienta y desconecte el enchufe.
- En caso de que se bloquee la broca, obteniendo como resultado que la herramienta funcione a trompicones, apague inmediatamente la herramienta.
- En caso de producirse un corte de corriente o cuando el enchufe se desconecta accidentalmente, desactive inmediatamente la herramienta para evitar que se ponga en marcha accidentalmente.
- No aplique mucha presión sobre la herramienta para evitar que se pare.

MEDIO AMBIENTE

ELIMINACIÓN

Recomendamos que las herramientas eléctricas, accesorios y embalajes sean sometidos a un proceso de recuperación que respete el medio ambiente.

SÓLO PARA LOS PAÍSES DE LA UE



¡No arroje las herramientas eléctricas a la basura! Conforme a la Directriz Europea 2002/96/CE sobre aparatos eléctricos y electrónicos inservibles, tras su conversión en ley nacional, deberán acumularse por separado las herramientas eléctricas para ser sometidas a un reciclaje ecológico.

CONSEJOS DE APLICACIÓN

- Utilice las brocas de ranuradora adecuadas.
- Para cortes paralelos en el borde de su pieza de trabajo, utilice la guía lateral.

- Para cortes paralelos en una pieza de trabajo lejos del borde de la misma:
 - sujete con 2 abrazaderas una pieza recta de madera a la pieza de trabajo;
 - guíe la herramienta con la base a lo largo del borde de la pieza de madera sujeta de modo que ésta sirva de guía lateral.
- Protégase contra los efectos de la vibración realizando el mantenimiento de la herramienta y sus accesorios, manteniendo sus manos calientes y organizando sus patrones de trabajo.

CONTROLES DE MANEJO

Vea fig. 1:

- A** Multiherramienta Dremel
- B** Control de velocidad
- C** Llave de montaje y zona de almacenamiento
- D** Empuñadura (girar para bloquear)
- E** Zona de almacenamiento para la llave de la tuerca de Retención (llave no incluida)
- F** Escala de profundidad (sistema inglés/sistema métrico)
- G** Guía para bordes
- H** Guía para círculos
- I** Botón de bloqueo del eje
- J** Empuñadura (estacionaria)
- K** Tuerca de ajuste, inferior
- L** Tope de profundidad
- M** Tuerca de ajuste, superior
- N** Botón de fijación

MONTAJE

MONTAJE DEL COMPLEMENTO FRESADORA DE INMERSIÓN A LA HERRAMIENTA

COMPLEMENTO PARA HERRAMIENTAS ROTATIVAS DE DREMEL
MODELOS 300, 395, 398, 400, 4000.

⚠ ATENCIÓN Desconecte el enchufe de la toma de corriente antes de efectuar montajes, ajustes o cambiar algún accesorio. Estas medidas preventivas de seguridad reducen el riesgo de poner en marcha accidentalmente la herramienta.

1. Retire la tuerca de retención, luego quite la caperuza del alojamiento de la herramienta rotativa y déjelo a un lado (fig. 2). Deberá volver a colocar la caperuza del alojamiento cuando no utilice este complemento. Una vez que haya quitado la caperuza del alojamiento, vuelva a colocar la tuerca de retención.

Vea fig. 2:

- A** Caperuza de alojamiento

2. Ponga la herramienta en el complemento de la fresadora con el botón de bloqueo del eje apuntando hacia delante, tal y como se muestra en la figura 3.
3. Enrosque la tuerca de montaje en el sentido de las agujas del reloj sobre la parte roscada de la herramienta rotativa y apriétela con seguridad con la llave de montaje suministrada.

Vea fig. 3:

- A** Botón bloqueo del eje
- B** Tuerca de montaje
- C** Llave de montaje

INSTRUCCIONES DE FUNCIONAMIENTO

ATENCIÓN: Este complemento convertirá su herramienta rotativa de Dremel en una fresadora de inmersión para fresar, modelar bordes, ranurar y efectuar cortes circulares con las manos libres. El complemento de la fresadora ya viene montado listo para fresar con las manos libres o con una espiga de avance. La limpieza y la lubricación regulares de los postes guía favorecen un funcionamiento sin problemas. Pulsar y bloquear la fresadora de superficie y aplicar regularmente un lubricante suave (p. ej. vaselina, aceite para cocinar) en la parte superior de los postes guía.

⚠ ATENCIÓN Este complemento de fresadora no está diseñado para utilizarlo debajo de una tabla de fresadora o de sierra.

Especificaciones

Vea fig. 4A.

INSERCIÓN DE LA FRESA

Un sistema de boquilla sujeta la fresa en la herramienta. **La fresa puede instalarse antes o después de acoplar la herramienta rotativa al complemento.**

1. Apriete el botón de bloqueo del eje y manténgalo apretado mientras gira la tuerca de retención y el eje. Continúe girando la tuerca de retención y el eje hasta que el cierre quede encajado y sujete el eje (fig. 4).
2. Utilice la llave de su herramienta rotativa de Dremel y gire la tuerca de retención en sentido opuesto al de las agujas del reloj para aflojarla.
3. Suelte el botón de bloqueo del eje.
4. Inserte la fresa en retención lo más profundamente posible para asegurar una sujeción adecuada de la fresa y para reducir el riesgo de que se salga. No inserte la fresa hasta que sus ranuras toquen retención o la tuerca de retención; de esta manera evitará que la fresa se rompa a pedazos o se resquebraje.
NOTA: No ponga la herramienta en la parte superior del banco o de la superficie de trabajo si la fresa sobresale por la base. Coloque la herramienta sobre su costado o retraiga la fresa antes de poner la herramienta sobre el banco o la superficie de trabajo. Una fresa de corte que sobresale podría hacer que la herramienta saltara.
5. Vuelva a encajar el botón de bloqueo del eje y apriete la tuerca de retención; hágalo primero con la mano y luego utilizando la llave hasta que la fresa quede sujeta con seguridad.

Vea fig. 4B:

- A** Botón de bloqueo del eje
- B** Tuerca de retención
- C** Llave de la tuerca de retención
- D** Base

AJUSTE DE LA PROFUNDIDAD DE FRESADO

NOTA: Cuando realice cortes profundos, en especial cortes de inmersión apartados del borde de la pieza de trabajo, es preferible hacer varios cortes sucesivos cada vez más profundos utilizando el ajuste de profundidad y la escala de profundidad a realizar un solo corte profundo.

El limitador de profundidad se puede ajustar para dos profundidades.

1. Coloque su conjunto de herramienta rotativa de Dremel y fresadora sobre la pieza de trabajo.
2. Gire la tuerca de ajuste superior hacia arriba y la tuerca de ajuste inferior hacia abajo hasta que el tope de profundidad pueda moverse libremente

Vea fig. 5:

- A Tope de profundidad
- B Tuerca de ajuste superior
- C Tuerca de ajuste inferior

3. Afloje la empuñadura de bloqueo (fig. 6). Baje lentamente la herramienta hasta que la fresa toque la pieza de trabajo.

Vea fig. 6:

- A Empuñadura
- B Botón de fijación

4. Apriete la empuñadura de bloqueo para bloquear la herramienta en el sitio.
5. Apriete el botón de fijación de profundidad y manténgalo apretado de manera que el tope de profundidad toque la base de la fresadora.

1a profundidad de fresado

6. Gire el tope de profundidad hacia arriba hasta que la medida X sea igual a la primera profundidad de fresado deseada (fig. 7).
NOTA: 1 giro es igual a 0,06" (1,5 mm)

Vea fig. 7:

- A Tope de profundidad
- B Tuerca de ajuste superior

7. Gire la tuerca de ajuste superior hacia abajo hasta que toque el bastidor de la fresadora.

2a profundidad de fresado

8. Gire el tope de profundidad hacia arriba hasta que la medida X sea igual a la segunda profundidad de fresado deseada. Asegúrese de que la tuerca de ajuste está girando con el tope de profundidad, de manera que se aparte del bastidor de la fresadora (fig. 8).

Vea fig. 8:

- A Tope de profundidad
- B Tuerca de ajuste inferior

9. Gire la tuerca de ajuste inferior hacia arriba hasta que toque el bastidor de la fresadora.

NOTA: La tuerca del ajuste superior debe permanecer inmóvil al apretar la tuerca de ajuste inferior.

10. Pulse botón de fijación para seleccionar la primera o la segunda profundidad de fresado (fig. 9).

NOTA: El ajuste de cada profundidad de fresado debería comprobarse efectuando un corte de prueba y reajustarse en caso necesario.

Vea fig. 9:

- A Botón de fijación

Cuando haya completado el fresado, afloje la empuñadura y devuelva la fresadora a la posición superior.

AVANCE DE LA FRESADORA

Si la fresadora se controla con dificultad, se calienta, funciona con mucha lentitud o deja un corte imperfecto, considere las causas siguientes:

- Dirección de avance errónea: control con dificultad.
- Avance demasiado rápido: sobrecarga del motor.
- Fresa desafilada: sobrecarga del motor.
- Corte demasiado grande para una sola pasada: sobrecarga del motor.
- Avance demasiado lento: quemadas de fricción en la pieza de trabajo.

Efectúe el avance con suavidad y de forma continuada (no lo fuerce). Muy pronto aprenderá el sonido y el tacto de la fresadora cuando está trabajando de la mejor manera.

Velocidad del avance

Al fresar o al efectuar trabajos relacionados en madera o plásticos, los mejores acabados se consiguen si la profundidad de corte y la velocidad de avance están reguladas para mantener el motor funcionando a alta velocidad. Haga avanzar la fresadora a una velocidad moderada. Los materiales blandos requieren una mayor velocidad de avance que los materiales duros.

La fresadora podría calarse si se sobrecarga o se utiliza de forma inadecuada. Reduzca la velocidad de avance para evitar posibles daños en el motor. Antes de la utilización, asegúrese siempre de que la tuerca de retención está bien apretada. Utilice siempre las fresas con la longitud de corte mínima necesaria para realizar el corte deseado. Esto minimizará el riesgo de que la fresa salte y vibre.

Modelado de bordes

Al modelar bordes, utilice siempre fresas con espigas de avance o con cojinetes. La parte inferior de una fresa calzada con una espiga de avance es un eje sin filos. Las fresas de guía con cojinetes tienen un cojinete de bolas para dirigir el avance de la fresa.

La espiga de avance se desplaza a lo largo del borde de la pieza de trabajo a medida que las cuchillas rotativas efectúan el corte, produciendo unos bordes decorativos. El borde por el que se desplaza la espiga de avance debe ser perfectamente suave, ya que las irregularidades que pueda haber se transfieren a la superficie en la que se efectúa el borde.

Si está fresando un pieza de trabajo que requiere que se realicen los bordes en los lugares donde terminan las fibras, frese siempre el borde donde terminan las fibras antes de fresar los bordes que siguen la dirección de las fibras. Esto minimiza la posibilidad de que la pieza se dañe al levantarse las fibras en el lugar donde terminan.

Dirección de avance de la fresadora

El husillo de la fresadora gira en el sentido de las agujas del reloj al observarlo desde arriba. Para obtener el mejor control y la mejor calidad de corte, haga avanzar la herramienta por la pieza de trabajo en el sentido en el que la fresa tienda a tirar de sí misma hacia la madera. Una dirección de avance incorrecta tiene como resultado que la fresa intente saltar y salte por encima de la madera. Haga avanzar la herramienta en el sentido que indicamos aquí. Si está realizando un corte por el borde de una pieza cuadrada, mueva la herramienta en el sentido opuesto al de las agujas del reloj. Si está fresando la parte interior, tal y como se indica en la figura 10, mueva la herramienta en el sentido de las agujas del reloj.

NOTA: La dirección de avance es muy importante al utilizar una fresa con espiga de avance que deje las manos libres en el borde de la pieza de trabajo.

Vea fig. 10:

- A Dirección de avance de la fresadora
- B Frese primero los lugares donde terminan las fibras
- C Rotación de la fresa

MONTAJE DE LA GUÍA PARA BORDES

Para utilizar una guía para bordes, monte unas varillas de guía en el conjunto del portaherramientas y asegúrelas utilizando 2 tuercas cuadradas #10-24 y 2 pomos de varillas de guía (fig. 11).

Las tuercas cuadradas se deslizarán por las ranuras que hay encima de las varillas de guía. Los pomos de las varillas de guía se montan desde la parte de arriba pasando hacia abajo por unos agujeros y por unas tuercas, y contra las varillas. Fije la guía para bordes a la varilla de guía utilizando los pomos de las varillas de guía y tuercas hexagonales.

Sitúe las tuercas hexagonales debajo de la guía para bordes y fíjelas con el pomo de la varilla de guía en la superficie superior de la guía para bordes. Desplace el conjunto de la guía para bordes por las varillas de guía tal y como se muestra. Coloque la guía para bordes a la distancia deseada desde la fresa y apriete los pomos de las varillas de guía (vea fig. 11).

La guía para bordes se utiliza para modelar bordes, cortar rebajes, zócalos, mortajas, lengüetas, acanaladuras, ranuras e ingletes. Recuerde que debe hacer avanzar la herramienta de manera que la fresa tienda a tirar de la guía para bordes contra la madera. Con una velocidad de avance constante se obtiene un corte suave. En general, deberían utilizarse unos cuantos cortes superficiales si se desea obtener una acanaladura profunda. La profundidad máxima de corte variará en función del material utilizado. No supere esta profundidad hasta el punto en que se perciba con claridad que el motor funciona más lentamente.

Vea fig. 11:

- A Tornillo de ajuste de la profundidad
- B Pomo de varilla de guía
- C Tuercas cuadradas
- D Varillas de guía
- E Guía para bordes
- F Clavo de acabado
- G Guía para círculos
- H Tuercas hexagonales
- I Pomo de la guía para bordes

GUÍA PARA BORDES

Instalación

1. Instale la guía para bordes en los bloques de montaje de la fresadora de inmersión (fig. 12).

Vea fig. 12:

- A Bloques de montaje
- B Guía para bordes

2. Coloque una guía paralela contra la superficie de trabajo con una fresa en la posición deseada.
3. Apriete los tornillos de cabeza moleteada.

Fresado con la guía para bordes

Desplace el lado aplanado de la guía para bordes a lo largo de la superficie de trabajo.

GUÍA PARA CÍRCULOS

Fresado de arcos y círculos

1. Retire la guía para bordes y acople el soporte de la guía para círculos a las varillas de guía (fig. 13).

Vea fig. 13:

- A Clavo de acabado
- B Guía para bordes

2. Utilice el clavo de acabado suministrado como punto director. Ajuste la guía para círculos al radio deseado.
3. Coloque el clavo a través del agujero de la guía y póngalo en el centro del radio deseado que se va a cortar.

PLANTILLAS

Si se utilizan patrones plantilla se pueden duplicar diseños o letras con uniformidad de manera repetida. Esta técnica requiere el empleo de una guía de apoyo.

GUÍAS DE APOYO

La guía de apoyo representada en la fig. 14 es básicamente un plato con un cuello de sujeción que se introduce en el orificio tal como se indica y fijado mediante un tapón de adorno en la parte superior de la guía de apoyo. La guía de apoyo se desplaza a lo largo del borde de la plantilla mientras la fresa, en el saliente inferior, hace el trabajo.

Vea fig. 14:

- A Tapón decorativo
- B Guía apoyo
- C Base

ATENCIÓN: Asegurarse de que el grosor de la plantilla sea igual o mayor que la longitud del saliente de apoyo debajo de la base.

No usar una punta que pueda introducirse en el cuello de sujeción. Seleccionar una punta de al menos 2 mm de diámetro.

Además, las plantillas especiales son mejores para cortar patrones repetidos, diseños especiales, marquetería y otras aplicaciones. Un patrón plantilla puede estar hecho de madera contrachapada, madera dura, metal o incluso plástico y el diseño puede cortarse con un fresadora, sierra de calar o cualquier otra herramienta de corte. Recuerde que el patrón deberá estar hecho de modo que compense la distancia entre la fresa y la guía de apoyo (el "offset") y el tamaño de la pieza de trabajo final deberá diferenciarse del patrón plantilla en este valor, debido a la posición de la punta (fig. 15).

Vea fig. 15:

- A Fresa
- B Tuerca de la boquilla
- C Guía de apoyo
- D Base
- E Patrón plantilla
- F Pieza de trabajo
- G Offset

FRESAR A MANO ALZADA

Muchos efectos pueden conseguirse fresando a mano alzada con una punta de diámetro reducido. Por lo general, el operario traza con un lápiz el esquema o el texto que desea plasmar utilizando la línea del lápiz como guía.

REPARACIÓN Y GARANTÍA

Este producto de DREMEL está garantizado de acuerdo con el reglamento estatutario o específico de cada país; cualquier problema debido al desgaste normal, a una sobrecarga de la herramienta o a un uso indebido quedará excluido de la garantía.

Si desea presentar una queja, envíe la herramienta *desmontada* junto con un justificante de compra al distribuidor que se la haya vendido.

DATOS DE CONTACTO DE DREMEL

Para obtener más información sobre la línea de productos, el soporte técnico o la línea de atención al cliente de Dremel, visite www.dremel.com

Dremel Europe, Apartado de correos 3267, 4800 DG Breda, Países Bajos

INDICAÇÕES GERAIS DE SEGURANÇA



ATENÇÃO

DEVEM SER LIDAS TODAS AS INSTRUÇÕES.

O desrespeito das instruções apresentadas abaixo pode causar choque eléctrico, queimaduras e/ou graves lesões. O termo "Ferramenta eléctrica" utilizado a seguir refere-se a ferramentas eléctricas operadas com corrente de rede (com cabo de rede) e a ferramentas eléctricas operadas com acumulador (sem cabo de rede).

GUARDE BEM ESTAS INSTRUÇÕES

LOCAL DE TRABALHO

- Mantenha a sua área de trabalho sempre limpa e bem arrumada. *Desordem e áreas insuficientemente iluminadas podem causar acidentes.*
- Não trabalhe com a ferramenta eléctrica em áreas com risco de explosão, na qual se encontrem líquidos, gases ou pós inflamáveis. *Ferramentas eléctricas produzem faíscas que podem inflamar pós ou vapores.*
- Mantenha crianças e outras pessoas afastadas da ferramenta eléctrica durante a utilização. *No caso de distração, é possível que seja perdido o controlo sobre o aparelho.*

SEGURANÇA ELÉCTRICA

- A ficha de conexão da ferramenta eléctrica deve caber na tomada. A ficha não deve ser modificada de maneira alguma. Não utilize uma ficha de adaptação juntamente com ferramentas eléctricas protegidas por ligação à terra. *Fichas não modificadas e tomadas apropriadas reduzem o risco de um choque eléctrico.*
- Evite que o corpo possa entrar em contacto com superfícies ligadas à terra, como tubos, radiadores, fogões e frigoríficos. *Há um risco elevado devido a choque eléctrico, se o corpo estiver ligado à terra.*
- Mantenha a ferramenta eléctrica afastada de chuva ou humidade. *A infiltração de água numa ferramenta eléctrica aumenta o risco de choque eléctrico.*
- Não deverá afastar o cabo da sua finalidade, como para, por exemplo, transportar a ferramenta eléctrica, pendurá-la ou para puxar a ficha da tomada. Mantenha o cabo afastado de calor, óleo, arestas afiadas ou partes do aparelho em movimento. *Cabos danificados ou emaranhados aumentam o risco de um choque eléctrico.*
- Se trabalhar com uma ferramenta eléctrica ao ar livre, só deverá utilizar cabos de extensão homologados para áreas exteriores. *A utilização de um cabo de extensão apropriado para áreas exteriores reduz o risco de um choque eléctrico.*
- Se não for possível evitar o funcionamento da ferramenta eléctrica em áreas húmidas, deverá ser utilizado um disjuntor de corrente de avaria. *A utilização de um disjuntor de corrente de avaria reduz o risco de um choque eléctrico.*

SEGURANÇA DE PESSOAS

- Esteja atento, observe o que está a fazer e seja prudente ao trabalhar com a ferramenta eléctrica. Não utilize a ferramenta eléctrica quando estiver fadigado ou sob a influência de drogas, álcool ou medicamentos. *Um momento de descuido ao utilizar ferramentas eléctricas pode levar a lesões graves.*
- Utilize equipamento de protecção pessoal e use sempre óculos de protecção. *A utilização de equipamento de protecção pessoal, como máscara de pó e sapatos de segurança antiderrapantes, capacete*



de segurança ou protecção auricular, de acordo com o tipo e aplicação da ferramenta eléctrica reduz o risco de lesões.

- Evite uma colocação em funcionamento involuntária. *Assegure-se de que a ferramenta eléctrica está desligada antes de introduzir a ficha na tomada. Se tiver o dedo no interruptor ao transportar a ferramenta eléctrica ou se a ferramenta eléctrica for conectada à alimentação de rede enquanto estiver ligada, poderão ocorrer acidentes.*
- Remova ferramentas de ajuste ou chaves de porcas antes de ligar a ferramenta eléctrica. *Uma ferramenta ou chave que se encontre numa parte da ferramenta eléctrica em movimento pode levar a lesões.*
- Não se sobreestime. *Mantenha sempre uma posição firme e o equilíbrio. Desta forma é mais fácil controlar a ferramenta eléctrica em situações inesperadas.*
- Use roupa apropriada. *Não use roupa larga nem jóias. Mantenha o cabelo, roupas e luvas afastadas de partes em movimento. Roupas largas, cabelos longos ou jóias podem ser agarrados por peças em movimento.*
- Se for possível montar dispositivos de aspiração ou de recolha, assegure-se de que estão conectados e são utilizados correctamente. *A utilização destes dispositivos reduz o perigo devido ao pó.*
- Não processe material que contenha asbesto** (asbesto é considerado como sendo cancerígeno).
- Tomar medidas de protecção, se durante o trabalho houver a possibilidade de serem produzidos pós nocivos à saúde, inflamáveis ou explosivos** (alguns pós são considerados como sendo cancerígenos); usar uma máscara de protecção contra pó e, se for possível conectar, uma aspiração de pó/de aparas.

UTILIZAÇÃO E MANUSEIO CUIDADOSO COM FERRAMENTAS ELÉCTRICAS

- Não sobrecarregue a ferramenta eléctrica. Utilize para o seu trabalho a ferramenta eléctrica apropriada. *É melhor e mais seguro trabalhar com a ferramenta eléctrica apropriada no regime de potência indicado.*
- Não utilize uma ferramenta eléctrica com um interruptor defeituoso. *Uma ferramenta eléctrica que deixa de poder ser ligada ou desligada é perigosa e deve ser reparada.*
- Puxe a ficha da tomada antes de executar ajustes na ferramenta eléctrica, substituir acessórios ou executar a ferramenta eléctrica. *Estas medidas de segurança evitam o arranque involuntário da ferramenta eléctrica.*
- Guarde ferramentas eléctricas não utilizadas fora do alcance de crianças. Não permita que pessoas que não estejam familiarizadas com a ferramenta eléctrica ou que não tenham lido estas instruções utilizem a ferramenta eléctrica. *Ferramentas eléctricas são perigosas se forem utilizadas por pessoas inexperientes.*
- Trate a ferramenta eléctrica com cuidado. Controle se as partes móveis da ferramenta eléctrica estão em perfeito estado de funcionamento e não emperram, se há peças quebradas ou danificadas que possam prejudicar o funcionamento da ferramenta eléctrica. *Mande reparar as peças danificadas antes da utilização. Muitos acidentes têm como causa a manutenção insuficiente das ferramentas eléctricas.*
- Mantenha as ferramentas de corte afiadas e limpas. *Ferramentas de corte cuidadosamente tratadas e com arestas de corte afiadas emperram com menos frequência e podem ser conduzidas com maior facilidade.*
- Utilize a ferramenta eléctrica, acessórios, ferramentas de aplicação, etc. conforme estas Instruções e como previsto para este tipo especial de ferramenta eléctrica. Considere as condições de trabalho e a tarefa a ser executada. *A utilização de ferramentas eléctricas para outras tarefas que não sejam as aplicações previstas pode levar a situações perigosas.*

SERVIÇOS

- a. Só permita que a sua ferramenta eléctrica seja reparada por pessoal especializado e qualificado e apenas com peças de reposição originais. *Desta forma é assegurada a segurança da ferramenta eléctrica.*

INSTRUÇÕES DE SEGURANÇA PARA TUPIAS

INFORMAÇÃO

- Esta ferramenta não deve ser utilizada por pessoas menores de 16 anos.
- Desligue sempre a ficha da tomada antes de proceder a qualquer ajustamento ou troca de acessório.

ACESSÓRIOS

- Utilize apenas acessórios com um número de rotação admissível no mínimo tão alto como o mais alto número de rotação em vazio da ferramenta.
- Não utilize fresas que estejam danificadas ou deformadas.
- Utilize apenas fresas afiadas.
- Proteja os acessórios contra impacto, choques e gordura.

ANTES DA UTILIZAÇÃO

- Evite danificar a ferramenta em superfícies com pregos ou parafusos; remova-os antes de começar a trabalhar.
- Certifique-se sempre de que a tensão de alimentação está de acordo com a tensão indicada na placa de identificação da ferramenta (ferramentas com a indicação de 230V ou 240V também podem ser ligadas a uma fonte de 220V).
- Fixe a peça a trabalhar, caso ela não se mantenha estacionária em virtude do seu próprio peso.
- O pó do material, como tinta com chumbo, algumas espécies de madeira, minerais e metais, pode ser prejudicial (contacto ou inalação do pó pode provocar reacções alérgicas e/ou doenças respiratórias ao operador ou às pessoas presentes); use máscara respiratória e trabalhe com um dispositivo de extracção de pó quando ligado a.
- Siga o regulamento nacional quanto a extracção de pó, em função dos materiais que vão ser utilizados.
- Certifique-se de que a ferramenta está desligada antes de colocar a ficha na tomada.

DURANTE A UTILIZAÇÃO

- Mantenha sempre o fio afastado das peças rotativas da ferramenta; coloque o fio para trás, fora do alcance da ferramenta.
- Não utilize a ferramenta caso o fio ou a base (= protecção de segurança) estejam danificados; mandando-os substituir por pessoal qualificado.
- Mantenha sempre as mãos e os dedos afastados da fresa quando a ferramenta estiver a trabalhar.
- Em caso de anomalias eléctricas ou mecânicas, desligue imediatamente a ferramenta e tire a ficha da tomada.
- Caso a fresa fique bloqueada, resultando em sacões transmitidos à ferramenta, desligue imediatamente a ferramenta.
- Em caso de interrupção na corrente ou se a ficha for retirada da tomada por engano, desligue imediatamente a ferramenta para impedir que volte a arrancar descontrolada.
- Não aplique demasiada pressão na ferramenta que a faça parar.

AMBIENTE

ELIMINAÇÃO

Ferramentas eléctricas, acessórios e embalagens devem ser separados para uma reciclagem amiga do ambiente.

APENAS PAÍSES EU



Não deitar ferramentas eléctricas no lixo doméstico! De acordo com a directiva europeia 2002/96/CE para aparelhos eléctricos e electrónicos usados, e com as respectivas implementações nas leis nacionais, as ferramentas eléctricas que não servem mais para a utilização, devem ser enviadas separadamente a uma reciclagem ecológica.

CONSELHOS DE APLICAÇÃO

- Utilize as fresas apropriadas.
- Para cortes paralelos com os lados de sua peça de trabalho utilize o guia paralela.
- Para cortes paralelos na peça de trabalho longe dos bordos:
 - fixe uma tira de madeira por meio de 2 grampos;
 - guie a fresa com a parte da base sobre o bordo da tira de madeira, que deste modo funciona como guia paralela.
- Proteja-se contra os efeitos da vibração, mantendo a ferramenta e os acessórios, mantendo as mãos quentes e organizando os padrões de trabalho.

ELEMENTOS DE COMANDO

Ver fig. 1:

- A** Ferramenta rotativa Dremel
- B** Controlador de velocidade
- C** Chave de montagem e área de arrumação
- D** Punho (rode para trancar)
- E** Área de arrumação para a chave da porca de aperto (chave não incluída)
- F** Escala de profundidade (inglesa/métrica)
- G** Batente paralelo
- H** Fresador de círculos
- I** Botão de bloqueio do veio
- J** Punho (estacionário)
- K** Porca de ajuste, inferior
- L** Batente de profundidade
- M** Porca de ajuste, superior
- N** Botão de desbloqueio

MONTAGEM

MONTAR A MULTI-FIXAÇÃO DE TUPIA DE IMERSÃO NA FERRAMENTA

COMPLEMENTO PARA USAR COM AS FERRAMENTAS ROTATIVAS DREMEL DOS MODELOS 300, 395, 398, 400, 4000.



ATENÇÃO Desligue a ficha da corrente antes de efectuar qualquer tipo de montagem, ajuste ou alteração de acessórios. Estas medidas preventivas de segurança permitem reduzir o risco de a ferramenta entrar acidentalmente em funcionamento.

1. Retire a porca de aperto, depois a tampa da carcaça da ferramenta rotativa e ponha-a de parte (fig. 2). A tampa da carcaça tem de voltar a ser instalada quando esta multi-fixação não estiver a ser usado. Assim que a tampa da carcaça tenha sido retirada, volte a montar a porca de aperto.

Ver fig. 2:

A Tampa da carcaça

- Coloque a ferramenta no complemento de tupa com o botão de bloqueio do veio voltado para a frente, tal como ilustrado (fig. 3).
- Enrosque a porca de montagem para a direita na parte roscada da ferramenta rotativa e aperte bem com a chave de montagem fornecida.

Ver fig. 3:

A Botão bloqueio do veio

B Porca de montagem

C Chave de montagem

INSTRUÇÕES DE SERVIÇO

ATENÇÃO: Esta multi-fixação vai transformar a ferramenta rotativa Dremel numa tupa de imersão para fresar, esquadriar, ranhar e fazer cortes circulares com mão livre. A multi-Fixação de tupa vem montado já pronto para fresar com mão livre ou com fresa de guia. Uma limpeza e lubrificação regulares das hastes de guia verticais facilitam a imersão. Baixe e fixe a tupa de imersão e aplique uniformemente um lubrificante suave (por ex. vaselina, óleo alimentar) na parte superior das hastes de guia verticais.

⚠ ATENÇÃO Esta multi-fixação de tupa não foi concebido para ser usado debaixo de uma tupa nem de uma mesa de serrar.

Especificações

Ver fig. 4A.

INSERIR A FRESA DE TUPIA

As fresas de tupa são fixadas na ferramenta por um sistema de mandril. **A fresa pode ser montada antes ou depois da instalação da ferramenta rotativa no complemento.**

- Carregue no botão de bloqueio do veio e mantenha-o premido enquanto roda a porca de aperto do veio. Continue a rodar a porca de aperto do veio até o bloqueio engatar e prender o veio (fig. 4).
- Use a chave da ferramenta rotativa Dremel e rode a porca de aperto para a esquerda para a desapertar.
- Liberte o botão de bloqueio do veio.
- Insira a fresa de tupa na mandril o mais fundo possível para que a fresa fique bem presa, minimizando, assim, o risco de desvio. Para que a fresa não lasque nem se rache, não a empurre também demasiado para dentro, ao ponto de as espirais ficarem encostadas ao mandril ou à porca de aperto.

NOTA: Nunca assente a base da ferramenta com a fresa saliente sobre a bancada ou a superfície de trabalho. Deite a ferramenta de lado ou recolha a fresa antes de a assentar sobre a bancada ou a superfície de trabalho. Quando uma ponta de corte está saliente a ferramenta pode saltar.

- Volte a engatar o botão de bloqueio do veio e aperte a porca de aperto, primeiro à mão e depois com a chave, até que a fresa fique bem imobilizada.

Ver fig. 4B:

A Botão de bloqueio do veio

B Porca de aperto

C Chave da porca de aperto

D Base

AJUSTAR A PROFUNDIDADE DE FRESAGEM

NOTA: Ao fazer cortes profundos, especialmente cortes de imersão longe do rebordo da peça a trabalhar, é aconselhável ir fazendo

vários cortes, cada vez mais profundos, com o limitador de ajuste da profundidade e a escala de profundidade, em vez de fazer um único corte profundo.

O limitador de profundidade pode ser ajustado em dois níveis.

- Posicione a ferramenta rotativa Dremel e o conjunto da tupa sobre a peça a trabalhar.
- Gire a porca do ajuste superior para cima e a do ajuste inferior para baixo, de forma a se poder deslocar livremente o batente de profundidade (fig. 5).

Ver fig. 5:

A Batente de profundidade

B Porca de ajuste superior

C Porca de ajuste inferior

- Solte o punho de bloqueio (fig. 6). Baixe lentamente a ferramenta até a fresa de tupa tocar na peça a trabalhar.

Ver fig. 6:

A Punho

B Botão de desbloqueio

- Aperte o punho de bloqueio para travar a ferramenta nessa posição.
- Carregue no botão de desbloqueio e mantenha-o premido, de forma a que o batente de profundidade toque na base da tupa.

1.ª profundidade de fresagem

- Rode o batente de profundidade para cima de forma a que a medida X seja equivalente a primeira profundidade de fresagem pretendida (fig. 7).

NOTA: 1 volta equivale a 1,5 mm

Ver fig. 7:

A Batente de profundidade

B Porca de ajuste superior

- Rode a porca de ajuste superior para baixo de forma a ficar bem assente contra a armação da tupa.

2.ª profundidade de fresagem

- Rode o batente de profundidade para cima de forma a que a medida X equivale à segunda profundidade de fresagem pretendida. Certifique-se de que a porca de ajuste superior roda juntamente com o batente de profundidade, de forma a subir o suficientemente para se afastar da armação da tupa (fig. 8).

Ver fig. 8:

A Batente de profundidade

B Porca de ajuste inferior

- Rode a porca de ajuste inferior para cima de forma a ficar bem assente contra a armação da tupa.

NOTA: A porca de ajuste superior tem de ficar parada quando se aperta a de ajuste inferior.

- Carregue no botão de desbloqueio para seleccionar a 1.ª ou a 2.ª profundidade de fresagem (fig. 9).

NOTA: O ajuste de cada profundidade de fresagem deve ser verificado com um corte de teste e corrigido, se necessário.

Ver fig. 9:

A Botão de desbloqueio

Depois de terminada a fresagem, solte o punho e volte a pôr a tupa na sua posição superior.

FAZER AVANÇAR A TUPIA

Se for difícil controlar a tupa ou ela aquecer demasiado, funcionar muito devagar ou realizar um corte imperfeito, tenha presente estas possíveis causas:

- Sentido de ataque errado – dificuldade em controlar.
- Avanço demasiado rápido – sobrecarga do motor.
- Fresa romba – sobrecarga do motor.
- Corte demasiado grande para uma só passagem – sobrecarga do motor.
- Avanço demasiado lento – deixa queimaduras de fricção na peça a trabalhar.

Avance com suavidade e firmeza (não force). Depressa se aperceberá do som e do funcionamento da tupa quando esta está a trabalhar nas devidas condições.

Velocidade de avanço

Ao realizar trabalhos de fresagem ou outros semelhantes em madeira e plástico, conseguem-se os melhores acabamentos se a profundidade de corte e a velocidade de avanço forem reguladas de forma a manter o motor a funcionar a alta velocidade. Faça a tupa avançar a uma velocidade moderada. Os materiais macios requerem uma velocidade de avanço mais rápida do que os materiais duros.

A tupa pode parar se for mal utilizada ou sobrecarregada. Reduza a velocidade de avanço para prevenir danos na ferramenta. Certifique-se sempre de que a porca de aperto está bem firme antes de utilizar a tupa. Use sempre fresas de tupa com o comprimento de corte mínimo necessário para produzir o corte desejado. Isso irá minimizar os desvios e as vibrações da fresa de tupa.

Perfilar

Para perfilar, use sempre fresas com guia ou com rolamento de esferas. A parte inferior da fresa com guia é constituída por uma haste sem arestas de corte. As fresas com guia de rolamento dispõem de um rolamento de esferas para as guias.

O espigão de apoio, que funciona como guia, desliza pela quina da peça, enquanto os gumes em rotação executam o corte, produzindo arestas decorativas. A quina ao longo da qual a guia desliza deve estar completamente lisa, pois quaisquer irregularidades são transferidas para a superfície modelada.

Ao fresar uma peça que requeira perfilagem, acompanhe o veio da madeira, começando sempre pela quina junto ao veio. Trabalhando dessa forma, deixa de haver o risco de a madeira lascar no final da passagem.

Sentido de avanço da tupa

Visto de cima, o fuso da tupa roda para a direita. Para um melhor controlo e qualidade de corte, faça a avançar a ferramenta na peça a trabalhar no sentido favorável ao de rotação da fresa. Se o sentido de avanço for incorrecto, a fresa tenderá a saltar da madeira.

Faça avançar a ferramenta no sentido aqui ilustrado. Se cortar à volta da quina de uma peça esquadriada, desloque a ferramenta para a esquerda. Para fresar o interior de uma superfície, tal como ilustrado, desloque a fresa para a direita (fig. 10).

NOTA: O sentido de avanço é de extrema importância quando se pretende perfilar a quina de uma peça conduzindo uma fresa de guia com mão livre.

Ver fig. 10:

- A** Sentido de avanço da tupa
- B** Comece a fresar junto ao veio da madeira
- C** Rotação da fresa

MONTAR O BATENTE PARALELO

Para usar o batente paralelo, monte as barras de guia no conjunto porta-ferramentas e imobilize-as com (2) porcas quadradas #10-24 e (2) botões (fig. 11).

A porca quadrada desliza para dentro dos entalhes acima das barras de guia. Os botões das barras de guia são montados a partir de cima da seguinte forma: introduza-os nos furos previstos, faça-os passar através das porcas, e enrosque-os nas barras. Fixe o batente paralelo às barras de guia usando os botões próprios para o efeito e as porcas de cabeça sextavada.

Coloque as porcas de cabeça sextavada sob o batente paralelo e aperte com o respectivo botão na sua superfície superior. Enfie o conjunto do batente paralelo nas barras de guia, tal como ilustrado. Regule o batente paralelo à distância pretendida a partir do cortante e aperte os respectivos botões. (ver fig. 11)

O batente paralelo é usado para modelar arestas, fazer sambladuras, frisos, encaixes, linguetas, ranhuras, entalhes e chanfraduras. Lembre-se do sentido de avanço, pois o cortante tende a puxar o batente paralelo contra a madeira. Se se mantiver uma velocidade de avanço constante o resultado será um corte liso.

Quando se pretende abrir uma ranhura profunda, normalmente, é conveniente realizar vários cortes pouco profundos. A profundidade máxima de corte depende do material trabalhado. Não force o motor ao ponto de ele se tornar claramente mais lento.

Ver fig. 11:

- A** Parafuso de ajuste da profundidade
- B** Botão da barra de guia
- C** Porcas quadradas
- D** Barras de guia
- E** Batente paralelo
- F** Ponta de acabamento
- G** Fresador de círculos
- H** Porcas de cabeça sextavada
- I** Botão do batente paralelo

BATENTE PARALELO

Instalação

1. Instale o batente paralelo nos blocos de suporte da tupa de imersão (fig. 12).

Ver fig. 12:

- A** Blocos de suporte
- B** Batente paralelo

2. Coloque a guia paralela contra a superfície de trabalho com a fresa na posição pretendida.
3. Aperte os parafusos de orelhas.

Fresar com batente paralelo

Faça deslizar o lado achatado do batente paralelo ao longo da superfície de trabalho.

FRESADOR DE CÍRCULOS

Fresar arcos e círculos

1. Retire o batente paralelo e una o suporte do fresador de círculos às barras de guia (fig. 13).

Ver fig. 13:

- A** Ponta de acabamento
- B** Batente paralelo

2. Use a ponta de acabamento fornecida como bico de compasso. Regule o fresador de círculos para o raio pretendido.
3. Coloque a ponta através do furo na guia e posicione-a no centro do raio que quer cortar.

O uso de escantilhões/cérceas permite duplicar desenhos e letras as vezes que quiser e sempre da mesma forma. Esta técnica requer o uso de um casquilho-guia.

CASQUILHOS-GUIA

O casquilho-guia, ilustrado na fig. 14, consiste essencialmente numa anilha com colar, que é inserido no orifício da base (tal como mostrado) e fixado atarraxando o casquilho roscado em cima do casquilho-guia. O casquilho-guia desloca-se ao longo da aresta do escantilhão, enquanto a fresa, ao sair por baixo, penetra na peça a trabalhar.

Ver fig. 14:

- A Casquilho roscado
- B Guia de furação fixa casquilho
- C Base

ATENÇÃO: Assegure-se de que a espessura do escantilhão é igual ou superior ao comprimento do casquilho, que sai por baixo da base. Não use uma ponta que possa tocar o interior do colar. Seleccione uma ponta que tenha, no mínimo, menos 2 mm de diâmetro. Para além disso, é fácil preparar escantilhões para cortar padrões repetidos, desenhos especiais, incrustações e outras aplicações. O escantilhão/cércea pode ser feito de contraplacado de madeira, painel duro, metal ou até mesmo de plástico, e o desenho pode ser cortado com uma tupa, serra vertical ou outra ferramenta de corte adequada. Lembre-se de que o padrão tem de ser feito para compensar a distância entre a fresa e o casquilho-guia (o "offset"), uma vez que o tamanho da peça depois de trabalhada irá reflectir essa mesma diferença em relação ao escantilhão/cércea, devido à posição da ponta (fig. 15).

Ver fig. 15:

- A Fresa
- B Porca de aperto
- C Casquilho-guia
- D Base
- E Escantilhão/cércea
- F Peça a trabalhar
- G Offset

FRESAR COM MÃO LIVRE

Pode criar muitos efeitos usando a tupa com mão livre com uma ponta de diâmetro pequeno. Geralmente, o técnico desenha o contorno ou escreve a lápis na peça a trabalhar e usa essa linha como guia.

ASSISTÊNCIA TÉCNICA E GARANTIA

A garantia deste produto DREMEL está assegurada de acordo com as normas estatutárias/específicas do país; as avarias devidas ao desgaste normal, sobrecarga ou utilização incorrecta não estão abrangidas pela garantia.

Em caso de reclamação, envie a ferramenta *por desmontar* juntamente com o comprovativo de compra, para o seu agente autorizado.

CONTACTO DA DREMEL

Para mais informações sobre a variedade, apoio e linha directa da Dremel, consulte o site www.dremel.com

Dremel Europe, Apartado 3267, 4800 DG Breda, Holanda



ΔΙΑΒΑΣΤΕ ΟΛΕΣ ΤΙΣ ΥΠΟΔΕΙΞΕΙΣ.

Η μη συμμόρφωση με τις πιο κάτω υποδείξεις μπορεί να οδηγήσει σε ηλεκτροπληξία, φωτιά και/ή σε σοβαρό τραυματισμό. Ο ορισμός "ηλεκτρικό εργαλείο" σε όλες τις πιο κάτω προειδοποιήσεις αναφέρεται σε ηλεκτρικά εργαλεία που συνδέονται με το ηλεκτρικό δίκτυο (με ηλεκτρικό καλώδιο).

ΦΥΛΑΞΤΕ ΑΥΤΕΣ ΤΙΣ ΟΔΗΓΙΕΣ

ΧΩΡΟΣ ΕΡΓΑΣΙΑΣ

- α. Διατηρείτε το χώρο εργασίας καθαρό και τακτοποιημένο. Η αταξία και οι σκοτεινές περιοχές προκαλούν ατύχημα.
- β. Μην εργάζεστε με το ηλεκτρικό εργαλείο σε περιβάλλον επικίνδυνο για έκρηξη, όπως εκεί που υπάρχουν εύφλεκτα υγρά, αέριο ή σκόνης. Τα ηλεκτρικά εργαλεία δημιουργούν σπινθήρες, οι οποίοι μπορούν να αναφλέξουν τη σκόνη ή τις αναθυμιάσεις.
- γ. Όταν χρησιμοποιείτε ένα ηλεκτρικό εργαλείο κρατάτε μακριά τα παιδιά και τα άλλα παρευρισκόμενα άτομα. Σε περίπτωση απόσπασης της προσοχής σας μπορεί να χάσετε τον έλεγχο του εργαλείου.

ΗΛΕΚΤΡΙΚΗ ΑΣΦΑΛΕΙΑ

- α. Τα φως των ηλεκτρικών εργαλείων πρέπει να ταιριάζουν στην πράξη. Σε καμία περίπτωση δεν επιτρέπεται η μετατροπή του φως. Μη χρησιμοποιείτε προσαρμογείς φως με γεωμετρικά ηλεκτρικά εργαλεία. Τα μη μεταποιημένα φως και οι κατάλληλες πρίζες μειώνουν τον κίνδυνο ηλεκτροπληξίας.
- β. Αποφεύγετε την επαφή του σώματος με γεωμετρικές επιφάνειες, όπως σωλήνες, θερμοαντλία σώματα, ηλεκτρικές κουζίνες και ψυγεία. Όταν το σώμα σας είναι γεωμετρικό, αυξάνεται ο κίνδυνος ηλεκτροπληξίας.
- γ. Μην εκθέτετε τα ηλεκτρικά εργαλεία στη βροχή ή στην υγρασία. Η διείσδυση νερού σε ένα ηλεκτρικό εργαλείο αυξάνει τον κίνδυνο ηλεκτροπληξίας.
- δ. Χρησιμοποιείτε το καλώδιο ενδεδειγμένα. Μη χρησιμοποιείτε το ηλεκτρικό καλώδιο για να μεταφέρετε ή να αναρτήσετε το ηλεκτρικό εργαλείο ή για να βγάλετε το φως από την πρίζα. Κρατάτε το ηλεκτρικό καλώδιο μακριά από θέρμανση, λάδι, κοφτερές ακμές ή κινούμενα εξαρτήματα. Τα χαλασμένα ή τα μπερδεμένα ηλεκτρικά καλώδια αυξάνουν τον κίνδυνο ηλεκτροπληξίας.
- ε. Όταν εργάζεστε με ένα ηλεκτρικό εργαλείο στην ύπαιθρο, χρησιμοποιείτε ηλεκτρικό καλώδιο επέκτασης (μπιταντέζα), κατάλληλο για χρήση στην ύπαιθρο. Η χρήση ενός ηλεκτρικού καλωδίου κατάλληλου για την ύπαιθρο μειώνει τον κίνδυνο ηλεκτροπληξίας.
- ζ. Όταν η χρήση του ηλεκτρικού εργαλείου σε υγρό περιβάλλον είναι αναπόφευκτη, τότε χρησιμοποιήστε έναν προστατευτικό διακόπτη διαρροής. Η χρήση ενός προστατευτικού διακόπτη διαρροής ελαττώνει τον κίνδυνο ηλεκτροπληξίας.

ΑΣΦΑΛΕΙΑ ΠΡΟΣΩΠΩΝ

- α. Να είστε πάντοτε προσεκτικοί, να δίνετε προσοχή στην εργασία που κάνετε και να χειρίζεστε με περίσκεψη το ηλεκτρικό εργαλείο. Μη χρησιμοποιείτε ένα ηλεκτρικό εργαλείο, όταν είστε κουρασμένοι ή όταν βρίσκεστε υπό την επίρρεια ναρκωτικών, οινοπνεύματος ή φαρμάκων. Μια στιγμή απροσεξίας κατά το χειρισμό του ηλεκτρικού εργαλείου μπορεί να οδηγήσει σε σοβαρούς τραυματισμούς του χειριστή.
- β. Χρησιμοποιείτε εξοπλισμό ασφαλείας. Χρησιμοποιείτε πάντοτε προστατευτικά γυαλιά. Ο εξοπλισμός ασφαλείας, όπως μάσκα προστασίας από τη σκόνη,



αντιπολισθητικά υποδήματα ασφαλείας, προστατευτικό κράνος, ή ιωασπίδες, που χρησιμοποιείται κατάλληλα, μειώνει τον κίνδυνο τραυματισμών.

- γ. Αποφεύγετε την αβέλγη εκκίνηση. Βεβαιωθείτε ότι ο διακόπτης βρίσκεται στη θέση OFF, προτού να συνδέσετε το εργαλείο στο ρεύμα. Όταν μεταφέρετε τα ηλεκτρικά εργαλεία με το δάκτυλό σας στο διακόπτη ή όταν συνδέετε τα ηλεκτρικά εργαλεία, με το διακόπτη ενεργοποιημένο (ON), υπάρχει κίνδυνος ατυχήματος.
- δ. Απομακρύνετε κάθε κλειδί ρύθμισης ή κλειδί τσοκ, προτού θέσετε το ηλεκτρικό εργαλείο σε λειτουργία. Ένα κλειδί τσοκ ή ένα κλειδί ρύθμισης, προσαρτημένο σ' ένα περιστρεφόμενο εξάρτημα του ηλεκτρικού εργαλείου μπορεί να οδηγήσει σε τραυματισμούς.
- ε. Μην υπερεκτιμάτε τον εαυτό σας. Πάρνετε σωστή στάση και κρατάτε πάντοτε την ισορροπία σας. Αυτό βοηθά στον καλύτερο έλεγχο του ηλεκτρικού εργαλείου σε περίπτωση απροσδόκητων καταστάσεων.
- ζ. Φοράτε σωστή ενδυμασία. Μην φοράτε φαρδιά ρούχα ή κοσμήματα. Κρατάτε τα μαλλιά σας, τα ρούχα και τα γάντια σας μακριά από τα κινούμενα μέρη. Χαλαρά ρούχα, κοσμήματα ή μακριά μαλλιά μπορούν να εμπλακούν στα κινούμενα μέρη.
- η. Όταν υπάρχουν διατάξεις για σύνδεση σε αναρρόφηση και συλλογή σκόνης, βεβαιωθείτε, ότι είναι συνδεδεμένες και χρησιμοποιούνται σωστά. Η χρήση αυτών των διατάξεων μπορεί να μειώσει τον κίνδυνο που προκαλείται από τη σκόνη.
- θ. **Μην κατεργάζεστε υλικά που περιέχουν αμίαντο** (το αμίαντο θεωρείται σαν καρκινογόνο υλικό).
- ι. **Να λαμβάνετε προστατευτικά μέτρα όταν κατά την εργασία σας υπάρχει η περίπτωση να δημιουργηθεί ανθυγιεινή, εύφλεκτη ή εκρηκτική σκόνη** (μερικά είδη σκόνης θεωρούνται καρκινογόνα) - να φοράτε μάσκα προστασίας σκόνης και να χρησιμοποιείτε αναρρόφηση σκόνης/ροκανιστών/νέφρζιων.

ΧΡΗΣΗ ΚΑΙ ΦΡΟΝΤΙΔΑ ΗΛΕΚΤΡΙΚΩΝ ΕΡΓΑΛΕΙΩΝ

- α. Μην υπερφορτώνετε το ηλεκτρικό εργαλείο. Χρησιμοποιείτε το σωστό ηλεκτρικό εργαλείο για την εργασία σας. Το σωστό ηλεκτρικό εργαλείο καθιστά την εργασία σας καλύτερη και ασφαλέστερη, όταν εργάζεστε στην ταχύτητα για την οποία κατασκευάστηκε.
- β. Μην χρησιμοποιείτε το ηλεκτρικό εργαλείο, εάν ο διακόπτης δεν μπορεί να ενεργοποιηθεί και να απενεργοποιηθεί. Ένα ηλεκτρικό εργαλείο, το οποίο δεν μπορεί να ελεγχθεί με το διακόπτη είναι επικίνδυνο και πρέπει να επισκευαστεί.
- γ. Πριν προβείτε σε μια ρύθμιση, στην αλλαγή εξαρτήματος ή στη φύλαξη των ηλεκτρικών εργαλείων τραβήξτε το φως από την πρίζα του ρεύματος. Τα προληπτικά μέτρα ασφαλείας μειώνουν τον κίνδυνο μιας ακούσιας εκκίνησης του ηλεκτρικού εργαλείου.
- δ. Φυλάτε τα ηλεκτρικά εργαλεία που δε χρησιμοποιούνται μακριά από τα παιδιά και μην επιτρέψετε τη χρήση του ηλεκτρικού εργαλείου σε άτομα που δεν είναι εξοικειωμένα με αυτό το ηλεκτρικό εργαλείο ή με αυτές τις οδηγίες λειτουργίας του ηλεκτρικού εργαλείου. Τα ηλεκτρικά εργαλεία είναι επικίνδυνα, όταν χρησιμοποιούνται από άπειρα άτομα.
- ε. Συντηρείτε τα ηλεκτρικά εργαλεία. Ελέγχετε, εάν τα κινούμενα μέρη λειτουργούν λανθασμένα ή είναι μπλοκαρισμένα, εάν έχουν σπάσει καθώς και κάθε άλλη κατάσταση, που επηρεάζει αρνητικά τη λειτουργία των ηλεκτρικών εργαλείων. Εάν υπάρχουν ζημιές, δώστε το ηλεκτρικό εργαλείο για επισκευή, πριν το χρησιμοποιήσετε. Η κακή συντήρηση των ηλεκτρικών εργαλείων αποτελεί αιτία πολλών ατυχημάτων.
- ζ. Διατηρείτε τα εργαλεία κοπής κοφτερά και καθαρά. Τα σωστά συντηρημένα εργαλεία κοπής με κοφτερές ακμές κοπής μαγκιών δυσκολότερα και ελέγχονται ευκολότερα.
- η. Χρησιμοποιείτε το ηλεκτρικό εργαλείο και τα εξαρτήματά του, σύμφωνα με αυτές τις οδηγίες ασφαλείας και τον τρόπο που προβλέπεται για αυτό τον ξεχωριστό τύπο ηλεκτρικού εργαλείου, προσέχοντας τις συνθήκες εργασίας και το επεξεργαζόμενο

κομμάτι που πρέπει να διαμορφωθεί. Η χρήση του ηλεκτρικού εργαλείου για εργασίες που δεν προβλέπονται για αυτό μπορεί να δημιουργήσει επικίνδυνες καταστάσεις.

ΣΕΡΒΙΣ

- α. Δώστε το ηλεκτρικό εργαλείο σας για σέρβις σ' ένα ειδικευμένο στις επισκευές άτομο, χρησιμοποιώντας μόνο γνήσια ανταλλακτικά εξαρτήματα. Έτσι εξασφαλίζεται η διατήρηση της ασφαλείας του ηλεκτρικού εργαλείου.

ΥΠΟΔΕΙΞΕΙΣ ΑΣΦΑΛΕΙΑΣ ΓΙΑ ΡΟΥΤΕΡ

ΓΕΝΙΚΑ

- Αυτό το εργαλείο δεν πρέπει να χρησιμοποιείται από άτομα κάτω των 16 ετών.
- Πάντα να αποσυνδέετε την πρίζα από το ηλεκτρικό δίκτυο πριν κάνετε κάποια ρύθμιση ή αλλάζετε εξάρτημα.

ΕΞΑΡΤΗΜΑΤΑ

- Χρησιμοποιείτε μόνο εξαρτήματα των οποίων ο ύψιστος επιτρεπτός αριθμός στροφών είναι τουλάχιστον τόσο υψηλός, όσο ο ύψιστος αριθμός στροφών χωρίς φορτίο του εργαλείου.
- Μην χρησιμοποιείτε ελαττωματικά ή παραμορφωμένα κοπτικά εργαλεία.
- Να χρησιμοποιείτε μόνο αιχμηρά κοπτικά εργαλεία.
- Προστατέψτε τα εξαρτήματα από κραδασμούς, δονήσεις και γράσα.

ΠΡΙΝ ΑΠΟ ΤΗ ΧΡΗΣΗ

- Προφυλάξτε το εργαλείο από τυχόν φθορές από ξένα σώματα (βίδες, καρφιά ή άλλα) που ίσως είναι μέσα στο κομμάτι που θα δουλεύετε - αφαιρέστε τα πριν αρχίσετε την εργασία.
- Βεβαιωθείτε ότι η τάση του παρεχόμενου ρεύματος είναι ίδια με την τάση που υποδεικνύεται στην πινακίδα δεδομένων του εργαλείου (εργαλεία που φέρουν την ένδειξη 230V ή 240V μπορούν να συνδεθούν επίσης σε πρίζα 220V).
- Σφίξτε το κατεργαζόμενο κομμάτι στη θέση του σε περίπτωση που δεν παραμείνει σταθερό από το ίδιο το βάρος του.
- Η σκόνη από υλικά όπως μογιές που περιέχουν μολύβδο, ορισμένα είδη ξύλου, ανόργανα στοιχεία και μέταλλα μπορεί να είναι επιβλαβής (η επαφή ή η εισπνοή της σκόνης μπορεί να προκαλέσει αλλεργικές αντιδράσεις ή/και αναπνευστικές ασθένειες στον χειριστή ή σε άτομα που παρίστανται) - να φοράτε προσωπίδα προστασίας από τη σκόνη και να εργάζεστε με συσκευή αφαίρεσης σκόνης όταν είναι δυνατή.
- Ακολουθήστε τις σχετικές με σκόνη εθνικές διατάξεις για τα υλικά που θέλετε να εργαστείτε.
- Βεβαιωθείτε ότι το εργαλείο είναι σβησμένο όταν συνδέεται στην πρίζα.

ΚΑΤΑ ΤΗ ΧΡΗΣΗ

- Να κρατάτε πάντα το καλώδιο μακριά από τα κινούμενα μέρη του εργαλείου σας - κρατάτε το καλώδιο προς τα πίσω, μακριά από το εργαλείο.
- Ποτέ μη χρησιμοποιείτε το εργαλείο όταν έχει υποστεί βλάβη το καλώδιο ή η βάση (= προφυλακτήρας) - θα πρέπει να αντικατασταθεί από έναν εξειδικευμένο τεχνίτη.
- Προσοχή να κρατάτε τα χέρια και τα δάκτυλά σας μακριά από το κοπτικό εργαλείο όταν το εργαλείο λειτουργεί.
- Σε περίπτωση ηλεκτρικής ή μηχανικής δυσλειτουργίας, σταματήστε αμέσως το εργαλείο και βγάλτε το από την πρίζα.
- Σε περίπτωση που μπλοκάρει το κοπτικό εργαλείο, με αποτέλεσμα να "κλωσάει" το εργαλείο, σβήστε αμέσως το εργαλείο.

- Σε περίπτωση που διακοπεί το ρεύμα ή βγει το φως από την πρίζα, θέστε αμέσως εκτός λειτουργίας το εργαλείο για να αποφύγετε την ανεξέλεγκτη επανεκκίνηση του.
- Μην ασκείτε τόση μεγάλη δύναμη στο εργαλείο ώστε να σταματήσει να κινείται.

ΠΕΡΙΒΑΛΛΟΝ

ΑΠΟΣΥΡΣΗ

Τα ηλεκτρικά εργαλεία, τα εξαρτήματα και οι συσκευασίες πρέπει να ανακυκλώνονται με τρόπο φιλικό προς το περιβάλλον.

ΜΟΝΟ ΓΙΑ ΧΩΡΕΣ ΤΙΣ ΕΕ



Μην ρίχνετε τα ηλεκτρικά εργαλεία στα απορρίμματα του σπιτιού σας! Σύμφωνα με την Κοινοτική Οδηγία 2002/96/ΕΚ σχετικά με τις παλιές ηλεκτρικές και ηλεκτρονικές συσκευές και τη μεταφορά της οδηγίας αυτής σε εθνικό δίκαιο δεν είναι πλέον υποχρεωτικό τα άχρηστα ηλεκτρικά εργαλεία να συλλέγονται ξεχωριστά για να ανακυκλωθούν με τρόπο φιλικό προς το περιβάλλον.

ΟΔΗΓΙΕΣ ΕΦΑΡΜΟΓΗΣ

- Χρησιμοποιείτε τα κατάλληλα κοπτικά εργαλεία.
- Για κοψίματα παράλληλα με την πλευρά του καταραζόμενου κομματιού να χρησιμοποιείτε τον οδηγό ευθείας κοπής.
- Για να κάνετε παράλληλα κοψίματα επάνω σε κάποιο κομμάτι, μακριά από το άκρο του:
 - σπερέψτε επάνω στο καταραζόμενο κομμάτι, με δύο σφικτήρες, ένα ίσιο κομμάτι ξύλο;
 - οδηγήστε το εργαλείο με την πλάκα-βάσης του κατά μήκος του ξύλου το οποίο τώρα χρησιμεύει σαν οδηγός ευθείας κοπής.
- προστατευτείτε από τις επιδράσεις των κραδασμών συντηρώντας σωστά το εργαλείο και τα εξαρτήματά του, διατηρώντας τα χέρια σας ζεστά και οργανώνοντας τον τρόπο εργασίας σας.

ΕΛΕΓΧΟΣ ΛΕΙΤΟΥΡΓΙΑΣ

Βλέπε Εικ. 1:

- A** Περιστροφικό εργαλείο Dremel
- B** Ελεγχος ταχύτητας
- C** Κλειδί στερέωσης & θέση φύλαξης
- D** Χειρολαβή (για την ασφάλιση στρέψετε την)
- E** Κλειδί σφικτήρα, θέση φύλαξης (το κλειδί δε συμπεριλαμβάνεται)
- F** Κλίμακα βάθους (αγγλικό/μετρικό σύστημα)
- G** Οδηγός ακμής
- H** Οδηγός βάθους
- I** Κουμπί κλειδώματος του άξονα
- J** Χειρολαβή (σταθερή)
- K** Παζμάδι ρύθμισης, κάτω
- L** Οδηγός κύκλων
- M** Παζμάδι ρύθμισης, επάνω
- N** Πλήκτρο απασφάλισης

ΣΥΝΑΡΜΟΛΟΓΗΣΗ

ΣΥΝΑΡΜΟΛΟΓΗΣΗ ΤΟΥ ΠΡΟΣΑΡΤΗΜΑΤΟΣ ΒΥΘΙΖΟΜΕΝΗΣ ΦΡΕΖΑΣ ΣΤΟ ΕΡΓΑΛΕΙΟ ΣΑΣ

ΠΡΟΣΑΡΤΗΜΑ ΓΙΑ ΤΑ ΜΟΝΤΕΛΑ DREMEL 300, 395, 398, 400, 4000.



ΠΡΟΕΙΔΟΠΟΙΗΣΗ

Πριν προβείτε σε μια συναρμολόγηση, ρύθμιση ή στην αλλαγή εξαρτήματος

τραβήξτε το φως από την πρίζα του ρεύματος. Τα προληπτικά μέτρα ασφαλείας μειώνουν τον κίνδυνο μιας ακούσιας εκκίνησης του εργαλείου.

1. Αφαιρέστε το σφικτήρα, μετά αφαιρέστε το καπάκι του κελύφους από το περιστροφικό σας εργαλείο και εναποθέστε το καπάκι του κελύφους στα Πάγια (Εικ. 2). Το καπάκι του κελύφους πρέπει να τοποθετηθεί ξανά, όταν το προσάρτημα δε χρησιμοποιείται πλέον. Όταν αφαιρέσετε το καπάκι του κελύφους, συναρμολογήστε ξανά το σφικτήρα.

Βλέπε Εικ. 2:

A Καπάκι του κελύφους

2. Τοποθετήστε το εργαλείο στο προσάρτημα της φρέζας με το κουμπί κλειδώματος του άξονα προς τα εμπρός, όπως φαίνεται στην εικόνα (Εικ. 3).
3. Βιδώστε το περικόχλιο στερέωσης δεξιάστροφα πάνω στο στερίωμα του περιστροφικού σας εργαλείου και σφίξτε το σταθερά με το συνημμένο κλειδί στερέωσης.

Βλέπε Εικ. 3:

A Κουμπί κλειδώματος του άξονα

B Περικόχλιο στερέωσης

C Κλειδί στερέωσης

ΟΔΗΓΙΕΣ ΛΕΙΤΟΥΡΓΙΑΣ

ΠΡΟΣΟΧΗ: Αυτό το προσάρτημα μεταβάλλει το περιστροφικό εργαλείο Dremel σε μια βυθιζόμενη φρέζα για ελεύθερο φρεζάρισμα, για επεξεργασία ακμών και αρμών και για κυκλικά κοψίματα. Το προσάρτημα της φρέζας παραδίδεται έτοιμο συναρμολογημένο για ελεύθερο ή οδηγούμενο φρεζάρισμα. Το τακτικό καθάρισμα και η λίπανση των κολώνων οδηγήσης διευκολύνει το βύθισμα της φρέζας. Πίστετε κάτω και ασφαλίστε τη βυθιζόμενη φρέζα και λιπάνετε μ' ένα ελαφρό λιπαντικό (π.χ. βαζελίνη, μαγειρικό λάδι) το επάνω μέρος των κολώνων οδηγήσης.



ΠΡΟΕΙΔΟΠΟΙΗΣΗ

Το προσάρτημα της φρέζας δεν προβλέπεται για χρήση μαζί με έναν πάγκο φρεζαρίσματος ή πριονίσματος.

Προδιαγραφές εξαρτημάτων

Βλέπε Εικ. 4A.

ΤΟΠΟΘΕΤΗΣΗ ΤΗΣ ΦΡΕΖΑΣ ΔΙΑΜΟΡΦΩΣΗΣ

Οι φρέζες διαμόρφωσης συγκρατούνται στο εργαλείο με ένα σύστημα φωλιάς. Η φρέζα μπορεί να τοποθετηθεί πριν ή μετά την τοποθέτηση του περιστροφικού εργαλείου στο προσάρτημα.

1. Πατήστε και κρατήστε πατημένο το κουμπί κλειδώματος του άξονα, ενώ περιστρέψετε το σφικτήρα και τον άξονα. Συνεχίστε να περιστρέψετε το σφικτήρα και τον άξονα, ώσπου να ασφαλίσει η μαντάλωση και να κλειδώσει τον άξονα (Εικ. 4).
2. Χρησιμοποιήστε το κλειδί από το περιστροφικό σας εργαλείο Dremel και περιστρέψτε το σφικτήρα αριστερόστροφα, για να τον λύσετε.
3. Αφήστε το κουμπί κλειδώματος του άξονα ελεύθερο.
4. Περάστε τη φρέζα διαμόρφωσης μέσα στη φωλιά όσο γίνεται πιο βαθιά, για να εξασφαλίσετε τη σωστή πρόσδεση της φρέζας και να ελαχιστοποιήσετε τον κίνδυνο χαλάρωσης. Μην εισάγετε όμως τη φρέζα τόσο βαθιά, ώστε τα αυλάκια της φρέζας να έρχονται σε επαφή με τη φωλιά ή το σφικτήρα, για να αποφύγετε το σπάσιμο ή τη ρωγμή της φρέζας.

ΠΑΡΑΤΗΡΗΣΗ: Μην τοποθετείτε ποτέ το εργαλείο πάνω στον πάγκο ή στην επιφάνεια εργασίας, όταν η φρέζα προεξέχει από τη βάση. Ακοιμητήστε το εργαλείο με την πλευρά του ή τραβήξτε μέσα τη φρέζα προτού να αποθέσετε το εργαλείο πάνω στον πάγκο ή στην επιφάνεια εργασίας. Η προεξέχουσα φρέζα κοπής μπορεί να προκαλέσει το τσίγκωμα του εργαλείου.

5. Πατήστε ξανά το κουμπί κλειδώματος του άξονα και σφίξτε το σφικτήρα πρώτα με το χέρι και μετά χρησιμοποιώντας το κλειδί, ώσπου να στερεωθεί η φρέζα σταθερά.

Βλέπε Εικ. 4B:

- A Κουμπί κλειδώματος του άξονα
- B Σφικτήρας
- C Κλειδί σφικτήρα
- D Βάση

ΡΥΘΜΙΣΗ ΤΟΥ ΒΑΘΟΥΣ ΦΡΕΖΑΡΙΣΜΑΤΟΣ

ΠΑΡΑΤΗΡΗΣΗ: Όταν γίνονται βαθιά κοψίματα, ιδιαίτερα βυθιζόμενα κοψίματα μακριά από την ακμή του επεξεργαζόμενου κομματιού, συνιστάται να γίνονται καλύτερα περισσότερα κοψίματα με διαδοχικά αυξανόμενο βάθος, χρησιμοποιώντας το ρυθμιζόμενο βάθος και την κλίμακα βάθους, αντί για ένα μόνο βαθύ κόψιμο.

Η διάταξη περιορισμού του βάθους μπορεί να ρυθμιστεί για δύο βάθη.

1. Τοποθετήστε το εργαλείο Dremel και το προσάρτημα της φρέζας πάνω στο επεξεργαζόμενο κομμάτι.
2. Περιστρέψτε το επάνω παξιμάδι ρύθμισης προς τα επάνω και περιστρέψτε το κάτω παξιμάδι ρύθμισης προς τα κάτω, έτσι ώστε ο οδηγός βάθους να μπορεί να κινείται ελεύθερα (Εικ. 5).

Βλέπε Εικ. 5:

- A Οδηγός βάθους
- B Επάνω παξιμάδι ρύθμισης
- C Κάτω παξιμάδι ρύθμισης

3. Λύστε τη μαντάλωση στη χειρολαβή (Εικ. 6). Κατεβάστε αργά το εργαλείο, ώσπου η φρέζα διαμόρφωσης μόλις να ακουμπήσει το επεξεργαζόμενο κομμάτι.

Βλέπε Εικ. 6:

- A χειρολαβή
- B Πλήκτρο απασφάλισης

4. Σφίξτε τη μαντάλωση στη χειρολαβή, για να ασφαλίσετε το εργαλείο σε αυτήν τη θέση.
5. Πατήστε και κρατήστε πατημένο το πλήκτρο απασφάλισης, έτσι ώστε ο οδηγός βάθους να ακουμπά στη βάση της φρέζας.

1ο βάθος φρεζαρίσματος

6. Περιστρέψτε τον οδηγό βάθους προς τα επάνω, ώστε η διάσταση X να φθάσει το πρώτο επιθυμητό βάθος φρεζαρίσματος (Εικ. 7).
ΠΑΡΑΤΗΡΗΣΗ: 1 περιστροφή αντιστοιχεί σε „06” (1.5 mm)

Βλέπε Εικ. 7:

- A Οδηγός βάθους
- B Επάνω παξιμάδι ρύθμισης

7. Περιστρέψτε το επάνω παξιμάδι ρύθμισης προς τα κάτω, ώσπου να ακουμπήσει ελαφρά πάνω στο πλαίσιο της φρέζας.

2ο βάθος φρεζαρίσματος

8. Περιστρέψτε τον οδηγό βάθους προς τα επάνω, ώστε η διάσταση X να φθάσει το δεύτερο επιθυμητό βάθος φρεζαρίσματος. Βεβαιωθείτε, ότι το επάνω παξιμάδι ρύθμισης περιστρέφεται μαζί με τον οδηγό βάθους, έτσι ώστε να απομακρύνεται από το πλαίσιο της φρέζας (Εικ. 8).

Βλέπε Εικ. 8:

- A Οδηγός βάθους
- B Κάτω παξιμάδι ρύθμισης

9. Περιστρέψτε το κάτω παξιμάδι ρύθμισης προς τα επάνω, ώσπου να ακουμπήσει ελαφρά πάνω στο πλαίσιο της φρέζας.

ΠΑΡΑΤΗΡΗΣΗ: Το επάνω παξιμάδι ρύθμισης πρέπει να παραμείνει σταθερό, όταν σφίγεται το κάτω παξιμάδι ρύθμισης.

10. Πατήστε το πλήκτρο απασφάλισης για να επιλέξετε το 1ο ή το 2ο βάθος φρεζαρίσματος (Εικ. 9).

ΠΑΡΑΤΗΡΗΣΗ: Η ρύθμιση κάθε βάθους φρεζαρίσματος πρέπει να ελέγχεται με ένα δοκιμαστικό κόψιμο και να επαναρυθμίζεται το βάθος, σε περίπτωση που είναι απαραίτητο.

Βλέπε Εικ. 9:

- A Πλήκτρο απασφάλισης

Μετά την ολοκλήρωση του φρεζαρίσματος λύστε τη χειρολαβή και επαναφέρετε τη φρέζα στην επάνω θέση.

ΠΡΩΘΗΣΗ ΤΗΣ ΦΡΕΖΑΣ

Όταν η φρέζα δεν ελέγχεται εύκολα, θερμαίνεται, περιστρέφεται πολύ αργά ή δεν αφήνει ένα άψογο κόψιμο, προσέξτε τις ακόλουθες αιτίες:

- Λάθος κατεύθυνση προώθησης – δύσκολος έλεγχος.
- Προώθηση πολύ γρήγορη – υπερφόρτωση του κινητήρα.
- Αμβλυμένη φρέζα – υπερφόρτωση του κινητήρα.
- Κόψιμο πολύ μεγάλο για ένα βήμα εργασίας – υπερφόρτωση του κινητήρα.
- Προώθηση πολύ αργή – αφήνει καψίματα τριβής στο επεξεργαζόμενο κομμάτι.

Προωθείτε τη φρέζα στραβά και σταθερά (χωρίς δύναμη). Σε λίγο θα μάθετε το θόρυβο και τη συμπεριφορά της φρέζας, όταν εργάζεται άψογα.

Ταχύτητα προώθησης

Όταν φρεζάρετε ή όταν εκτελείτε παρόμοιες εργασίες σε ξύλο και πλαστικό, επιτυγχάνετε τα καλύτερα αποτελέσματα, όταν το βάθος κοπής και η ταχύτητα προώθησης έχουν ρυθμιστεί για τη λειτουργία του κινητήρα σε υψηλή ταχύτητα. Προωθείτε τη φρέζα με μια αντίστοιχη ταχύτητα. Τα μαλακά υλικά απαιτούν μια γρηγορότερη ταχύτητα προώθησης από τα σκληρά υλικά.

Η φρέζα μπορεί να μπλοκάρει, όταν δε χρησιμοποιείται σωστά ή όταν υπερφορτωθεί. Ελαττώστε την ταχύτητα προώθησης, για την αποφυγή πιθανών ζημιών στο εργαλείο. Ελέγχετε πάντοτε πριν τη χρήση, αν ο σφικτήρας είναι σφιγμένος καλά. Χρησιμοποιείτε πάντοτε φρέζες διαμόρφωσης με το μικρότερο απαιτούμενο μήκος κοπής, για να πραγματοποιήσετε το επιθυμητό κόψιμο. Αυτό ελαχιστοποιεί τον κίνδυνο χαλάρωσης και τους κραδασμούς της φρέζας διαμόρφωσης.

Διαμόρφωση ακμών

Όταν διαμορφώνετε ακμές, χρησιμοποιείτε πάντοτε οδηγούμενες ή εδραζόμενες φρέζες. Το κάτω μέρος μιας οδηγούμενης φρέζας είναι ένα στέλεχος χωρίς κόμεις. Οι εδραζόμενες φρέζες έχουν ένα ρουλεμάν για την οδήγηση της φρέζας.

Ο οδηγός ολισθαίνει κατά μήκος της ακμής εργασίας και τα περιστερωμένα μαχαίρια εκτελούν το κόψιμο, διαμορφώνοντας τις διακοσμητικές ακμές. Η ακμή, πάνω στην οποία ολισθαίνει ο οδηγός, πρέπει να έχει άψογη λείανση, επειδή κάθε τυχόν ανωμαλία μεταφέρεται στην επιφάνεια διαμόρφωσης.

Όταν φρεζάρετε ένα επεξεργαζόμενο κομμάτι που χρειάζεται διαμόρφωση ακμών εγκάρσια στις ίνες του ξύλου, φρεζάρετε πάντοτε πρώτα την ακμή που είναι εγκάρσια στις ίνες του ξύλου προτού να φρεζάρετε τις ακμές που ακολουθούν τις ίνες του ξύλου. Αυτό ελαχιστοποιεί τον κίνδυνο να ξεφτίσει το τέλος της εγκάρσια στις ίνες του ξύλου ακμής.

Κατεύθυνση εργασίας της φρέζας

Όταν κανείς κοιτά από επάνω, ο άξονας της φρέζας περιστρέφεται προς την κατεύθυνση των δεικτών του ρολογιού. Για τον καλύτερο έλεγχο και την καλύτερη ποιότητα της κοπής, προωθείτε το εργαλείο στο επεξεργαζόμενο κομμάτι στην κατεύθυνση, στην οποία η φρέζα τείνει να εισχωρήσει η ίδια μέσα στο ξύλο. Μια λάθος κατεύθυνση εργασίας γίνεται αιτία να προσπαθεί η φρέζα να περάσει πάνω από το ξύλο.

Πρωθείτε το εργαλείο στην κατεύθυνση που φαίνεται στην εικόνα. Όταν κόβετε γύρω από την ακμή ενός τετράγωνου κομματιού, οδηγείτε το εργαλείο αντίθετα στην κατεύθυνση των δεικτών του ρολογιού. Όταν φρεζάρετε την εσωτερική επιφάνεια, όπως φαίνεται στην εικόνα, οδηγείτε το εργαλείο προς την κατεύθυνση των δεικτών του ρολογιού (Εικ. 10).

ΠΑΡΑΤΗΡΗΣΗ: Η κατεύθυνση εργασίας είναι εξαιρετικά σημαντική, όταν χρησιμοποιείτε μια οδηγούμενη φρέζα για ελεύθερο φρεζάρισμα στην ακμή ενός επεξεργαζόμενου κομματιού.

Βλέπε Εικ. 10:

- A** Κατεύθυνση εργασίας της φρέζας
- B** Φρεζάρισμα πρώτα εγκάρσια στις ίνες του ξύλου
- C** Περιτροπή της φρέζας

ΣΥΝΑΡΜΟΛΟΓΗΣΗ ΤΟΥ ΟΔΗΓΟΥ ΑΚΜΗΣ

Για τη χρήση του οδηγού ακμής, συναρμολογήστε τις ράβδους οδήγησης στο στήριγμα του εργαλείου και ασφαλίστε τις, χρησιμοποιώντας (2) #10-24 τετράγωνα παξιμάδια και (2) κουμπιά ράβδων οδήγησης (Εικ. 11).

Τα τετράγωνα παξιμάδια περνούν μέσα στην εγκοπή πάνω από τις ράβδους οδήγησης. Τα κουμπιά των ράβδων οδήγησης τοποθετούνται από επάνω, μέσα από τις τρύπες στα από κάτω ευρισκόμενα παξιμάδια και ενάντια στις ράβδους. Στερεώστε τον οδηγό ακμής στις ράβδους οδήγησης, χρησιμοποιώντας τα κουμπιά του οδηγού ακμής και τα εξάγωνα παξιμάδια.

Τοποθετήστε τα εξάγωνα παξιμάδια κάτω από τον οδηγό ακμής και σφίξτε τα με τα κουμπιά του οδηγού ακμής στην επάνω επιφάνεια του οδηγού. Σπρώξτε τον οδηγό ακμής στις ράβδους οδήγησης, όπως φαίνεται στην εικόνα. Ρυθμίστε τον οδηγό ακμής στην επιθυμητή απόσταση από τον κόφτη και σφίξτε τα κουμπιά του οδηγού ακμής. (Βλέπε Εικ. 11)

Ο οδηγός ακμής χρησιμοποιείται για διαμόρφωση ακμών, κόψιμο αρμών, οσοισοπιών, υποδοχών, ξύλινων συνδέσεων, αυλακιών, σχισμών και φάλτσων. Προσέξτε να προωθείτε το εργαλείο έτσι, ώστε ο κόφτης να τείνει να τραβά τον οδηγό ακμής πάνω στο ξύλο. Μια συνεχής ταχύτητα προώθησης δίνει ένα λείο κόψιμο.

Γενικά θα πρέπει να γίνονται περισσότερα "ρηχά" κοψίματα, όταν χρειάζεται ένα βαθύ αυλάκι. Το μέγιστο βάθος κοπής είναι ανάλογο με το χρησιμοποιούμενο υλικό. Μην προωθείτε το εργαλείο τόσο γρήγορα, ώστε να επιβραδύνεται αισθητά ο κινητήρας.

Βλέπε Εικ. 11:

- A** Βίδα ρύθμισης του βάθους
- B** Κουμπιά ράβδου οδήγησης
- C** Τετράγωνα παξιμάδια
- D** Ράβδοι οδήγησης
- E** Οδηγός ακμής
- F** Καρφι φινιρίσματος
- G** Κυκλικός οδηγός
- H** Εξάγωνα παξιμάδια
- I** Κουμπιά οδηγού ακμής

ΟΔΗΓΟΣ ΑΚΜΗΣ

Τοποθέτηση

1. Τοποθετήστε τον οδηγό ακμής στη βυθιζόμενη φρέζα στις βάσεις στερέωσης (Εικ. 12).

Βλέπε Εικ. 12:

- A** Βάσεις στερέωσης
 - B** Οδηγός ακμής
2. Τοποθετήστε τον παράλληλο οδηγό πάνω στην επιφάνεια εργασίας με τη φρέζα διαμόρφωσης στην επιθυμητή θέση.
 3. Σφίξτε τις βίδες τύπου πεταλούδας.

Φρεζάρισμα με οδηγό ακμής

Σπρώξτε την επίπεδη πλευρά του οδηγού ακμής κατά μήκος της επιφάνειας εργασίας.

ΚΥΚΛΙΚΟΣ ΟΔΗΓΟΣ

Φρεζάρισμα τόξων και κύκλων

1. Αφαιρέστε τον οδηγό ακμής και προσδέστε το βραχίονα στήριξης του κυκλικού οδηγού στις ράβδους οδήγησης (Εικ. 13).

Βλέπε Εικ. 13:

- A** Καρφι φινιρίσματος
 - B** Οδηγός ακμής
2. Χρησιμοποιήστε το καρφι φινιρίσματος, που χρησιμεύει ως σημείο περιστροφής. Ρυθμίστε τον κυκλικό οδηγό στην επιθυμητή ακτίνα.
 3. Περάστε το καρφι μέσα από την τρύπα στον οδηγό και τοποθετήστε το καρφι στο κέντρο της επιθυμητής ακτίνας που πρέπει να κοπεί.

ΑΝΤΙΓΡΑΦΙΚΑ

Η χρήση αντιγραφικών προτύπων σας επιτρέπει να αντιγράφετε όμοια σχέδια ή γράμματα το ένα μετά το άλλο. Αυτή η τεχνική απαιτεί τη χρήση ενός δακτυλίου οδηγού.

ΔΑΚΤΥΛΙΟΙ ΟΔΗΓΟΙ

Ο δακτύλιος οδηγός φαίνεται στην (Εικ. 14), αποτελείται κυρίως από μια πλάκα μ' ένα περιλαίμιο, που εισάγεται στην οπή της βάσης, όπως φαίνεται στην εικόνα, και ασφαλίεται βιδώνοντας ένα δακτυλιοειδές παξιμάδι στο επάνω μέρος του δακτυλίου οδηγού. Ο δακτύλιος οδηγός οδηγεί κατά μήκος της ακμής του αντιγραφικού, ενώ η φρέζα διαμορφώνει, προεξέχουσα από κάτω, κόβει το επεξεργαζόμενο τεμάχιο.

Βλέπε Εικ. 14:

- A** Δακτυλιοειδές
- B** Δακτύλιος οδηγός
- C** Βάση

ΠΡΟΣΟΧΗ: Βεβαιωθείτε, ότι το πάχος του αντιγραφικού είναι το ίδιο ή μεγαλύτερο από το μήκος του δακτυλίου που προεξέχει κάτω από τη βάση.

Μη χρησιμοποιείτε καμία φρέζα, που θα μπορούσε να ακουμπήσει το εσωτερικό του πε-ριλαίμιου. Επιλέξτε μια φρέζα με διάμετρο το λιγότερο κατά 2 mm μικρότερη από την εσωτερική διάμετρο του περιλαίμιου.

Επιπλέον μπορούν να προετοιμαστούν εύκολα ειδικά αντιγραφικά για κόψιμο επαναλαμβανόμενων δειγμάτων, ειδικών σχεδίων, διακοσμητικών και άλλων εφαρμογών. Ένα αντιγραφικό πρότυπο μπορεί να κατασκευαστεί από κοντραπλακέ, ινσανίδα, μέταλλο ή ακόμα και από πλαστικό και το σχέδιο μπορεί να κοπεί, χρησιμοποιώντας φρέζα, σέγα ή άλλο κατάλληλο εργαλείο κοπής. Λάβετε υπόψη σας, ότι το πρότυπο πρέπει να κατασκευαστεί έτσι ώστε να εξουδετερώνει την απόσταση μεταξύ της φρέζας και του δακτυλίου οδηγού (το "offset"), επειδή το τελικό επεξεργαζόμενο τεμάχιο διαφέρει στο μέγεθος από το αντιγραφικό κατ' αυτή τη διάσταση, λόγω της θέσης της φρέζας (Εικ. 15).

Βλέπε Εικ. 15:

- A** Φρέζα διαμόρφωσης
- B** Σφιγκτήρας
- C** Δακτύλιος οδηγός
- D** Βάση
- E** Αντιγραφικό πρότυπο
- F** Επεξεργαζόμενο τεμάχιο
- G** Offset

ΕΛΕΥΘΕΡΟ ΦΡΕΖΑΡΙΣΜΑ

Πολλά εφέ επιτυγχάνονται, χρησιμοποιώντας τη φρέζα για ελεύθερο φρεζάρισμα με μια φρέζα διαμόρφωσης μικρής διαμέτρου. Κανονικά ο ξυλουργός σχεδιάζει το εξωτερικό περίγραμμα ή το σκίτσο που επιθυμεί πάνω στο επεξεργαζόμενο τεμάχιο και χρησιμοποιεί μετά τη γραμμή ως οδηγό.

ΣΕΡΒΙΣ ΚΑΙ ΕΓΓΥΗΣΗ

Αυτό το προϊόν DREMEL είναι εγγυημένο σύμφωνα με τους νομικούς/τοπικούς κανονισμούς. Οι ζημιές που οφείλονται σε κανονική φθορά και στάσιμο, υπερφόρτωση ή εσφαλμένο χειρισμό αποκλείονται από την εγγύηση.

Σε περίπτωση διαμαρτυρίας, στείλετε το εργαλείο συναρμολογημένο μαζί με την απόδειξη αγοράς στον προμηθευτή σας.

ΕΠΑΦΗ ΜΕ DREMEL

Περισσότερες πληροφορίες σχετικά με τη συλλογή Dremel, υποστήριξη και hotline, θα βρείτε στην ιστοσελίδα www.dremel.com

Dremel Europe, P.O. Box 3267, 4800 DG Breda, Ολλανδία

TR

GENEL GÜVENLİK TALİMATLARI



UYARI

ÜRÜNLERE AİT BÜTÜN
TALİMATLARI OKUYUN.

Aşağıda açıklanan talimatlara aykırı davranışta, elektrik çarpmalarına, yangınlara ve/veya ağır yaralanmalara neden olabilir. Aşağıda kullanılan "Elektrikli El Aleti" kavramı, akım şebekesine bağlı (şebeke bağlantı kablosu ile) aletlerle akü ile çalışan aletleri (akım şebekesine bağlantısı olmayan aletler) kapsamaktadır.

BU TALİMATLARI GÜVENLİ BİR ŞEKİLDE SAKLAYINIZ

ÇALIŞMA YERİ


- Çalıştığınız yeri temiz ve düzenli tutun. Karmaşık ve karanlık alanlar kazalara davetiye çıkarır.
- Yakınında yanıcı sıvılar, gazlar veya tozlar bulunan patlama tehlikesi olan yerlerde elektrikli el aletinizi kullanmayın. Elektrikli el aletleri, toz veya buharların tutuşmasına neden olabilecek kıvılcıklar çıkarırlar.
- Elektrikli el aletinin ile çalışırken çocukları ve başkalarını uzak tutun. Dikkatiniz dağılacak olursa aletin kontrolünü kaybedebilirsiniz.

ELEKTRİK GÜVENLİĞİ

- Aletin fişi prize uymalıdır. Fişi hiçbir zaman değiştirmeyin. Topraklanmış aletlerle birlikte adaptör fiş kullanmayın. Değiştirilmemiş fiş ve uygun priz elektrik çarpmaya tehlikesini azaltır.
- Borular, kalorifer petekleri, ısıtıcılar ve buzdolapları gibi topraklanmış yüzeylerle bedensel temastan kaçının. Bedeniniz topraklandığında büyük bir elektrik çarpmaya tehlikesi ortaya çıkar.
- Aleti yağmur altında veya nemli yerlerde bırakmayın. Suyun elektrikli el aletinin içine sızması elektrik çarpmaya tehlikesini yükseltir.
- Kabluya sert muamele yapmayın. Aleti kablosundan tutarak taşımayın, kabloyu kullanarak asmayın veya fişi kablodan çekerek çıkarmayın. Kabloyu ısıdan, yağdan, keskin kenarlı cisimlerden veya aletin hareketli parçalarından uzak tutun. Hasarlı veya dolanmış kablo elektrik çarpmaya tehlikesini yükseltir.

- Bir elektrikli el aleti ile açık havada çalışırken, mutlaka açık havada kullanılmaya müsadeeli uzatma kablosu kullanın. Açık havada kullanılmaya uygun uzatma kablosunun kullanılması elektrik çarpmaya tehlikesini azaltır.
- Elektrikli el aletinin nemli ortamlarda çalıştırılması şartsa, mutlaka toprak kaçağı devre kesicisi kullanın. Toprak kaçağı devre kesicisi kullanımı elektrik çarpmaya tehlikesini azaltır.

KİŞİLERİN GÜVENLİĞİ

- Dikkatli olun, ne yaptığınıza dikkat edin, elektrikli el aleti ile işinizi makul bir tempo ve yöntemle yürütün. Yorgunsanız, aldığınız hapların, ilaçların veya alkolün etkisinde iseniz aletinizi kullanmayın. Aleti kullanırken bir anki dikkatsizlik önemli yaralanmalara neden olabilir.
-  Kişisel koruyucu donanım kullanımı. Her zaman göz koruyucu takın. Elektrikli el aletinin türü ve kullanımına uygun olarak; toz maskesi, kaymayan iş ayakkabıları, koruyucu kask veya koruyucu kulaklık gibi koruyucu donanım kullanımı yararlanma tehlikesini azaltır.
- Aleti yanlışlıkla çalıştırmaktan kaçının. Fişi prize takmadan önce aletin kapalı olduğundan emin olun. Aleti taşırken parmağınız şalter üzerinde durursa ve alet açırken fişi prize sokarsanız kazalara neden olabilirsiniz.
- Aleti çalıştırmadan önce ayar aletlerini veya anahtarları aletten çıkarın. Aletin dönen parçaları içinde bulunabilecek bir yardımcı alet yaralanmalara neden olabilir.
- Çok fazla yaklaşmayın. Her zaman arada uygun bir mesafe bırakın. Çalışırken dikkatli olun ve denginizi her zaman sağlayın.
- Uygun iş elbiseleri giyin. Geniş giysiler giymeyin ve takı takmayın. Saçlarınızı, giysilerinizi ve eldivenlerinizi aletin hareketli parçalarından uzak tutun. Bol giysiler, uzun saçlar veya takılar aletin hareketli parçaları tarafından tutulabilir.
- Toz emme ve toplama donanımını cihaz ile birlikte verildiyse, bunların düzgün biçimde bağlandığından ve kullanıldığından emin olun. Bu donanımların kullanılması tozdan kaynaklanacak tehlikeleri azaltır.
- Elektrikli el aletinizle asbest içeren maddeleri işlemeyin (asbest kanserojen bir madde olarak kabul edilir).
- Çalışma sırasında sağlığa zararlı, yanıcı veya patlayıcı tozların çıkma olasılığı varsa gerekli koruyucu önlemleri alın (bazı tozlar kanserojen sayılır); koruyucu toz maskesi takın ve eğer aletinize takılıyorsa bir toz/tales emme tertibatı bağlayın.

ELEKTRİKLİ EL ALETLERİNİN ÖZENLE KULLANIMI VE BAKIMI

- Aleti aşırı ölçüde zorlamayın. Yaptığınız işlere uygun elektrikli el aletleri kullanın. Uygun performanslı elektrikli el aleti ile, belirlenen çalışma alanında daha iyi ve güvenli çalışırsınız.
- Şalteri bozuk olan elektrikli el aletini kullanmayın. Açılıp kapanmayan bir elektrikli el aleti tehlikelidir ve onarılmamıştır.
- Alette bir ayarlama işlemine başlamadan önce, herhangi bir aksesuar değiştiren veya aleti elinizden bırakırken fişi prizden çekin. Bu önlem, aletin yanlışlıkla çalışmasını önler.
- Kullanım dışı duran elektrikli el aletlerini çocukların ulaşamayacağı bir yerde saklayın. Aleti kullanmayı bilmeyen veya bu kullanım kılavuzunu okumayan kişilerin alette çalışmasına izin vermeyin.
- Aletin bakımını özenle yapın. Aletin kusursuz olarak işlev görmesini engelleyebilecek bir durumun olup olmadığını, hareketli parçaların kusursuz olarak işlev görüp görmediklerini ve sıkışık sıkışmadıklarını, parçaların hasarlı olup olmadığını kontrol edin. Aleti kullanmaya başlamadan önce hasarlı parçaları onartın. Birçok iş kazası aletin kötü bakımından kaynaklanır.
- Kesici uçları daima keskin ve temiz tutun. Özenle bakımı yapılmış keskin kenarlı kesme uçlarının malzeme içinde sıkışma tehlikesi daha azdır ve daha rahat kullanım olanağı sağlarlar.

- g. Elektrikli el aletini, aksesuarı, uçları ve benzerlerini, bu özel tip alet için öngörülen talimata göre kullanın. Bu sırada çalışma koşullarını ve yaptığınız işi dikkate alın. *Elektrikli el aletlerinin kullanım alanları dışında kullanılmaları tehlikeli durumlara neden olabilir.*

AKÜLÜ ALETİN ÖZENLİ BAKIMI VE KULLANIMI

- a. Aküyü yerini yerleştirmeden önce aletin kapalı olduğundan emin olun. *Açık bulunan bir elektrik el aletine akünün yerleştirilmesi kazalara neden olabilir.*

GÜVENLİK TALİMATI FREZE İÇİN

GENEL

- Bu alet 16 yaşının altındaki kişiler tarafından kullanılmamalıdır.
- İsteddiğiniz ayar değişikliklerini ve aksesuar değişikliklerini yapmadan önce mutlaka şebeke fişini prizden çekin.

AKSESUARLAR

- Bu aletle kullanacağınız aksesuarın devir sayısı en azından aletin boştaki en yüksek devir sayısı kadar olmalıdır.
- Hasarlı veya şekli bozulmuş freze başı kullanmayın.
- Sadece keskin freze başı kullanın.
- Aksesuarları çarpmalardan, darbelerden ve yağlı ortamlardan koruyun.

KULLANMADAN ÖNCE

- İş parçasının vida, çivi ve benzeri malzemeler tarafından hasar görmemesi için dikkatli olun; çalışmaya başlamadan önce bunları çıkartın.
- Güç geriliminin, cihazın özellik plakasında belirtilen voltaj değeriyle aynı olduğunu sık sık kontrol edin (230V veya 240V aletler 220V kaynağa bağlanabilir).
- Kendi ağırlığıyla hareketsiz kalmazsa bir parçayla sıkıştırın.
- Kurşun içeren boya, bazı ahşap türleri, mineral ve metal gibi malzemelerden çıkan toz zararlı olabilir (tozla temasta bulunulması veya solunması operatörde veya yakında bulunan kişilerde alerjik reaksiyonlara ve/veya solunum yolu hastalıklarına neden olabilir); toz maskesi takın ve toz ekstraksiyon cihazıyla çalışın (bağlanabiliyorsa).
- Çalışmak istediğiniz malzemelerin, toz ile ilgili ulusal taleplerini takip ediniz.
- Fişe takarken aletin kapalı olduğundan emin olun.

KULLANIM SIRASINDA

- Kabloyu her zaman aletin hareketli parçalarından uzak tutun; kabloyu arka tarafta, aletten uzakta bulundurun.
- Cihazı kablo ve taban levhası (= koruyucu muhafaza) hasarlıyken kullanmayın, hasarlı parçaların yetkili kişi tarafından değiştirilmesini sağlayın.
- Alet açılırken eller ve parmaklar freze başının yakınında olmamalıdır.
- Elektriksel veya mekaniksel hatalı çalışma durumunda aleti hemen kapatın ve fişi çekin.
- Freze başı durup araçta titreme olduğunda aracı hemen kapatın.
- Akım kesilmesi sırasında veya fişin yanlışlıkla yerinden çıkması durumunda, kontrolsüz tekrar çalışmasını önlemek üzere aleti hemen kapatın.
- Cihazın hareketsiz kalmasına neden olacak kadar basınç uygulamayın.

ÇEVRE

KORUMASI

Elektrikli el aleti, aksesuar ve ambalaj malzemesi çevre dostu bir yöntemle tasfiye edilmek üzere geri dönüşüm merkezine gönderilmelidir.

SADECE AB ÜYESİ ÜLKELER İÇİN



Elektrikli el aletini evsel çöplerine içine atmayın! Elektrikli el aletleri ve eski elektronik aletlere ilişkin 2002/96/AT sayılı Avrupa Birliği yönetmeliği ve bunların tek tek ülkelerin hukuklarına uyarlanması uyarınca, kullanım ömrünü tamamlamış elektrikli el aletleri ayrı ayrı toplanmak ve çevre dostu bir yöntemle tasfiye edilmek üzere yeniden kazanım merkezlerine gönderilmek zorundadır.

UYGULAMA

- Uygun freze başı kullanın.
- İş parçasının kenarına paralel kesme yapmak için yan dayanak kullanın.
- İş parçasının kenarından uzak paralel kesme işleri için:
 - İş parçasının üzerine masif bir tahta parçasını 2 kısıkla monte edin.
 - Dik frezenin taban levhasının yassı kenarını tahta parçasının kenarı boyunca yönlendirin; bu işlem sırasında tahta parçası yan dayanak olarak işlev görür.
- Aletin ve aksesuarlarının bakımını yaparak, ellerinizi sıcak tutarak ve iş modellerinizi düzenleyerek kendinizi titreşimin etkilerinden koruyun.

ÇALIŞTIRMA KONTROLLERİ

Bkz Şekil 1:

- A Dremel Döner El Aleti
- B Hız Kontrolü
- C Montaj Anahtar & Saklama Alanı
- D Sap (kilitlemek için çevirin)
- E Pens Somununu Depolama Alanı (Anahtar dahil değildir)
- F Derinlik Cetveli (İngiliz/Metrik)
- G Kenar Kılavuzu
- H Daire Kılavuzu
- I Şaft Kilitleme Düğmesi
- J Sap (sabit)
- K Ayar Somunu, Alt
- L Derinlik Tahdidi
- M Ayar Somunu, Üst
- N Bırakma Düğmesi

MONTAJ

KANAL FREZE EK PARÇASINI EL ALETİNİZE TAKMA

DREMEL 300, 395, 398, 400, 4000 DÖNER EL ALETLERİYLE KULLANMAK İÇİN EK PARÇA.



UYARI

Herhangi bir montaj ayarı yapmadan veya aksesuarları değiştirmeden önce fişi elektrik prizinden ayırın. Bu tür koruyucu önlemler, el aletinin yanlışlıkla başlatılması riskini azaltır.

1. Pens somununu sökün, ardından gövde başlığını döner el aletinizden ayırın ve gövde başlığını bir kenara koyun (Şek. 2). Bu ek parça kullanılmadığında gövde başlığı tekrar takılmalıdır. Gövde başlığı çıkartıldıktan sonra pens somununu yeniden takın.

Bkz Şekil 2:

A Gövde Başlığı

2. El aletinizi freze ek parçasına, şaft kilitleme düğmesi şeklindeki gibi (Şek. 3) ileri bakacak şekilde yerleştirin.
3. Montaj somununu Döner El Aletinizin yivli kısmına saat yönünde çevirerek vidalayın ve birlikte verilen montaj anahtarıyla iyice sıkın.

Bkz Şekil 3:

- A** Montaj Anahtarı
B Montaj Somunu
C Şaft Kilitleme Düğmesi

KULLANIM TALIMATLARI

DİKKAT: Bu ek parça Dremel Döner El Aletini frezeleme, pah kırma, gravür işleme ve dairesel kesme işlemleri için bir Kanal Frezeyeye dönüştürür. Bu freze ek parçası serbest veya kopyalama uçlu frezeleme işleri için kullanıma hazır ve monte edilmiş bir şekilde verilmektedir.

Kılavuz çubuklarını düzenli temizleme ve yağlama kanal açma işleminin pürüzsüz olmasını sağlar. Kanal frezeyi bastırıp kilitleyin ve kılavuz çubuklarının üst kısmına hafif bir yağlama maddesi (örn. parafin, pişirme yağı) uygulayın.



UYARI

Bu Freze Ek Parçası bir freze veya testere tezgahının altında kullanılmak üzere tasarlanmamıştır.

Aksesuar özellikleri

Bkz. Şekil 4A.

FREZE UCUNU YERLEŞTİRME

Freze uçları bir pens sistemiyle el aletine sabitlenir. **Uç, döner el aleti ek parçaya yerleştirildikten önce veya sonra takılabilir.**

1. Pens somununu ve mil döndürürken şaft kilitleme düğmesini basılı turun. Kilit kenetlenip şaftı tutuncaya kadar pens somununu ve şaftı çevirmeye devam edin (Şek. 4).
2. Dremel Döner El Aletinizin anahtarını kullanın ve pens somununu gevşetmek üzere saat yönünün tersine çevirin.
3. Şaft kilitleme düğmesini bırakın.
4. Uçun düzgün tutulmasını ve merkezden kaçıklığın aşgari düzeyde tutulmasını sağlamak için freze ucunu pense mümkün olduğunca derine yerleştirin. Uçun kesilmesini veya çatlamasını önlemek için ucu, uç kanalları pense veya pens somununa değecek kadar derine yerleştirmeyin.

NOT: Asla el aletini, uç tezgahın üstünün veya çalışma yüzeyinin temel biriminden dışarı çıkacak şekilde yerleştirmeyin. Tezgahın veya alışma yüzeyinin üzerine ayarlamadan önce el aletini yan yatırın veya ucu çıkartın. Dışarı taşan uçlar el aletinin fırlamasına sebep olabilir.

5. Şaft kilitleme düğmesini yeniden kenetleyin ve pens somununu sıkın; önce elle, ardından uç sıkıca tutuluncaya kadar anahtarı kullanarak.

Bkz Şekil 4B:

- A** Pens Somunu Anahtarı
B Temel birim
C Pens Somunu
D Şaft Kilitleme Düğmesi

FREZELEME DERİNLİĞİNİ AYARLAMA

NOT: Derin kesimler yaparken, özellikle iş parçasının kenarından uzaktaki frezeleme işlerinde, bir kerede derin bir kesim yapmak yerine derinlik ararını ve derinlik cetvelini kullanarak arka arkaya birden fazla kademeli derinlikte kesimlerin yapılması önerilir.

Derinlik sınırlayıcısı iki derinlik için ayarlanabilir.

1. Dremel Döner El Aletinizi ve Freze grubunu iş parçasının üzerine yerleştirin.
2. Derinlik tahdidi serbestçe hareket edecek şekilde üst ayar somununu yukarıya doğru ve alt ayar somununu aşağıya doğru çevirin (Şek. 5).

Bkz Şekil 5:

- A** Derinlik Tahdidi
B Üst Ayar Somunu
C Alt Ayar Somunu

3. Kilitleme sapını gevşetin (Şek. 6). El aletini, freze ucu iş parçasına değinceye kadar yavaşça indirin.

Bkz Şekil 6:

- A** Sap
B Bırakma Düğmesi

4. El aletini yerine sabitlemek için kilitleme sapını sıkın.
5. Derinlik tahdidi frezenin temel birimine değecek şekilde bırakma düğmesini basılı tutun.

1. Frezeleme Derinliği

6. Derinlik tahdidini, X ölçüsü istenen birinci frezeleme derinliğine eşit olacak şekilde çevirin (Şek. 7).

NOT: 1 tur .06" (1,5 mm) ölçüsüne eşittir

Bkz Şekil 7:

- A** Derinlik Tahdidi
B Üst Ayar Somunu

7. Üst ayar somununu, freze çerçevesine doğru sıkı olacak şekilde aşağıya doğru çevirin.

2. Frezeleme Derinliği

8. Derinlik tahdidini, X ölçüsü istenen ikinci frezeleme derinliğine eşit olacak şekilde çevirin. Üst ayar somununu, freze çerçevesinden kalkarak uzaklaşacak şekilde derinlik tahdidıyla birlikte döndürüldüğünden emin olun (Şek. 8).

Bkz Şekil 8:

- A** Derinlik Tahdidi
B Alt Ayar Somunu

9. Alt ayar somununu, freze çerçevesine doğru sıkı olacak şekilde yukarıya doğru çevirin.

NOT: Alt ayar somunu sıkılırken üst ayar somunu sabit kalmalıdır.

10. 1. veya 2. frezeleme derinliğini seçmek için bırakma düğmesine basın (Şek. 9).

NOT: Her frezeleme derinliğinin ayrı bir denemeye kontrol edilmeli ve gerekirse yeniden ayarlanmalıdır.

Bkz Şekil 9:

- A** Bırakma Düğmesi

Frezeleme işlemi tamamlandığında, sapı gevşetin ve frezeyi en üst konuma geri getirin.

FREZENİN İLERLETİLMESİ

Frezenin kontrolü zorsa, freze ısınıyorsa, çok yavaş çalışıyorsa veya kusura bir kesim yapıyorsa, bunun sebepleri aşağıdakiler olabilir:

- Yanlış ilerletme yönü – kontrolü zor.
- Çok hızlı ilerletme – motora aşırı yüklenir.

- Kör uç - motora aşırı yüklenir.
 - Kesim tek paso için çok büyük - motora aşırı yüklenir.
 - İlerletme çok yavaş - iş parçasında sürtünme yanıkları bırakır.
- Pürüzsüzce ve sabit olarak besleyin (zorlamayın). Kısa bir süre içinde frezenin en iyi çalıştığı esnada nasıl ses çıktığını ve elinize nasıl bir his verdiğini öğrenirsiniz.

İlerletme hızı

Tahta ve plastik malzemelerle frezeleme veya frezelemeyle ilgili bir iş yaparken en iyi sonuçlar, kesme derinliğinin ve ilerletme hızının motorun yüksek hızda çalışmasına göre ayarlanmasıyla elde edilir. Frezeyi orta seviyedeki bir hızda ilerletin. Yumuşak malzemelerde sert malzemelere göre daha yüksek ilerletme hızı gerekir. Doğru kullanılmazsa veya aşırı yüklenme olursa freze durabilir. El aletine olası bir zarar gelmesini önlemek için ilerletme hızını azaltın. Kullanmadan önce pens somununun iyice sıkılmış olduğunu kontrol edin. Her zaman istenen kesim için gerekli uzunluğa sahip en kısa freze uçlarını kullanın. Bu, ucun merkezden kaçıklığını ve çatırdamayı asgari düzeye indirir.

Gravür İşleme

Gravür işlemede her zaman kopyalama uçları veya rulmanlı uçlar kullanın. Kopyalama ucunun alt kısmı kesme kenarları olmayan bir uçtur. Rulmanlı uçlarda kopyalama için bir rulman bulunur. Kopyalama ucu orijinal parçanın kenarları boyunca kayarken, döner bıçaklar kesimi gerçekleştirerek dekoratif kenarların oluşmasını sağlar. Üzerinde kopyalama ucunun kaydığı kenar kusursuz bir şekilde pürüzsüz olmalıdır, aksi takdirde herhangi bir bozukluk biçimlendirilen yüzeye aktarılır. Uç damarda kenar biçimlendirme gerektiren iş parçasını frezeleyen, uç damar kenarını her zaman damarı takip eden kenarlardan önce frezeleyin. Bu, uç damarın sonunda çatılamadan dolayı hasar görme olasılığını asgari düzeye indirir.

Freze İlerletme yönü

Freze mili üstten bakıldığında saat yönünde döner. En iyi kesme kontrolü ve kalitesi için, aleti iş parçasının içine doğru, ucun kendini tahtanın içine çekme eğiliminde olacağı yönde ilerletin. Yanlış ilerletme yönü ucun tahtanın üzerine tırmanmasına sebep olur. Burada gösterilen yönde frezeleyin. Bir kare parçanın kenarını frezeleyen, el aletini saat yönünün tersi yönde hareket ettirin. İş yüzeyi frezeleyen saat yönünde hareket ettirin (Şek. 10).

NOT: Bir iş parçasının kenarı üzerinde kopyalama ucunu serbest olarak kullanırken ilerletme yönü son derece önemlidir.

Bkz. Şekil 10:

- A Freze İlerletme yönü
- B Uç Damarı İlk Önce Frezeleme
- C Uç Dönüşü

KENAR KILAVUZU

Kenar kılavuzunu kullanmak için, kılavuz çubuklarını ek aleti tutucu grubuna takın, (2) #10-24 kare somunları ve (2) kılavuz çubuğu tokmaklarını (Şek. 11) kullanarak sabitleyin.

Kare somunlar kılavuz çubukları üzerindeki yuvaların içine kayacaklardır. Kılavuz çubuğu topuzları üstte deliklerin içinden, altta somunların içinden geçirilerek çubuklara karşı monte edilir. Kılavuz topuzlarını ve altıgen başlı somunları kullanarak kenar kılavuzunu kılavuz çubuklarına sabitleyin.

Altıgen başlı somunları kenar kılavuzunun altına konumlayın ve kenar kılavuz topuzlarıyla kenar kılavuzunun üst yüzeyine sabitleyin. Kenar kılavuzunu grubunu şekilde gösterildiği gibi kılavuz çubuklarının üzerinde kaydırın. Kenar kılavuzunu kesiciden istenen mesafeye ayarlayın ve kenar kılavuz topuzlarını sıkın. (Bkz. Şek. 11)

Kenar kılavuz kenar biçimlendirme, oluk, süpürgelik, zıvana, dil, kanal, yuva ve pah açma için kullanılır. Kesici kenar kılavuzunu tahtaya karşı çekecek şekilde ilerletmeye dikkat edin. Sabit bir ilerletme pürüzsüz bir kesim sağlar.

Genel olarak, derin bir kanal açmak istendiğinde, birden fazla siğ kesim yapılmalıdır. Azami kesme derinliği kullanılan malzemeye göre değişir. Motorun hissedilebilir miktarda yavaşlamasına sebep olacak hızda ilerletmeyin.

Bkz Şekil 11:

- A Derinlik Ayar Vidası
- B Kılavuz Çubuğu Topuzu
- C Kare Somunlar
- D Kılavuz Çubukları
- E Kenar Kılavuzu
- F Sonlandırma Çivisi
- G Daire Kılavuzu
- H Altıgen Başlı Somunlar
- I Kenar Kılavuzu Topuzu

KENAR KILAVUZU

Montaj

1. Kenar kılavuzunu kanal freze montaj bloklarına takın (Şek. 12).

Bkz Şekil 12:

- A Montaj Blokları
- B Kenar Kılavuzu

2. Paralel kılavuz çalışma yüzeyine, freze ucu istenen konumda olacak şekilde yerleştirin.
3. El vidalarını sıkın.

Kenar Kılavuzuyla Frezeleme

Kenar kılavuzunun yassılaştırılmış kenarını çalışma yüzeyi boyunca kaydırın.

DAİRE KILAVUZU

Yay ve Daire Frezeleme

1. Kenar kılavuzunu sökün ve kılavuz çubuklarına daire kılavuz mesnetini takın (Şek. 13).

Bkz Şekil 13:

- A Sonlandırma Çivisi
- B Kenar Kılavuzu

2. Bir pergel noktası olarak birlikte verilen sonlandırma çivisini kullanın. İstenecek yanıp için daire kılavuzunu ayarlayın.
3. Çivi kılavuzdaki delikten geçirin ve kesilmesi istenecek yanıpın merkezine yerleştirin.

ŞABLONLAR

Şablon desenleri kullanılarak desenler veya harfler düzgün bir şekilde tekrar tekrar çoğaltılabilir. Bu teknik bir kılavuz burcunun kullanılmasını gerektirir.

KILAVUZ BURÇLARI

Şekildeki (Şek. 14) kılavuz burç esasında, tabandaki deliğe resimde gösterildiği gibi yerleştirilen ve bir burç tapasıyla kılavuz burcunun üstüne vidalanan gömlekli bir plakadır. Bu kılavuz burç şablonu kenar boyunca hareket ederken, alttan çıkan freze ucu iş parçasını keser.

Bkz Şekil 14:

- A Burcu Tapası
- B Kılavuz Burcu
- C Temel Birim

DĪKĀT: Šablonu kalnılgının, temel birimin altından çıkan burcun uzunluđuna eřiř veya ondan fazla olmasına dikkat edin. Gmleđin iine deđebilecek bir u kullanmayın. apı 2 mm daha az olan bir u sein.

Ayrıca, tekrarlı ve zel desenleri kesme, kakma iřleri ve diđer uygulamalar iin zel řablonlar kolayca hazırlanabilir. Bir řablon deseni kontrolatın, suntuadan, metalden, hatta plastikten olabilir ve desen bir freze, testere veya diđer uygun kesme takımlarıyla kesilebilir.

U konumu sebebiyle nihai iř parasının boyutu řablon desenden belirli bir miktar ("ofset") farklı olacađı iin, freze ucuyla ve kilavuz bur arasındaki mesafenin telafi edecek řekilde yapılması gerektiđini unutmayın (řek. 15).

Bkz řekil 15:

- A Freze uU
- B Pens Somunu
- C Kilavuz Burcu
- D Temel birim
- E řablon Desen
- F Iř parası
- G Ofset

SERBEST FREZELEME

Frezeley kk bir ula serbest olarak kullanarak birok efekt elde edilebilir. Genelde el iiři, iř parasına aktarmak istediđi diř hatları veya yazıtı kalemler ier ve kalem iizisini bir kilavuz olarak kullanır.

SERVİS VE GARANTİ

Bu DREMEL rn, yerel/ulusal yasal dzenlemelere uygun biimde, normal ařınma ve eskimeden kaynaklanan hasarları karřı garanti kapsamındadır; ařın yklenmeden veya uygun olmayan kullanımdan kaynaklanan hasarları garanti kapsamına alınmaz.

Herhangi bir řikayet durumunda, elektrikli el aletinizi *demonte etmeden* satın alma belgeniz ile birlikte bayinize gnderin.

DREMEL'E ULAřIN

Dremel alet donanımı, destek ve yardım hattı hakkında daha fazla bilgi iin www.dremel.com adresini ziyaret edin.

Dremel Europe, P.O. Box 3267, 4800 DG Breda, Hollanda

CZ

VřEOBECN BEZPENOSTNİ PŘEDPISY



VAROVÁNİ TĔTE VřECHNY POKYNY. *Chyby při dodřování nıže uvedených pokyn mohou zpsobit elektrick uder, pořr, event. těžk porannı. Nıže pouřit pojem "elektronřd" se vztahuje na elektronřd provozovan na el. sıtı (s přıpojovacım kabelem) a na elektronřd provozovan na baterii (bez přıpojovacího kabelu).*

TYTO PŘEDPISY DOBŘE USCHOVEJTE

PRACOVNİ MİSTO


- a. Udrıujte Vaře pracovní místo čist a uklızen. *Nepořdek a neosvtn pracovní oblasti mohou vst k rzm.*
- b. Se strojem nepracujte v prostředıch ohrožench explozı, kde se nachzejı hořlav kapaliny, plyny nebo prach. *Elektronřd vytvrı jiskry, kter mohou prach nebo pry zaplıt.*

- c. Dti a jin osoby udrıujte při pouřit elektronřd daleko od Vařeho pracovního místa. *Při rozptlenı mžete ztratıt kontrolu nad strojem.*

ELEKTRICK BEZPENOST

- a. Přıpojovací zstrka stroje musı licovat se zsuvkou. Zstrka nesmı bt zmnm zpsobem upravena. Spolen se stroji s ochrannm uzemnm nepouřıvejte řdn adaptrov zstrcky. *Neupraven zstrcky a vhodn zsuvky snııuđı riziko elektrickho deru.*
- b. Zabraňte kontaktu tla s uzemnnmi povrchy, jako např. potrubı, topenı, sporky a chladnıcky. *Je-li Vaře tlo uzemnno, existuje zvyřen riziko elektrickho deru.*
- c. Charte stroj před deřtm a vlhkem. *Vniknutı vody do elektrickho stroje zvyřuje nebezpeı elektrickho deru.*
- d. Dbejte na cel kabelu, nepouřıvejte jej k nořenı ċı zavsenı stroje nebo vytaženı zstrcky ze zsuvky. Udrıujte kabel daleko od tepla, oleje, ostrch hran nebo pohyblivch dıl stroje. *Pořkozen nebo spleten kabely zvyřuđı riziko elektrickho deru.*
- e. Pokud pracujete s elektronřdm venku, pouřıte pouze takove prodluıovacic kabely, kter jsou schvleny i pro venkovnı pouřıtı. *Pouřıtı prodluıovacího kabelu, jeř je vhodnı pro pouřıtı venku, snııuje riziko elektrickho deru.*
- f. Pokud se nelze vyhnot provozu elektronřdm ve vlhkm prostředı, pouřıte ochrannı jıřtıc. *Nasazenı ochrannho jıřtice snııuje riziko deru elektrickm proudem.*

BEZPENOST OSOB

- a. Buite pozornı, dvejte pozor na to, co dlte a přıstupujte k pıacı s elektronřdm rozumn. Stroj nepouřıvejte pokud jste unavenı nebo pod vıvlhem drog, alkoholu nebo lk. *Moment nepozornostı při pouřıtı elektronřd mže vst k vznamnm porannım.*
- b.  Noste osobnı ochrann pomcky a vdy ochrann bryle. *Nořenı osobnıch ochrannch pomcek jako maska proti prachu, bezpenostnı obuv s protısluzovou podřzkou, ochrann přılba nebo sluchtka, podle druhu nasazenı elektronřd, snııuđı riziko porannı.*
- c. Zabraňte nemyslnmu uvedenı do provozu. Pıesvdte se jeřte neř zstrcite zstrcku do zsuvky, že je elektronřd vypnut. *Mte-li při nořenı stroje prst na spınacı nebo pokud stroj pıřıpojte ke zdroji proudu zapnut, pak to mže vst k rzm.*
- d. Neř stroj zapnete, odsraňte seřızovací nstroje nebo řroubovk. *Nstroj nebo klı, kter se nachzı v otcivm dılu stroje, mže vst k porannı.*
- e. Nepřecenujte se. *Zajıřte si bezpen postoj a vdy udrıujte rovnovhu. Tım mžete stroj v neoekvanch situacıch lpe kontrolovat.*
- f. Noste vhodnı odv. *Neoneste řdn volnı odv nebo řperky. Vlasy, odv a rukavice udrıujte daleko od pohyblivch se dıl. Volnı odv, řperky nebo dlouh vlasy mohou bt zachyceny pohyblivcımı se dıly.*
- g. Lze-li namontovat odsvacic ċı zachycujıcı pıřpravky, pıesvdte se, že jsou pıřıpojeny a sprvne pouřıtı. *Pouřıtı tchto pıřıpravk snııuje ohroženı prachem.*
- h. **Nepracovvjte řdnm materil obsahujıcı azbest** (azbest je karcinogennı).
- i. **ıte ochrann opatřenı, pokud při pracı mže vzniknout zdravı řkodliv, hořlav nebo vbuřn prach** (nkter prach je karcinogennı); noste ochrannou masku proti prachu a pouřıte, lze-li jej pıřıpojit, odsvacic prachu ċı třısek.

SVĚDOMITÉ ZACHÁZENÍ A POUŽÍVÁNÍ ELEKTRONÁŘADÍ

- Stroj nepřetěžujte. Pro svou práci použijte k tomu určený stroj. *S vhodným elektronářadím budete pracovat v udané oblasti výkonu lépe a bezpečněji.*
- Nepoužívejte žádné elektronářadí, jehož spínač je vadný. *Elektronářadí, které nelze zapnout či vypnout je nebezpečné a musí se opravit.*
- Než provedete seřízení stroje, výměnu dílů příslušenství nebo stroj odložíte, vytáhněte zástrčku ze zásuvky. *Toto preventivní opatření zabrání neúmyslnému zapnutí stroje.*
- Uchovávejte nepoužívané elektronářadí mimo dosah dětí. Nenechte stroj používat osobám, které se strojem nejsou seznámeny nebo nečetly tyto pokyny. *Elektronářadí je nebezpečné, je-li používáno nezkušenými osobami.*
- Pečujte o stroj svědomitě. Zkontrolujte, zda pohyblivé díly stroje bezvadně fungují a nevzpříčují se, zda díly nejsou zlomené nebo poškozené tak, že je omezena funkce stroje. Poškozené díly nechte před nasazením stroje opravit. *Mnoho úrazů má příčinu ve špatně udržovaném elektronářadí.*
- Různé nástroje udržujte ostré a čisté. *Pečlivě ošetřované řezné nástroje s ostrými řeznými hranami se méně vzpříčují a dají se lehčeji vést.*
- Používejte elektronářadí, příslušenství, nasazovací nástroje apod. podle těchto pokynů a tak, jak je to pro ten určitý speciální typ stroje předepsáno. Respektujte přitom pracovní podmínky a prováděnou činnost. *Použití elektronářadí pro jiné než určující použití může vést k nebezpečným situacím.*

SERVIS

- Nechte Váš stroj opravit pouze kvalifikovaným odborným personálem a pouze s originálními náhradními díly. *Tím bude zajištěno, že bezpečnost stroje zůstane zachována.*

BEZPEČNOSTNÍ PŘEDPISY PRO HORNÍ FRÉZKU

OBCENĚ

- Tento nástroj nesmí používat osoby mladší 16 let.
- Před seřizováním, měněním pilových listů a příslušenství, vždy vytáhněte zástrčku nářadí z el. sítě.

PŘÍSLUŠENSTVÍ

- Používejte pouze příslušenství, jejichž dovolené otáčky jsou alespoň tak vysoké jako nejvyšší otáčky stroje naprázdno.
- Nepoužívejte poškozené ani deformované frézovací hlavy.
- Používejte pouze ostré frézovací hlavy.
- Chraňte příslušenství před nárazy, ořezy a mastnotou.

PŘED POUŽITÍM

- Vrtačku nepoužívejte je-li navlhla a nepracujte v blízkosti snadno zápalných nebo výbušných materiálů; před zahájením práce je odstraňte.
- Vždy zkontrolujte, zda je napájecí napětí stejné jako napětí uvedené na typovém štítku nástroje (nářadí určené k napájení 230V nebo 240V lze použít též v síti 220V).
- Pokud obrobek nezůstává stabilní svou vlastní vahou, proveďte jeho upnutí.
- Prach z látek, jako jsou barvy obsahující olovo, některé druhy dřeva, minerály a kovy, může být škodlivý (kontakt s prachem nebo jeho vdechnutí může způsobit alergickou reakci a/nebo vyvolat respirační choroby u obsluhy nebo přihlížejících); noste protiprachovou masku a pracujte se zařízením na odsávání prachu, pokud je možné jej připojit.

- Dodržujte stanovená nařízení pro práci v prašném prostředí.
- Přesvědčete se, zda je nástroj při zapojování do zásuvky vypnutý.

BĚHEM POUŽITÍ

- Šňůru udržujte vždy mimo dosah pohyblivých částí nástroje; šňůru nasměrujte dozadu, pryč od nástroje.
- Pila se nesmí používat, je-li její přírodní šňůra poškozená nebo nefunguje základové desce (= ochranný kryt); nechte si je kvalifikovaným pracovníkem vyměnit.
- Ruce a prsty nesmějí při zapnutí nářadí přijít do blízkosti frézovací hlavy.
- V případě atypického chování nebo cizích hluků ihned vypněte nářadí a vytáhněte zástrčku.
- Pokud dojde k zablokování frézovací hlavy, které se projeví trhavými pohyby nástroje, ihned nástroj vypněte.
- V případě přerušení proudu nebo při náhodném vytažení ze zásuvky ihned dejte, okamžitě nástroj vypněte, aby se přístroj náhodou samovolně opět nespustil.
- Nevyvíjejte na nástroj takový tlak, při kterém by došlo k jeho zastavení.

ŽIVOTNÍ PROSTŘEDÍ

ZPRACOVÁNÍ ODPADŮ

Elektronářadí, příslušenství a obaly by měly být tříděny a sbírány k opětovnému zhodnocení nepoškozujícím životní prostředí.

POUZE PRO ZEMĚ EU



Sítová nářadí nevyhazujte do komunálního odpadu! Podle evropské směrnice 2002/96/ES o starých elektrických a elektronických zařízeních a její implementace v národních zákonech musí být vyznačená sítová nářadí sbírána odděleně a likvidována způsobem nepoškozujícím životní prostředí.

NÁVOD K POUŽITÍ

- Používejte vhodné frézovací hlavy.
- Pro řezy rovnoběžné s okrajem obrobku používejte boční doraz.
- Při rovnoběžných řezech na obrobku daleko od okraje:
 - na obrobek upevněte dvěma upínacími svorkami masivní kus dřeva.
 - horní frézu vedte plochou stranou základní desky podél okraje kusu dřeva, který teď slouží jako boční doraz.
- Chraňte se před následky vibrací tak, že budete dbát na údržbu přístroje a příslušenství, budete si udržovat teplé ruce a uspořádáte si své pracovní postupy.

OVLÁDACÍ PRVKY

Viz obrázek 1:

- A Rotační nástroj Dremel
- B Ovládání rychlosti
- C Prostor pro uložení montážního klíče
- D Rukojeť (otočením se zablokuje)
- E Prostor pro uložení klíče na upínací matici (klíč není přiložen)
- F Měrka hloubky (palec/mm)
- G Hranové vodičko
- H Kruhové vodičko
- I Tlačítko západky dřívku
- J Rukojeť (nepohyblivá)
- K Stavčí matice, dolní
- L Hloubkový doraz
- M Stavčí matice, horní
- N Uvolňovací tlačítko

SESTAVENÍ

NAMONTOVÁNÍ NÁSTAVCE PRO ZAPICHOVACÍ FRÉZKU K NÁSTROJI

NÁSTAVEC PRO POUŽITÍ S ROTAČNÍMI NÁSTROJI DREMEL, MODELY 300, 395, 398, 400, 4000.

VAROVÁNÍ Před prováděním jakékoliv montáže nebo výměny příslušenství odpojte zástrčku z elektrické zásuvky. Takováto preventivní opatření snižují riziko náhodného spuštění nástroje.

1. Odšroubujte upínací matici, pak z rotačního nástroje sejměte krycí víčko dřívku a odložte ho stranou (Obr. 2). Pokud se tento nástavec nepoužívá, krycí víčko dřívku se musí znovu nasadit. Po sejmutí krycího víčka dřívku namontujte zpět upínací matici.

Viz obrázek 2:

- A Krycí víčko dřívku
2. Umístěte nástroj do nástavce frézy tak, aby tlačítko západky dřívku směřovalo dopředu podle ilustrace (Obr. 3).
3. Našroubujte upevňovací matici ve směru hodinových ručiček na závitovou část rotačního nástroje a bezpečně ji utáhněte dodávaným montážním klíčem.

Viz obrázek 3:

- A Montážní klíč
- B Upevňovací matice
- C Tlačítko západky dřívku

NÁVOD K OBSLUZE

POZOR: Tento nástavec přemění rotační nástroj Dremel v zapichovací frézu pro frézování tvarů od ruky, drážek, ozdobných hran a provádění kruhových výřezů. Tento frézovací nástavec se dodává plně vybavený pro frézování od ruky nebo s vodícím čepem. Pravidelné čištění a mazání vodících sloupků napomůže hladkému průběhu frézování. Stiskněte a zablokujte frézkou a na horní část vodících sloupků rovnoměrně aplikujte jemný mazací prostředek (např. vazelínu nebo jedlý olej).

VAROVÁNÍ Tento frézovací nástavec není určen k použití pod stolem frézy nebo kotoučové pily.

Specifikace příslušenství

Viz obrázek 4A.

VLOŽENÍ FRÉZY

Frézy jsou v nástroji drženy systémem kleštinového upínacího pouzdra. **Frézu lze nasadit před tím, než je rotační nástroj upevněn do nástavce, nebo i do upevněného nástroje.**

1. Podržte stisknuté tlačítko západky dřívku a současně otáčejte upínací matici a dřívkem. Pokračujte v otáčení upínací maticí a dřívkem dokud západka nezapadne a nebude držet dřív (Obr. 4).
2. Použijte klíč od rotačního nástroje Dremel a otáčením upínací maticí proti směru hodinových ručiček ji povolte.
3. Uvolněte tlačítko západky dřívku.
4. Vložte frézu co nejhlouběji do upínacího pouzdra, aby byla fréza řádně uchycena a minimalizovalo se házení vlivem špatného uchycení. Nevkládejte frézu až tak daleko, až by se drážka frézy dotýkala upínacího pouzdra nebo upínací matice, aby nedošlo k vylamování nebo prasknutí frézy.

POZNÁMKA: Nikdy nepokládejte na stůl nebo na pracovní plochu nástroj s frézou vyčnívající skrz podstavec. Pokládejte nástroj na

bok nebo před položením na stůl nebo na pracovní plochu zasuňte frézu. Když fréza vyčnívá, může dojít k odskočení nástroje.

5. Nechte znovu zapadnout západku dřívku a utáhněte upínací matici; nejdříve rukou, pak pomocí klíče, dokud nebude fréza bezpečně uchycena.

Viz obrázek 4B:

- A Klíč na upínací matici
- B Podstavec
- C Upínací matice
- D Tlačítko západky dřívku

ÚPRAVA HLOUBKY FRÉZOVÁNÍ

POZNÁMKA: Při provádění hlubokých výřezů, zejména zářezů stranou od hrany obráběného materiálu, se doporučuje provést několik postupně hlubších zářezů s pomocí nastavení hloubky na měrce, než provedení jediného hlubokého zářezu.

Omezovač hloubky lze nastavit na dvě hloubky.

1. Položte sestavu rotačního nástroje Dremel a nástavce frézy na opracovávanou součást.
2. Vyšroubujte horní stavěcí matici nahoru a dolní stavěcí matici dolů tak, aby se hloubkový doraz volně pohyboval (Obr. 5).

Viz obrázek 5:

- A Hloubkový doraz
- B Horní stavěcí matice
- C Dolní stavěcí matice

3. Povolte blokovací rukojeť (Obr. 6). Pomalu spouštějte nástroj, dokud se fréza právě nedotkne povrchu opracovávané součásti.

Viz obrázek 6:

- A Rukojeť
- B Uvolňovací tlačítko

4. Utáhněte blokovací rukojeť, aby se nástroj uzamkl v dané poloze.
5. Podržte stisknuté uvolňovací tlačítko, aby se hloubkový doraz dotkl podstavce frézy.

Hloubka prvního frézování

6. Otáčejte hloubkovým dorazem nahoru tak, aby se rozměr X rovnal požadované hloubce prvního frézování (Obr. 7).

POZNÁMKA: 1 otáčka odpovídá 0,06" (1,5 mm)

Viz obrázek 7:

- A Hloubkový doraz
- B Horní stavěcí matice

7. Otáčejte horní stavěcí matici dolů, aby se dotkla rámu frézy.

Hloubka druhého frézování

8. Otáčejte hloubkovým dorazem nahoru tak, aby se rozměr X rovnal požadované hloubce druhého frézování. Ujistěte se, že se horní stavěcí matice otáčí společně s hloubkovým dorazem, takže se zdvihá od rámu frézy (Obr. 8).

Viz obrázek 8:

- A Hloubkový doraz
- B Dolní stavěcí matice

9. Otáčejte dolní stavěcí matici nahoru, aby se dotkla rámu frézy.

POZNÁMKA: Horní stavěcí matice se nesmí otáčet, když utahujete dolní stavěcí matici.

10. Stisknutím uvolňovacího tlačítka vyberete první nebo druhou hloubku frézování (Obr. 9).

POZNÁMKA: Nastavení každé hloubky frézování by se mělo zkontrolovat na zkušebním výřezu a podle potřeby opravit.

Viz obrázek 9:

A Uvolňovací tlačítko

Po dokončení frézování uvolněte rukojeť a vraťte frézku do horní polohy.

POSUV FRÉZKY

Je-li obtížné frézku ovládat, zahřívá-li se, otáčí se velmi pomalu nebo produkuje nedokonalé řezy, uvažujte o následujících příčinách:

- Nesprávný směr posuvu – obtížné ovládání.
- Příliš rychlý posuv – přetížení motoru.
- Tupá fréza – přetížení motoru.
- Příliš dlouhý řez na jeden průchod – přetížení motoru.
- Příliš pomalý posuv – spálená místa od tření na obráběném materiálu.

Posouvejte frézku jemně a stálou rychlostí (netlačte). Brzo poznáte, jak frézka zní a jak se projevuje, když pracuje optimálně.

Rychlost posuvu

Při frézování nebo podobných pracích na dřevě nebo plastu se nejlepšího povrchu dosáhne tehdy, když jsou hloubka výřezu a rychlost posuvu regulovány tak, aby se motor držel ve vysokých otáčkách. Posouvejte frézku nepříliš velkou rychlostí. Měkké materiály vyžadují rychlejší posuv než tvrdé materiály.

Jestliže je frézka nesprávně používána nebo přetěžována, může se zastavit. Snižte rychlost posuvu, abyste předešli možnému poškození nástroje. Před použitím se vždy přesvědčte, že je upínací matice pevně dotažená. Vždy používejte frézy s co nejkratší řeznou délkou ještě postačující pro požadovaný výřez. Tím se minimalizuje házení a drncení frézy.

Tvarování hran

Při tvarování hran vždy používejte frézy s vodicím čepem nebo s ložiskem. Spodní část frézy s vodicím čepem je dřív bez řezných hran. Frézy s vodicím ložiskem mají k vedení frézy kuličkové ložisko.

Vodicí čep klouže podél hrany materiálu a rotující břity provádějí ozdobný řez na hranách. Hrana, po které vodicí čep klouže, by měla být dokonale hladká, protože všechny nepravidelnosti se přenášejí na tvarovaný povrch.

Při frézování dřevěné součásti, která vyžaduje tvarování hran napříč vláken, vždy frézujte hranu napříč vláken před frézováním hran, které jdou podél vláken. Tím se minimalizuje možnost poškození prasknutím na konci napříč vláken.

Směr posuvu frézky

Vřetenou frézky se otáčí po směru hodinových ručiček při pohledu shora. Nejlepší ovladatelnosti a kvality výřezu se dosáhne, když se nástroj posouvá po obráběné součásti v takovém směru, ve kterém má fréza snahu vtáhnout se do dřeva. Nesprávný směr posuvu způsobí, že fréza bude vytlačována nahoru ven ze dřeva.

Posouvejte nástroj ve směru, který je zde naznačen. Při obrábění okolo hrany obdélníkového kusu pohybně nástrojem proti směru hodinových ručiček. Při frézování vnitřního povrchu, jak je naznačeno na ilustraci, pohybně nástrojem ve směru hodinových ručiček (Obr. 10).

POZNÁMKA: Směr posuvu je mimořádně důležitý, když používáte frézu s vodicím čepem na frézování hran materiálu od ruky.

Viz obrázek 10:

- A** Směr posuvu frézky
- B** Frézování nejdříve napříč vláken
- C** Otáčení frézy

NAMONTOVÁNÍ HRANOVÉHO VODÍTKA

Pro použití hranového vodítka namontujte vodicí tyče do sestavy držáku nástroje a zajistěte je pomocí (2) čtyřhranných matic a (2) otočných knoflíků vodicích tyčí (Obr. 11).

Čtyřhranné matice se zasunou do šterbin nad vodicími tyčemi. Knoflíky vodicích tyčí se namontují shora skrz otvory a matice a proti tyčím.

Hranové vodítko připevněte k vodicím tyčím pomocí knoflíků hranového vodítka a šestihhranných matic.

Umístěte šestihhranné matice na spodní stranu hranového vodítka a utáhněte knoflíky hranového vodítka na horní straně hranového vodítka. Nasuňte sestavu hranového vodítka na vodicí tyče podle obrázku. Nastavte hranové vodítko v požadované vzdálenosti od frézy a utáhněte knoflíky hranového vodítka. (Viz obr. 11)

Hranové vodítko se používá ke tvarování hran, frézování drážek, žlábků, otvorů pro čepy, per, šterbin a zkosení. Nezapomeňte posouvat frézu tak, aby měla tendenci přitahovat hranové vodítko ke dřevu. Hladkého výřezu dosáhnete při rovnoměrné rychlosti posuvu.

Všeobecně platí, že v případě potřeby hluboké drážky je nutné provést několik mělkých výřezů. Maximální hloubka řezu se bude měnit podle použitého materiálu. Nepřetěžujte nástroj do takové míry, kdy se motor začne zřetelně zpomalovat.

Viz obrázek 11:

- A** Šroub nastavení hloubky
- B** Knoflík vodicí tyče
- C** Čtyřhranné matice
- D** Vodicí tyče
- E** Hranové vodítko
- F** Hřebík
- G** Kruhové vodítko
- H** Šestihhranné matice
- I** Knoflík hranového vodítka

HRANOVÉ VODÍTKO

Instalace

1. Nainstalujte hranové vodítko na montážní bloky frézky (Obr. 12).

Viz obrázek 12:

- A** Montážní blok
- B** Hranové vodítko

2. Umístěte rovnoběžně vodítko proti opracovávanému povrchu s frézou v požadované poloze.
3. Utáhněte křídlaté šrouby.

Frézování s hranovým vodítkem

Posouvejte zpoštlou stranu hranového vodítka podél opracovávaného povrchu.

KRUHOVÉ VODÍTKO

Frézování oblouků a kruhů

1. Odstraňte hranové vodítko a k vodicím tyčím připevněte držák kruhového vodítka (Obr. 13).

Viz obrázek 13:

- A** Hřebík
 - B** Kruhové vodítko
2. Použijte dodávaný hřebík jako střed otáčení. Nastavte kruhové vodítko na požadovaný poloměr.
 3. Vložte hřebík do otvoru ve vodítku a umístěte jej do středu vyřezávaného kruhu.

Použití šablon vzorů umožňuje duplikovat stejné tvary nebo písmena znovu a znovu. Tato technika vyžaduje použití vodícího pouzdra.

VODICÍ POUZDRA

Vodící pouzdro uvedené na obr. 14 je v podstatě destička s nákrůžkem, která je podle ilustrace vložena do otvoru v podstavci a upevněna zašroubováním vložky k horní straně vodícího pouzdra. Vodící pouzdro se pohybuje podél hran šablony, zatímco fréza, vyčnívající dolů, frézuje v materiálu.

Viz obrázek 14:

- A Vložka pouzdra
- B Vodící pouzdro
- C Podstavec

POZOR: Ujistěte se, že tloušťka šablony je stejná nebo větší než délka pouzdra vyčnívající dolů pod podstavcem.

Nepoužívejte frézu, která by se mohla dotýkat vnitřku nákrůžku.

Vyberte takovou frézu, jejíž průměr je nejméně o 2 mm menší.

Je možné snadno připravit speciální šablony pro frézování opakovaných vzorů, speciálních tvarů a dalších aplikací. Šablona může být zhotovena z překližky, dřevovláknité desky, kovu nebo i z plastu a vzor může být vyřezán frézkou, vykrúžovací pilou nebo jiným vhodným vyřezávacím nástrojem.

Pamatujte, že vzor musí být vytvořen tak, aby kompenzoval vzdálenost mezi frézou a vodícím pouzdra (přesazení), jelikož se rozměry konečného obrobku budou lišit od vzoru šablony právě o tuto hodnotu, a to kvůli poloze frézy (Obr. 15).

Viz obrázek 15:

- A Fréza
- B Upínací matice
- C Vodící pouzdro
- D Podstavec
- E Vzor v šabloně
- F Opracovávaná součást
- G Přesazení

FRÉZOVÁNÍ OD RUKY

Mnoha efektů lze dosáhnout použitím frézy k frézování od ruky pomocí frézy o malém průměru. Obvykle řemeslník nakreslí požadované obrysy nebo písmo na materiál a používá čáry tužkou jako vodítko.

SERVIS A ZÁRUKA

Na tento výrobek DREMEL je poskytována záruka v souladu se zákonnými/specifickými předpisy země určení; poškození způsobená normálními opotřebení, přetížením nebo nesprávným zacházením jsou ze záruky vyloučena.

V případě stížností zašlete *nerozebrané* nářadí spolu s nákupním dokladem svému odbornému prodejci.

KONTAKT NA FIRMU DREMEL

Další informace ohledně sortimentu, podpore a zákaznické lince firmy Dremel, viz www.dremel.com

Dremel Europe, P.O. Box 3267, 4800 DG Breda, Nizozemsko



A OSTRZEŻENIE

NALEŻY PRZECZYTAĆ

WSZYSTKIE PRZEPISY. *Błędy w przestrzeganiu następujących przepisów mogą spowodować porażenie prądem, pożar i/lub ciężkie obrażenia ciała. Pojęcie elektronarzędzie używane we wszystkich ostrzeżeniach podanych poniżej odnosi się do elektronarzędzi napędzanych prądem (z kablem zasilającym).*

NALEŻY DOBRZE PRZECHOWYWAĆ TE PRZEPISY

MIEJSCE PRACY


- a. Miejsce pracy należy utrzymywać w czystości i dobrze oświetlone. *Nieuporządkowane i nieoświetlone miejsca pracy mogą doprowadzić do wypadków.*
- b. Nie należy używać elektronarzędzi w otoczeniach zagrożonych wybuchem, w których znajdują się na przykład łatwopalne ciecze, gazy lub pyły. *Elektronarzędzia wywołują iskry, które mogą podpalić ten pył lub parę.*
- c. Elektronarzędzie trzymać podczas pracy z daleka od dzieci i innych osób. *Przy odwróceniu uwagi można stracić kontrolę nad narzędziem.*

BEZPIECZEŃSTWO ELEKTRYCZNE

- a. Wtyczki elektronarzędzi muszą pasować do gniazda. Nie wolno zmieniać wtyczki w jakikolwiek sposób. Nie należy używać wtyczek adapterowych razem z uziemionymi elektronarzędziami. *Niezmienione wtyczki i pasujące gniazda zmniejszają ryzyko porażenia prądem.*
- b. Należy unikać kontaktu z uziemionymi powierzchniami, takimi jak rury, grzejniki, piece i lodówki. *Istnieje zwiększone ryzyko porażenia prądem, gdy Państwa ciało jest uziemione.*
- c. Elektronarzędzia należy trzymać zabezpieczone przed deszczem i wilgocią. *Wniknięcie wody do elektronarzędzia podwyższa ryzyko porażenia prądem.*
- d. Nie obciążać przewodu. Nigdy nie używać kabla do przenoszenia, zawieszania narzędzia, ani do wyciągania wtyczki z gniazda. Kabel należy trzymać z daleka od wysokich temperatur, oleju, ostrych krawędzi lub ruchomych części. *Uszkodzone lub poplątane kable zwiększają ryzyko porażenia prądem.*
- e. W przypadku, gdy elektronarzędzie używane jest na świeżym powietrzu, należy używać kabla przedłużającego dopuszczalnego do stosowania na zewnątrz. *Użycie kabla dopuszczalnego do stosowania na zewnątrz zmniejsza ryzyko porażenia prądem.*
- f. Jeżeli nie da się uniknąć zastosowania elektronarzędzia w wilgotnym otoczeniu, należy użyć wyłącznika ochronnego różnicowo-prądowego. *Zastosowanie wyłącznika ochronnego różnicowo-prądowego zmniejsza ryzyko porażenia prądem.*

BEZPIECZEŃSTWO OSÓB

- a. Należy zachować ostrożność, uważać na to co się robi i kierować się rozsądkiem podczas używania elektronarzędzia. Nie należy używać urządzenia w przypadku zmęczenia, pod wpływem narkotyków, alkoholu lub lekarstw. *Moment nieuwagi podczas użytkowania elektronarzędzi może doprowadzić do poważnych obrażeń ciała.*

- b.  Stosowanie wyposażenia ochronnego. Należy zawsze nosić okulary ochronne. *Wyposażenie ochronne, takie jak maska przeciwpyłowa, nie ślizgające się buty robocze, hełm ochronny lub wyposażenie chroniące słuch, stosowane w odpowiednich warunkach zmniejsza ryzyko obrażeń ciała.*

- c. Unikać przypadkowego uruchomienia. Przed włożeniem wtyczki należy upewnić się, czy przełącznik jest wyłączony. *Przenoszenie elektronarzędzi z palcem położonym na przełączniku lub podłączanie do prądu włączonych elektronarzędzi może doprowadzić do wypadków.*
- d. Przed włączeniem elektronarzędzia należy usunąć narzędzie nastawcze i klucz. *Narzędzie lub klucz pozostawiony w ruchomej części elektronarzędzia może spowodować obrażenia ciała.*
- e. Nie sięgać zbyt daleko. *Przez cały czas należy utrzymywać odpowiednie podparcie i równowagę. To umożliwi lepszą kontrolę nad elektronarzędziem w nieoczekiwanych sytuacjach.*
- f. Należy odpowiednio się ubierać. *Nie należy nosić luźnego ubrania ani biżuterii. Włosy, ubranie i rękawice należy trzymać z daleka od ruchomych części. Luźne ubranie, biżuteria lub długie włosy mogą zostać pochwycone przez ruchome części.*
- g. Jeżeli urządzenie dostosowano do podłączenia odciągu i odbioru pyłów, to należy dopilnować aby zostały one podłączone i były odpowiednio używane. *Użycie tych urządzeń może zmniejszyć zagrożenia związane z pyłami.*
- h. **Nie należy obrabiać materiału zawierającego azbest** (azbest jest rakotwórczy).
- i. **W przypadku, gdy podczas pracy elektronarzędzia powstają szkodliwe dla zdrowia, łatwopalne lub wybuchowe pyły, należy zastosować odpowiednie środki ochronne** (na przykład niektóre pyły są rakotwórcze); zaleca się używanie maski przeciwpyłowej, a po zakończeniu pracy odsysanie pyłu i wiórów.

UŻYTKOWANIE I UTRZYMANIE ELEKTRONARZĘDZIA

- a. Elektronarzędzia nie należy przeciążać. Należy używać elektronarzędzia odpowiedniego do danej pracy. *Odpowiednim narzędziem pracuje się lepiej i bezpieczniej w podanym zakresie sprawności.*
- b. Nie należy używać elektronarzędzia, którego włącznik/wyłącznik nie działa. *Elektronarzędzie, którego nie można włączyć lub wyłączyć jest niebezpieczne i musi zostać naprawione.*
- c. Przed regulacją, wymianą wyposażenia dodatkowego i odclozeniem elektronarzędzi na miejsce przechowywania należy odłączyć wtyczkę od źródła zasilania. *Takie środki zapobiegawcze zmniejszają ryzyko przypadkowego włączenia elektronarzędzia.*
- d. Należy przechowywać nie używane elektronarzędzia poza zasięgiem dzieci i nie należy pozwalać, aby elektronarzędzie uruchamiały osoby nie znające tego elektronarzędzia i instrukcji. *Elektronarzędzia używane przez osoby nieprzeszkolone są niebezpieczne.*
- e. O elektronarzędzia należy dbać. Należy kontrolować, czy nie nastąpiło przestawienie lub zacięcie ruchomych części, uszkodzenie części lub inny stan, który może wpływać na działanie elektronarzędzi. W przypadku uszkodzenia elektronarzędzie przed użyciem należy oddać do naprawy. *Wiele wypadków spowodowanych jest przez niewłaściwą konserwację elektronarzędzi.*
- f. Narzędzia tnące powinny być zawsze ostre i czyste. *Prawidłowo pielęgnowane narzędzia tnące z ostrymi krawędziami tnącymi rzadziej się zablokowują i łatwiej się je prowadzi.*
- g. Elektronarzędzie, wyposażenie dodatkowe, końcówki narzędzia itp. należy wykorzystywać zgodnie z podanymi instrukcjami oraz w sposób określony dla konkretnego rodzaju elektronarzędzia, uwzględniając warunki pracy oraz pracę jaką należy wykonać. *Użycie elektronarzędzia do innych prac niż przewidziane może doprowadzić do niebezpiecznych sytuacji.*

SERWIS

- a. Naprawę elektronarzędzia należy zlecać tylko wykwalifikowanemu fachowcowi i należy używać tylko identycznych części zamiennych. *To gwarantuje, że bezpieczeństwo elektronarzędzia zostanie zachowane.*

OGÓLNE

- Narzędzie nie powinny używać dzieci poniżej 16 roku życia.
- Przed przystąpieniem do wykonywania jakichkolwiek czynności przy narzędziu, w czasie przerw w pracy jak również po jej zakończeniu wyjąć wtyczkę z gniazda sieciowego.

AKCESORIA

- Używać tylko akcesoriów, których dopuszczalna prędkość obrotowa jest co najmniej tak wysoka jak najwyższa prędkość obrotowa urządzenia na biegu bez obciążenia.
- Nie należy stosować frezów, które są uszkodzone lub zniekształcone.
- Używać tylko ostrych frezów.
- Akcesoria należy chronić przed uderzeniami, wstrząsami i smarem.

PRZED UŻYCIEM

- Uwaga na gwoździe, śruby i inne twarde przedmioty; przed przystąpieniem do obróbki powinny być usunięte z obrabianego przedmiotu; usunąć je przed rozpoczęciem pracy.
- Każdorazowo sprawdzać, czy napięcie zasilania jest zgodne z napięciem podanym na tabliczce znamionowej urządzenia (narzędzia na napięcie znamionowe 230V lub 240V zasilają można także napięciem 220V).
- Obrabiany element należy unieruchomić, jeśli nie jest dostatecznie ciężki, aby jego ciężar własny nie powodował przesuwania podczas pracy.
- Pył pochodzący z takich materiałów, jak farby zawierające ołów, niektóre gatunki drewna, minerały i metal może być szkodliwy (kontakt z nim lub wdychanie takiego pyłu może powodować reakcje alergiczne i/lub niewydolność oddechową u operatora lub osób towarzyszących); należy zakładać maskę przeciwpyłową i pracować z urządzeniem odsysającym, jeżeli można je podłączyć.
- Należy stosować się do lokalnych wymogów dotyczących pracy w otoczeniu pyłu powstającego podczas obróbki materiału.
- Przed podłączeniem do prądu należy się upewnić, że narzędzie jest wyłączone.

PODCAZ UŻYWANIA

- Kabel zasilający powinien stale znajdować się w bezpiecznej odległości od wirującej części elektronarzędzia; kabel zasilający zawsze prowadzić z tyłu elektronarzędzia.
- Nie wolno nigdy używać narzędzia z uszkodzonym przewodem zasilającym lub podstawą (= osłona ochronna); ich naprawę należy powierzyć odpowiednio kwalifikowanej osobie.
- Nie zbliżać palców ani dłoni do frezu kiedy narzędzie jest włączone.
- W przypadku wadliwego działania mechanicznych lub elektrycznych elementów urządzenia, należy bezzwocznie odłączyć narzędzie i wyjąć wtyczkę.
- W przypadku zablokowania frezów, czego efektem jest szarpnięcie podczas pracy, należy natychmiast wyłączyć narzędzie.
- W przypadku przerwy w zasilaniu na przykład w skutek nieumyślnego wyciągnięcia wtyczki, należy natychmiast wyłączyć narzędzie, dla zapobieżenia jego samoczynnemu włączeniu się.
- Nie należy naciskać na przyrząd z siłą powodującą unieruchomienie narzędzia.

ŚRODOWISKO

USUWANIE ODPADÓW

Elektronarzędzia, osprzęt i opakowanie należy doprowadzić do ponownego użytkowania zgodnego z zasadami ochrony środowiska.

TYLKO DLA PAŃSTW NALEŻĄCYCH DO UE



Nie należy wyrzucać elektronarzędzi do odpadów domowych!

Zgodnie z europejską wytyczną 2002/96/EG o starych, zużytych narzędziach elektrycznych i elektronicznych i jej stosowania w prawie krajowym, wyeliminowane, niezdatne do użycia elektronarzędzia należy zbierać osobno i doprowadzić do ponownego użytkowania zgodnego z zasadami ochrony środowiska.

WSKAZÓWKI UŻYTKOWANIA

- Używać właściwych frezów.
- Przy wykonywaniu frezowania równoległego wzdłuż krawędzi stosować prowadnicę równoległą.
- Przy wykonywaniu frezowania równoległego z dala od krawędzi:
 - przy pomocy dwóch zacisków zamocować na powierzchni obrabianego przedmiotu dodatkową listwę.
 - frezarkę prowadzić płaską stroną płyty podstawy wzdłuż krawędzi zamocowanej listwy, która służy teraz jako prowadnica równoległa.
- Należy chronić się przed skutkami wibracji przez konserwację narzędzia i jego akcesoriów, zakładanie rękawic i właściwą organizację pracy.

OBSŁUGA NARZĘDZIA

Patrz rysunek 1:

- A Narzędzie obrotowe Dremel
- B Regulator prędkości
- C Klucz montażowy i miejsce do jego przechowywania
- D Uchwyt (należy przekręcić, aby zablokować)
- E Miejsce na klucz do nakrętki tulei zaciskowej (Klucz nie jest częścią zestawu)
- F Wskaźnik głębokości (angielski/metryczny)
- G Prowadnica krawędziowa
- H Prowadnica kołowa
- I Przycisk blokady wału
- J Uchwyt (nieruchomy)
- K Nakrętka regulująca, dolna
- L Ogranicznik głębokości
- M Nakrętka regulująca, górna
- N Przycisk zwalnający

MONTAŻ

MONTOWANIE NARZĘDZIA W PRZYSTAWCE DO FREZOWANIA WGLĘBNEGO

PRZYSTAWKĘ MOŻNA UŻYWAĆ Z MODELAMI 300, 395, 398, 400, 4000 NARZĘDZI OBROTOWYCH DREMEL.

OSTRZEŻENIE Przed jakąkolwiek regulacją lub wymianą wyposażenia dodatkowego, należy odłączyć wtyczkę od źródła zasilania. Działania zapobiegawcze tego typu zmniejszają ryzyko przypadkowego włączenia narzędzia.

1. Odkręć nakrętkę tulei zaciskowej, następnie zdejmij nasadkę obudowy z narzędzia obrotowego i odłóż ją na bok (Rys. 2). Nasadkę obudowy należy nałożyć z powrotem na narzędzie,

jeżeli przystawka nie jest używana. Po zdjęciu nasadki obudowy przykręć z powrotem nakrętkę tulei zaciskowej.

Patrz rysunek 2:

- A Nasadka obudowy
2. Umieść narzędzie w przystawce do frezowania, przyciskiem blokady wału do przodu, jak pokazano na rysunku (Rys. 3).
 3. Nakręć nakrętkę montażową zgodnie z ruchem wskazówek zegara na część gwintowaną narzędzia obrotowego i dobrze dokręć za pomocą dostarczonego klucza montażowego.

Patrz rysunek 3:

- A Klucz montażowy
- B Nakrętka montażowa
- C Przycisk blokady wału

INSTRUKCJE OBSŁUGI

UWAGA: Ta przystawka przekształca narzędzie obrotowe Dremel w urządzenie do frezowania odrębnego, obróbki krawędzi, rowkowania i wykonywania nacięć kołowych. Przystawka do frezowania dostarczana jest zmontowana i przygotowana do odrębnego lub prowadzonego frezowania. Okresowe czyszczenie i smarowanie słupów prowadzących pozwoli zachować płynność ruchów przystawki wgłębiającej. Frezarkę wgłębną należy obniżyć i zablokować, a następnie równomiernie rozprowadzić lekki smar (np. wazelinę, olej jadalny) po górnej części słupów prowadzących.

OSTRZEŻENIE Przystawka do frezowania nie jest przeznaczona do stosowania z frezarką lub stołem do cięcia.

Wyszczególnienie akcesoriów

Patrz rysunek 4A.

WKŁADANIE FREZU

Frez są przytrzymywane w narzędziu przez system tulei zaciskowej. **Frez można zainstalować przed lub po zamontowaniu narzędzia obrotowego w przystawce.**

1. Naciśnij i przytrzymaj przycisk blokady wału, a następnie obracaj nakrętkę tulei zaciskowej i wału. Kontynuuj obracanie nakrętki tulei zaciskowej i wału dopóki blokada nie zaskoczy, a wał nie zostanie zablokowany (Rys. 4).
2. Użyj klucza od narzędzia obrotowego Dremel, aby poluzować nakrętkę tulei zaciskowej przeciwnie do kierunku ruchu wskazówek zegara.
3. Zwolnij przycisk blokady wału.
4. Włóż frez do tulei zaciskowej najgłębiej jak to możliwe, aby zapewnić jego odpowiednie uchwycenie i zminimalizować możliwość jego wypadnięcia. W celu uniknięcia pęknięć lub uszkodzeń frezu, nie należy go wkładać tak daleko, aby jego rowkowanie dotykało tulei zaciskowej lub nakrętki tulei.
UWAGA: Nigdy nie należy umieszczać narzędzia z frezem wystającym poza podstawę na stole warsztatowym lub powierzchni obrabianej. Narzędzie należy odłożyć na bok lub wyciągnąć frez przed ustawieniem przystawki na stole warsztatowym lub powierzchni obrabianej. Wystający frez tnący może spowodować podskakiwanie narzędzia.
5. Ponownie włącz przycisk blokady wału i dokręć nakrętkę tulei zaciskowej; na początku ręcznie, a następnie za pomocą klucza, dopóki frez nie zostanie dobrze uchwycony.

Patrz rysunek 4B:

- A Klucz do nakrętki tulei zaciskowej
- B Podstawa
- C Nakrętka tulei zaciskowej
- D Przycisk blokady wału

REGULACJA GŁĘBOKOŚCI FREZOWANIA

UWAGA: Podczas wykonywania głębokich nacięć, zwłaszcza nacięć wglębnych z dala od krawędzi przedmiotu obrabianego, zaleca się wykonanie kilku następujących po sobie cięć, stopniowo coraz głębszych, korzystając przy tym z regulacji głębokości i wskaźnika głębokości zamiast wykonania jednego, głębokiego cięcia.

Ogranicznik głębokości można nastawić na dwie różne głębokości.

1. Umieść narzędzie obrotowe Dremel i przystawkę do frezowania na obrabianym przedmiocie.
2. Przekręć górną nakrętkę regulującą ku górze, a dolną nakrętkę regulującą w dół, aby zwolnić ogranicznik głębokości (Rys. 5).

Patrz rysunek 5:

- A Ogranicznik głębokości
- B Górną nakrętkę regulującą
- C Dolną nakrętkę regulującą

3. Poluzuj uchwyt blokujący (Rys. 6). Powoli opuszczaj narzędzie dopóki frez nie dotknie obrabianego przedmiotu.

Patrz rysunek 6:

- A Uchwyt
- B Przycisk zwalniający

4. Dokręć uchwyt blokujący, aby zablokować narzędzie w miejscu.
5. Naciśnij i przytrzymaj przycisk zwalniający tak, aby ogranicznik głębokości dotknął podstawy przystawki.

Pierwsza głębokość frezowania

6. Przekręć ogranicznik głębokości ku górze tak, aby wymiar X równał się pierwszej, żądanej głębokości frezowania (Rys. 7).
UWAGA: 1 obrót równa się .06" (1.5 mm)

Patrz rysunek 7:

- A Ogranicznik głębokości
- B Górną nakrętkę regulującą

7. Przekręć górną nakrętkę regulującą w dół w kierunku podstawy przystawki.

Druga głębokość frezowania

8. Przekręć ogranicznik głębokości ku górze tak, aby wymiar X równał się drugiej, żądanej głębokości frezowania. Upewnij się, że górna nakrętka regulująca kręci się razem z ogranicznikiem głębokości tak, aby oddalała się od ramy przystawki (Rys. 8).

Patrz rysunek 8:

- A Ogranicznik głębokości
- B Dolną nakrętkę regulującą

9. Przekręć dolną nakrętkę regulującą ku górze w kierunku przeciwnym do ramy przystawki.

UWAGA: Górną nakrętkę regulującą musi pozostać nieruchomą podczas dokręcania dolnej nakrętki regulującej.

10. Naciśnij przycisk zwalniający, aby wybrać pierwszą lub drugą głębokość frezowania (Rys. 9).

UWAGA: Dopasowanie każdej głębokości frezowania należy sprawdzić wykonując próbne cięcie i w razie konieczności ponownie wyregulować.

Patrz rysunek 9:

- A Przycisk zwalniający

Po ukończeniu frezowania należy poluzować uchwyt i podnieść frezarkę do pozycji wyjściowej.

POSUW FREZARKI

W przypadku, gdy trudno będzie kontrolować frezarkę, zacznie się ona podgrzewać, pracować powoli lub będzie pozostawiać niedoskonałe cięcia, przyczyną może być:

- Zły kierunek posuwu – utrudnione sterowanie.
- Zbyt szybki posuw – przeciążenie silnika.
- Stępiony frez – przeciążenie silnika.
- Zbyt duże cięcie po jednym przejściu – przeciążenie silnika.
- Zbyt wolny posuw – pozostawia ślady tarcia na obrabianym przedmiocie.

Frezarkę należy przesuwać płynnie i równo (nie na siłę). Z biegiem czasu użytkownik nauczy się rozpoznawać dźwięki i zachowanie frezarki podczas poprawnej pracy.

Szybkość posuwu

Podczas frezowania lub podobnej obróbki drewna i plastiku, najlepszy rezultat otrzymamy, jeżeli głębokość cięcia i szybkość posuwu będzie regulowana tak, aby silnik działał na wysokich obrotach.

Frezarkę należy posuwać z umiarkowaną szybkością. Miękkie materiały wymagają szybszej prędkości posuwu niż materiały twarde. Silnik frezarki może gasnąć, jeżeli będzie niewłaściwie używany lub przeciążony. Aby uniknąć możliwych uszkodzeń narzędzia, należy zmniejszyć szybkość posuwu. Należy zawsze upewnić się, że nakrętka tulei zaciskowej została dobrze dokręcona przed rozpoczęciem pracy. Należy zawsze używać frezu z najkrótszą długością cięcia potrzebną do wykonania żądanego cięcia. Zminimalizuje to możliwość bicia i drgania frezów.

Kształtowanie krawędzi

Podczas kształtowania krawędzi należy zawsze używać frezów prowadzących lub z łożyskiem. Dolna część frezu prowadzącego to walek bez krawędzi tnących. Frezy z łożyskiem posiadają łożysko kulowe do prowadzenia frezu.

Część prowadząca sunie wzdłuż krawędzi obszaru roboczego wykonując ozdoby krawędzie w tym samym czasie, co obracające się ostrza wykonują cięcie. Krawędź po której sunie część prowadząca powinna być idealnie gładka, ponieważ każda nierówność jest przenoszona na kształtowaną powierzchnię.

Podczas frezowania obrabianego przedmiotu, który wymaga kształtowania krawędzi, należy zawsze najpierw frezować krawędź ze słojami w poprzek krawędzi, a potem krawędzie ze słojami wzdłuż krawędzi. W ten sposób zostanie zminimalizowana możliwość uszkodzenia spowodowana oderwaniem się kawałka materiału na końcu krawędzi ze słojami w poprzek.

Kierunek posuwu frezarki

Trzpień obrotowy frezarki obraca się w kierunku zgodnym z ruchem wskazówek zegara patrząc z góry. Aby uzyskać jak najlepszą kontrolę i jakość cięcia, należy przesuwać narzędzie po obrabianym materiale tak, aby frez miał tendencję do samoczynnego zagłębiania się w drewnie. Nieprawidłowy kierunek posuwu może spowodować, że frez będzie usiłował wspiąć się po drewnie.

Prawidłowy kierunek posuwu narzędzia pokazano na rysunku. Jeżeli cięcie wykonywane jest naokoło krawędzi kwadratowego materiału, należy przesuwać narzędzie przeciwnie do kierunku ruchu wskazówek zegara. Jeżeli frezowanie odbywa się w środku powierzchni jak pokazano na rysunku, należy przesuwać narzędzie zgodnie z ruchem wskazówek zegara (Rys. 10).

UWAGA: Kierunek posuwu jest wyjątkowo ważny podczas używania frezu prowadzącego i wykonywania frezowania odręcznego na krawędzi materiału obrabianego.

Patrz rysunek 10:

- A Kierunek posuwu frezarki
- B Najpierw krawędzie ze słojami w poprzek
- C Obrót frezu

MONTOWANIE PROWADNICZY KRAWĘDZIOWEJ

W celu zamontowania prowadnicy krawędziowej należy zamocować drążki prowadzące w uchwytach narzędzia i zabezpieczyć je nakrętkami kwadratowymi (2) #10-24 oraz wkrętami do drążków prowadzących (2) (Rys. 11).

Nakrętki kwadratowe należy wsunąć do szczelin znajdujących się powyżej drążków prowadzących. Wkręty do drążków prowadzących należy włożyć do otworów znajdujących się u góry i wkręcić je do nakrętek i drążków. Następnie należy zamocować prowadnicę krawędziową do drążków prowadzących przy pomocy wkrętów do prowadnicy krawędziowej i nakrętek sześciokątnych.

Nakrętki sześciokątne należy umieścić pod prowadnicą i wkręcić je na wkręty do prowadnicy, które zostaną wcześniej włożone do otworów znajdujących się na górnej powierzchni prowadnicy. Zmontowaną prowadnicę krawędziową należy wsunąć na drążki prowadzące, jak pokazano na rysunku. Następnie należy ustawić prowadnicę w żądanej odległości od frezu i dokręcić wkręty w prowadnicy. (Patrz rys. 11)

Prowadnicy krawędziowej używa się do kształtowania krawędzi, wycinania profili łączących, wpustów prostokątnych, wpustów ustalających, rowków, szczelin, ścięć i dłutowania. Należy pamiętać, że kierunek posuwu należy wybrać tak, aby frez miał tendencję do odciągania prowadnicy krawędziowej od drewna. Stała szybkość posuwu zapewnia gładkie cięcia.

Na ogół należy wykonać kilka płytkich cięć przed wykonaniem żądanego głębokiego wyłobienia. Maksymalna głębokość cięcia będzie się różniła w zależności od używanego materiału. Nie należy zwiększać posuwu w taki sposób, aby silnik zauważalnie zwolnił.

Patrz rysunek 11:

- A Śruba dopasowująca głębokość
- B Wkręty do drążków prowadzących
- C Nakrętki kwadratowe
- D Drążki prowadzące
- E Prowadnica krawędziowa
- F Gwóźdź wykańczający
- G Prowadnica kołowa
- H Nakrętki sześciokątne
- I Wkręty do prowadnicy krawędziowej

PROWADNICA KRAWĘDZIOWA

Instalacja

1. Zainstaluj prowadnicę krawędziową w uchwytach montażowych frezarki (Rys. 12).

Patrz rysunek 12:

- A Uchwyt montażowy
- B Prowadnica krawędziowa

2. Umieść prowadnicę równolegle do powierzchni obrabianej tak, aby frez znajdował się w żądanej pozycji.
3. Dokręć wkręty skrzydełkowe.

Frezowanie z użyciem prowadnicy krawędziowej

Splaszczoną stronę prowadnicy krawędziowej należy przesuwać wzdłuż powierzchni obrabianej.

PROWADNICA KOŁOWA

Frezowanie luków i kół

1. Zdejmij prowadnicę krawędziową i zamocuj prowadnicę kołową na drążkach prowadzących (Rys. 13).

Patrz rysunek 13:

- A Gwóźdź wykańczający
- B Prowadnica kołowa

2. Użyj dołączonego gwoździa wykańczającego do wskazania środka figury. Ustaw prowadnicę kołową na żądany promień.
3. Włóż gwóźdź do otworu w prowadnicy i umieść go w środku promienia figury, która ma być wycięta.

SZABLONY

Używanie szablonów pozwala idealnie skopiować wzór lub litery w dowolnym czasie. Ta technika wymaga użycia tulei prowadzącej.

TULEJA PROWADZĄCA

Tuleja prowadzącą pokazaną na Rys. 14 to w zasadzie płytka z kołnierzem, którą należy włożyć do otworu w podstawie (jak pokazano na rysunku) i zabezpieczyć ją poprzez wkręcenie od góry nakrętki tulei. Tuleja prowadząca porusza się wzdłuż krawędzi szablonu podczas, gdy frez wystający poniżej wykonuje cięcia w materiale.

Patrz rysunek 14:

- A Nakrętka tulei
- B Tuleja prowadząca
- C Podstawa

UWAGA: Należy upewnić się, że grubość szablonu jest taka sama lub większa niż długość tulei wystającej poza podstawę.

Nie należy używać frezów, które mogą dotykać wnętrza kołnierza.

Należy wybrać frez o średnicy mniejszej o co najmniej 2 mm.

Specjalne szablony można łatwo przygotować do cięcia powtarzających się wzorów, specjalnych wzorów, inkrustacji i do innego zastosowania. Szablon można wykonać ze sklejk, płyty pilśniowej, metalu czy nawet plastiku, a wzór można wyciąć za pomocą frezarki, piły wyrzynarki lub innego odpowiedniego narzędzia tnącego.

Należy pamiętać, że podczas wykonywania wzoru trzeba wziąć pod uwagę odległość pomiędzy frezem i tuleją prowadzącą ("przesunięcie"), ponieważ rozmiar ostatecznie obrabianego materiału będzie różnił się od szablonu o tą wartość, ze względu na pozycję frezu (Rys. 15).

Patrz rysunek 15:

- A Frez
- B Nakrętka tulei zaciskowej
- C Tuleja prowadząca
- D Podstawa
- E Szablon wzoru
- F Materiał obrabiany
- G Przesunięcie

FREZOWANIE ODRĘCZNE

Frezując odręcznie za pomocą frezu o małej średnicy można osiągnąć wiele pożądaných efektów. Zazwyczaj rzemieślnik narysuje żądany kontur lub pismo na materiale, a następnie używa tych konturów jako linii prowadzących.

SERWIS I GWARANCJA

Na ten produkt DREMEL przyznawana jest gwarancja zgodnie z przepisami ustawowymi/krajowymi; gwarancja nie obejmuje uszkodzenia w wyniku normalnego zużycia, przeciążenia i nieprawidłowego użytkowania.

W przypadku reklamacji należy przesłać narzędzie nierozmontowane razem z dowodem zakupu do swojego dealera.

KONTAKT Z FIRMĄ DREMEL

Więcej informacji na temat asortymentu produktów Dremel, obsługi i gorącej linii znajduje się na stronie www.dremel.com

Dremel Europe, P.O. Box 3267, 4800 DG Breda, Holandia



ВНИМАНИЕ ПРОЧЕТЕТЕ ВСИЧКИ УКАЗАНИЯ. Неспазването на

описаните по-долу указания може да доведе до токов удар, пожар и/или други тежки травми. Терминът "електроинструмент" се отнася до захранвани от електрическата мрежа (с кабел) електроинструменти.

ПАЗЕТЕ ТЕЗИ ИНСТРУКЦИИ

РАБОТНО МЯСТО

- Поддържайте работното си място чисто и подредено. *Безпорядъкът и недостатъчното осветление могат да предизвикат трудови злополуки.*
- Не работете с електроинструменти във взривоопасна среда, при наличие на леснозапалими течности, газове или прахообразни материали. *Електроинструментите могат да отделят искри, които могат да възпламенят прахообразни материали или пари.*
- Дръжте деца и странични лица далеч от електроинструмента по време на работа. *Отклоняване на вниманието може да доведе до зазуба на контрол върху електроинструмента.*

БЕЗОПАСНОСТ ПРИ РАБОТА С ЕЛЕКТРИЧЕСКИ ТОК

- Щепселът на електроинструмента трябва да съответства на използвания електрически контакт. В никакъв случай не променяйте конструкцията на щепсела. Когато работите със заземени (занулени) електроинструменти не използвайте адаптери за щепсела. *Ползването на оригинални щепсели и контакти намалява риска от токов удар.*
- Избягвайте допира на тялото Ви до заземени или занулени повърхности, напр. тръби, радиатори, печки и хладилници. *Когато тялото Ви е заземено или занулено, рискът от възникване на токов удар е по-голям.*
- Предпазвайте електроинструмента от дъжд или влага. *Проникването на вода в електроинструмента повишава опасността от токов удар.*
- Използвайте кабела само по предназначение. Не ползвайте кабела за носене на електроинструмента, за топлине или за изваждане на щепсела от контакта. Пазете кабела от нагриване, омасляване, остри ръбове или движещи се части. *Повердени или усукани кабели увеличават риска от токов удар.*
- Когато работите с електроинструмента на открито, използвайте само удължителни кабели, предназначени за работа на открито. *Използването на удължител, предназначен за работа на открито, намалява риска от токов удар.*
- Ако се налага използването на електроинструмента във влажна среда, използвайте предпазен прекъсвач за утечни токове. *Използването на предпазен прекъсвач за утечни токове намалява опасността от възникване на токов удар.*

ЛИЧНИ ПРЕДПАЗНИ СРЕДСТВА

- Бъдете внимателни, следете внимателно действията си и работете предпазливо с електроинструмента. Не използвайте електроинструмента, когато сте уморени или под влиянието на наркотични вещества, алкохол или упойващи лекарства. *Един миг разсеаност при работа с електроинструмента може да доведе до сериозни наранявания.*



- Използвайте предпазна екипировка. Носете винаги предпазни очила. *Носенето на подходящи предпазни средства като дихателна маска, здрави плътно затворени със стабилен грайфер обувки, каска, или антифони намалява риска от наранявания.*
- Избягвайте включването на електроинструмента по невнимание. Преди да включите щепсела в захранващата мрежа се уверете, че пусковият прекъсвач е в положение "изключено". *Ако при носене на електроинструмента държите пръста си върху пусковия прекъсвач или ако подавате захранващо напрежение на електроинструмента, когато е включен, възниква опасност от злополука.*
- Преди да включите електроинструмента отстранете всички помощни инструменти и гаечни ключове от него. *Гаечен ключ или помощен инструмент, забравен закачен на въртяща се част на електроинструмента може да причини наранявания.*
- Не се протягайте с усилие. Работете в стабилно положение на тялото си и поддържайте равновесие през цялото време. *Така ще можете по-добре да контролирате електроинструмента, ако възникне неочаквана ситуация.*
- Носете подходящо облекло. *Не работете с широки дрехи или бижута. Дръжте косата си, дрехите и ръкавиците си на безопасно разстояние от въртящи се части. Широки дрехи, бижута или дългите коси могат да се закачат от въртящите се части.*
- Ако се предвижда използването на аспирационна уредба, се уверете, че тя е включена и работи нормално. *Използването на такава уредба намалява опасността за здравето свързана със запрашаване.*
- Не обработвайте азбестосъдържащ материал (азбестът е канцерогенен).**
- Ако вследствие на извършваната дейност може да се отдели вреден за здравето, леснозапалим или взривоопасен прах, предварително взимайте подходящи предпазни мерки** (някои прахове са канцерогенни); работете с дихателна маска и, ако е възможно, включете аспирационна уредба.

ИЗПОЛЗВАНЕ И ПОДДЪРЖАНЕ НА ЕЛЕКТРОИНСТРУМЕНТИТЕ

- Не третоварвайте електроинструмента. Използвайте електроинструмента само по неговото предназначение. *Ще работите по-добре и по-безопасно, когато използвате подходящия електроинструмент в зададена от производителя диапазон на натоварване.*
- Не използвайте електроинструмент, който пусков прекъсвач е повреден. *Електроинструменти, които не може да се включва и изключва с прекъсвача е опасен и трябва да бъде ремонтиран.*
- Извадете щепсела от контакта преди да правите всякакви настройки, смени на приспособления, или прибирате електроинструмента. *Такива предпазни мерки намаляват риска от включване на електроинструмента по невнимание.*
- Когато не използвате електроинструмента го съхранявайте извън обсега на деца и не позволявайте на лица непознати с електроинструмента или с тези инструкции да работят с него. *Електроинструментите са опасни в ръцете на необучени потребители.*
- Поддръжка на електроинструментите. Проверете за разместването или затянгането на подвижните части, отчупени части и всички други обстоятелства, които могат да влияят на работата на електроинструмента. Ако е повреден, поправете електроинструмента преди да го използвате. *Много злополуки са причинени от лошо поддържани електроинструменти.*
- Пазете режещите инструмент остри и чисти. *Правилно поддържаните режещи инструменти с остри режещи ръбове се заклинват по-рядко и са по-лесни за управление.*

- ж. Използвайте електроинструмента, консумативите и найкрайниците към него според тези инструкции и предназначението на отделния тип електроинструмент, вземайки под внимание условията на работа и вида работа, които трябва да се извърши. *Използването на електроинструмента за работи, различни от тези, за които е предназначен, могат да доведат до опасности.*

ПОДДРЪЖКА

- а. Ремонтирайте Вашия електроинструмент само от квалифициран персонал използващ само оригинални резервни части. *Това ще Ви гарантира, че се запазва безопасността на електроинструмента.*

УКАЗАНИЯ ЗА БЕЗОПАСНА РАБОТА С ОБЕРФРЕЗИ

ОБЩИ

- Машината не трябва да се използва от лица под 16 години.
- Преди извършването на каквато и да било настройка или смяна на принадлежност винаги изваждайте щепсела от контакта на електрозахранването.

ДОПЪЛНИТЕЛНИ АКСЕСОАРИ

- Използвайте само принадлежности, чиято допустима скорост на въртене е поголяма или равна на максималната скорост на въртене на празен ход на електроинструмента.
- Не използвайте повредени или деформирани фрезоващи ножове.
- Използвайте само остри фрезоващи ножове.
- Пазете аксесоарите от удари и сътресения.

ПРЕДИ УПОТРЕБА

- Избягвайте повреди, които могат да бъдат причинени от винтове, гвоздеи и други метални елементи в обработвания детайл; отстранете ги преди да започнете работата.
- При включване в контакта, се уверете, че инструментът е изключен (инструменти с номинално напрежение 230V или 240V могат да бъдат включени и към захранване с напрежение 220V).
- Затенете работните части при условие, че те не са стабилни.
- Прахът от някои материали, като например съдържаща олово боя, някои видове дървесина, минерали и метали може да бъде вреден (контакт или вдишване на такъв прах могат да причинят алергични реакции и/или респираторни заболявания на оператора или стоящите наблизо лица); използвайте противопрахова маска и работете с аспираиращо прахта устройство, когато такова може да бъде свързано.
- Следвайте дефинираните по БДС изисквания относно запаршеността за материалите, които желаете да обработвате.
- При включване в контакта се уверете, че електроинструмента е изключена.

ПРИ УПОТРЕБА

- Винаги отвеждайте захранващия кабел далеч от движещите се звена на електроинструмента; прехвърлете кабела отзад, далеч от електроинструмента.
- Не използвайте инструмента, когато е повреден шнурът или основният блок (= предпазен механизъм); замената му следва да се извърши от квалифицирано лице.
- Пазете ръцете и пръстите си от фрезоващия нож, когато инструментът е включен.

- В случай на електрическа или механична неизправност, изключете незабавно инструмента и прекъснете контакта с електрическата мрежа.
- В случай на заклиняване на ножа, предизвикващо вибрации, незабавно изключете инструмента.
- В случай на прекъсване на захранването или случайно издърпване на щепсела незабавно, веднага изключете инструмента, за да избегнете случайно рестартиране на инструмента.
- При спиране на инструмента, не прилагайте сила.

ОКОЛНА СРЕДА

БРАКУВАНЕ

С оглед опазване на околната среда електроинструментът, допълнителните приспособления и опаковката трябва да бъдат подложени на подходяща преработка за повторното използване на съдържателите се в тях суровини.

САМО ЗА СТРАНИ ОТ ЕС



Не извършвайте електроинструментите при битовите отпадъци!
Съгласно Директивата на ЕС 2002/96/ЕС относно бракувани електрически и електронни устройства и утвърждаването ѝ като национален закон електроинструментите, които не могат да се използват повече, трябва да се събират отделно и да бъдат подлагани на подходяща преработка за оползотворяване на съдържателите се в тях вторични суровини.

УКАЗАНИЯ ЗА РАБОТА

- Използвайте само подходящи фрезоващи ножове.
- За фрезование на профили, успоредни на страничния край на работния материал, използвайте направляваща втулка.
- За изработване на успоредни профили в материала, отстоящи на разстояние от ръба му:
 - закрепете право парче дърво върху работния материал с помощта на 2 скоби.
 - придвижвайте инструмента така, че основният блок да се движи по ръба на дървото, което в случая играе ролята на направляваща втулка.
- Предпазвайте се от ефектите от вибрациите, като поддържайте инструмента и аксесоарите му, пазете ръцете си топли и организирате вашите модели на работа.

ОРГАНИ ЗА УПРАВЛЕНИЕ

Виж фигура 1:

- A** Фреза Dremel
- B** Регулиране на скоростта
- C** Монтажен ключ и зона за съхранение
- D** Ръкохватка (завъртете за блокиране)
- E** Зона за съхранение на гаечен ключ за захващащата цаंगा (Ключът не е включен в комплекта)
- F** Мащаб на дълбочината (английски/метрични мерки)
- G** Водач за края на детайла
- H** Водач за кръгли детайли
- I** Бутон за блокиране на вала
- J** Ръкохватка (неподвижна)
- K** Регулираща гайка, долна
- L** Ограничител на дълбочината
- M** Регулираща гайка, горна
- N** Бутон за изключване

СГЛОБЯВАНЕ

МОНТИРАНЕ НА ПРИСТАВКАТА ЗА ОБЕРФРЕЗА КЪМ ИНСТРУМЕНТА

ПРИСТАВКА ЗА ИЗПОЛЗВАНЕ С ФРЕЗА DREMEL, МОДЕЛИ 300, 395, 398, 400, 4000.

ВНИМАНИЕ Изключете щепсела от контакта, преди да правите регулировки при монтажа или да смените принадлежностите. Подобни предпазни мерки намаляват риска от случайно включване на уреда.

1. Свалете захващащата цанга и след това капачето на корпуса от фрезата; приберете капачето на корпуса (фиг. 2). То трябва да бъде поставено отново, когато приставката не се използва. След сваляне на капачето на корпуса, слобете отново захващащата цанга.

Вижте фигура 2:

- A** Капаче на корпуса

2. Поставете инструмента в мястото за приставки на фрезата, така че бутонът за блокиране на вала да е обърнат напред, както е показано (фиг. 3).
3. Завийте монтажната гайка по посока на часовниковата стрелка върху нарязаната с резба част на фрезата и я затегнете здраво с предоставения монтажен ключ.

Вижте фигура 3:

- A** Монтажен ключ
B Монтажна гайка
C Бутон за блокиране на вала

ИНСТРУКЦИИ ЗА ЕКСПЛОАТАЦИЯ

ВНИМАНИЕ: Тази приставка ще превърне фрезата Dremel в оберфреза за изрязване на неправилни форми, обработка на ръбове, изрязване на жлебове и кръгли форми. Приставката за оберфреза се предлага слобена и готова за изрязване на неправилни форми или за използване на насочващ крайник. Периодичното почистване и смазване на водещите щифтове ще направи фрезването по-плавно. Натиснете и блокирайте оберфрезата; нанесете равномерно лека смазка (напр. технически вазелин, олио) в горната част на водещите щифтове.

ВНИМАНИЕ Тази приставка за оберфреза не е предназначена за използване с фреза или струг с масичка.

Технически характеристики на принадлежностите

Вижте фигура 4A.

ПОСТАВЯНЕ НА НАКРАЙНИКА ЗА ФРЕЗОВАНЕ

Накрайниците за фрезозване се закрепват към инструмента чрез система с цапфа. Крайникът може да бъде монтиран преди или след поставяне на фрезата в приставката.

1. Натиснете и задръжте бутона за блокиране на вала, като същевременно въртите захващащата цапфа и вала. Продължавайте да ги въртите, докато блокировката се включи и задръжи вала на място (фиг. 4).
2. Използвайте гаечния ключ от комплекта на фрезата Dremel и завийте захващащата цапфа обратно на часовниковата стрелка, за да я разхлабите.
3. Освободете бутона за блокиране на вала.

4. Поставете крайника за фрезозване в цапфата възможно най-дълбоко, за да осигурите правилното му закрепване и да намалите износването му. Не го поставяйте обаче толкова навътре, че да докосва патронника или захващащата цапфа, за да избегнете надраскването или нацърбването му.
ЗАБЕЛЕЖКА: Никога не поставяйте инструмента с крайник, който се издава извън основата, върху тезгях или работна повърхност. Оставете инструмента легнал настрани или прибрайте назад крайника, преди да го поставите върху тезгях или работна повърхност. Издаващият се режещ крайник може да причини отскачане на инструмента.
5. Задействайте отново бутона за блокиране на вала и затегнете захващащата цапфа; първо на ръка, а след това с гаечния ключ, докато закрепите здраво крайника.

Вижте фигура 4B:

- A** Гаечен ключ за захващащата цапфа
B Основа
C Захващаща цапфа
D Бутон за блокиране на вала

РЕГУЛИРАНЕ НА ДЪЛБОЧИНАТА НА ФРЕЗОВАНЕ

ЗАБЕЛЕЖКА: При извършване на дълбоки срезове, особено при рязане с оберфрезата далече от ръба на работния детайл, се препоръчва да се направят няколко последователни среза с постепенно увеличаваща се дълбочина, като се използва регулирането и мащабирането на дълбочината, вместо да се направи един дълбок срез.

Ограничителя на дълбочината може да се регулира за две стойности на дълбочината.

1. Поставете фрезата Dremel с монтирана оберфреза върху работния детайл.
2. Завъртете горната регулираща гайка нагоре, а долната - надолу, така че ограничителя на дълбочината да може да се движи свободно (фиг. 5).

Вижте фигура 5:

- A** Ограничител на дълбочината
B Горна регулираща гайка
C Долна регулираща гайка

3. Разхлабете блокиращата ръкохватка (фиг. 6). Наведете леко инструмента, докато крайникът за фрезозване докосне работния детайл.

Вижте фигура 6:

- A** Ръкохватка
B Бутон за изключване

4. Затегнете блокиращата ръкохватка, за да застопирате инструмента на място.
5. Натиснете и задръжте бутона за освобождаване, така че ограничителя на дълбочината да докосва основата на оберфрезата.

Първа дълбочина на фрезозване

6. Завъртете ограничителя на дълбочината нагоре, така че измерването X да е равно на първата желана дълбочина на фрезозване (фиг. 7).

ЗАБЕЛЕЖКА: 1 оборот е равен на 0,06" (1,5 мм)

Вижте фигура 7:

- A** Ограничител на дълбочината
B Горна регулираща гайка

7. Завъртете горната регулираща гайка надолу плътно до корпуса на фрезата.

Втора дълбочина на фрезование

8. Завъртете ограничителя на дълбочината нагоре, така че измерването Х да е равно на втората желана дълбочина на фрезование. Уверете се, че горната регулираща гайка се върти заедно с ограничителя на дълбочината, така че да се намира настрани от корпуса на фрезата (фиг. 8).

Вижте фигура 8:

- A** Ограничител на дълбочината
B Долна регулираща гайка

9. Завъртете долната регулираща гайка нагоре плътно до корпуса на фрезата.

ЗАБЕЛЕЖКА: Горната регулираща гайка трябва да остане неподвижна при затягане на долната.

10. Натиснете бутона за освобождаване, за да изберете първата или втората дълбочина на фрезование (фиг. 9).

ЗАБЕЛЕЖКА: Регулирането на всяка дълбочина на фрезование трябва да бъде проверено чрез пробно рязане и коригирано при необходимост.

Вижте фигура 9:

- A** Бутон за изключване

При завършване на фрезването разхлабете ръкохватката и върнете оберфрезата в горно положение.

ПОДАВАНЕ НА ОБЕРФРЕЗАТА

Ако управлението на оберфрезата е трудно, ако тя се загрява, работи прекалено бавно или осъществява неправилен срез, преценете дали това не се дължи на следните причини:

- Неправилна посока на подаване – трудно управление.
- Прекалено бързо подаване – претоварва мотора.
- Изтъпен крайник – претоварва мотора.
- Твърде широк срез за един ход – претоварва мотора.
- Прекалено бавно подаване – оставя изгаряния от триене по работния детайл.

Подавайте плъвно и равномерно (не насилвайте). Скоро ще научите звуците, издавани от оберфрезата, и ще почувствате кога работи по най-добрия начин.

Скорост на подаване

При фрезование или изтъпяване на подобна работа върху дърво или пластмаса най-добри крайни резултати ще се получат, ако дълбочината на рязане и скоростта на подаване са регулирани така, че моторът да работи с висока скорост.

Подавайте оберфрезата с умерена скорост. Меките материали изискват по-висока скорост на подаване в сравнение с твърдите.

При неправилно използване или претоварване моторът на оберфрезата може да заглъхва. Намалете скоростта на подаване, за да предотвратите възможна повреда на инструмента. Преди използване винаги се уверявайте, че захващащата цапфа е добре затегната. Винаги използвайте крайници за фрезование с най-късата речежа дължина, с която може да се осъществи желаното рязане. Това ще намали износването и вибрациите на инструмента.

Оформяне на ръбовете

При оформяне на ръбовете винаги използвайте насочващи или опорни крайници. Долната част на насочващия армиран крайник представлява вал без речежи ръбове. Опорните водещи крайници имат ролков лагер, който да ги насочва.

Насочващите плъзгачи по ръба на работния детайл, както и въртящите се ножове, оформят декоративни ръбове на среза. Ръбът, по който се плъзга насочващият водач, трябва да бъде идеално гладък, тъй като всички неравности се прехвърлят върху обработваната повърхност.

При фрезование на работен детайл, който изисква работа по краищата при напречен разрез, винаги подавайте ръба на напречния разрез преди ръбовете, които са по дължината на влакната. Така намалява възможността за повреда от разкъсване на ръба на напречния разрез.

Посока на подаване на оберфрезата

Шпинделът на оберфрезата се върти по посока на часовниковата стрелка, гледано отгоре. За най-добър контрол и качество на среза подавайте инструмента към работния детайл в посоката, в която крайникът се стреми да излезе от дървото. Неправилната посока на подаване ще накара крайника да се качва върху дървото. Подавайте инструмента в показаната тук посока. Ако извършвате рязане около ръба на квадратен детайл, движете инструмента в посока, обратна на часовниковата стрелка. Ако фрезозата вътрешна повърхност, както е показано, го движете в посока, обратна на часовниковата стрелка (фиг. 10).

ЗАБЕЛЕЖКА: Посоката на подаване е изключително важна при използване на насочващ крайник за рязане с неправилна форма по ръба на работен детайл.

Вижте фигура 10:

- A** Посока на подаване на оберфрезата
B Първо се извършва фрезование в напречна посока
C Въртене на крайника

МОНТАЖ НА ВОДАЧА ЗА КРАЙ НА ДЕТАЙЛА

За да използвате водача за края на детайла, монтирайте направляващите щанги в държача на инструмента и ги закрепете с помощта на (2) квадратни гайки #10-24 и (2) фиксатори (фиг. 11). Квадратните гайки ще се плъзват в прореза над направляващите щанги. Фиксаторите на направляващите щанги се поставят от горната страна през отворите и през гайките срещу щангите. Закрепете водачите за краищата на ръбовете към направляващите щанги с помощта на фиксаторите за водачите за краищата на детайла и шестоъгълни гайки.

Поставете шестоъгълните гайки под водача за края на детайла и закрепете със съответния фиксатор към горната му повърхност. Плъзнете възела на водача за края на детайла по водещите щанги, както е показано. Настройте водача за края на детайла на желаното разстояние от ножа и затегнете фиксаторите на водача. (Вижте фиг. 11)

Водачът за края на детайла се използва за оформяне на ръбове, изрязване на фалцови, обшивки, гнезда, езичета, жлебове, прорези и фаски. Не забравяйте, че трябва да подавате така, че ножът да се стреми да издърпа водача за края на детайла към дървото. Постоянната скорост на подаване осигурява гладък срез.

По принцип, когато е необходим дълбок жлеб, трябва да се използват няколко плитки рязания. Максималната им дълбочина зависи от използвания материал. Не подавайте толкова бързо, че моторът значително да забави оборотите си.

Вижте фигура 11:

- A** Винт за регулиране на дълбочината
B Фиксатор на направляващата цапфа
C Квадратни гайки
D Направляващи щанги
E Водач за края на детайла
F Декоративен гвоздей
G Водач за кръгли детайли
H Шестоъгълни гайки
I Фиксатор за водача за края на детайла

ВОДАЧ ЗА КРАЯ НА ДЕТАЙЛА

Монтаж

1. Монтирайте водача за края на детайла към монтажните блокове на оберфрезата (фиг. 12).

Вижте фигура 12:

- A Монтажни блокове
- B Водач за края на детайла

2. Поставете паралелния водач към работната повърхност, като обърнете накрайника за фрезозане в желаната посока.
3. Затегнете винтовете с крилчатата глава.

Фрезозане с водач за края на детайла

Плъзнете плоския край на водача за края на детайла по дължината на работната повърхност.

ВОДАЧ ЗА КРЪГЛИ ДЕТАЙЛИ

Дъги и кръгове за фрезозане

1. Сваляте водача за края на детайла и монтирайте скобата на водача за кръгли детайли към направляващите щанги (фиг. 13).

Вижте фигура 13:

- A Декоративен гвоздей
- B Водач за края на детайла

2. Използвайте предоставения декоративен гвоздей като отправна точка. Настройте водача за кръгли детайли за желания радиус.
3. Поставете гвоздеа през отвора във водача, така че да бъде в центъра на зоната, която трябва да се изреже.

ШАБЛОНИ

Използването на шаблони ви позволява да правите всеки път еднакви копия от фигури или букви. Тази техника изисква използването на направляваща втулка.

НАПРАВЛЯВАЩИ ВТУЛКИ

Направляващата втулка, показана на фиг. 14, представлява въздушна пластина с шийка, която се поставя в отвора в основата, както е показано, и се закрепва чрез завиване на резбата на гнездото на втулката от горната страна на направляващата втулка. Направляващата втулка се движи по ръба на шаблона, докато накрайникът за фрезозане, който се издава от долната страна, реже дървото.

Вижте фигура 14:

- A Гнездо на втулката
- B Направляваща втулка
- C Основа

ВНИМАНИЕ: Уверете се, че дебелината на шаблона е същата или по-голяма от дължината на втулката, която се издава под основата. Не използвайте накрайник, който може да докосне вътрешната част на шийката. Изберете накрайник, чиито диаметър е поне с 2 мм по-малък.

В допълнение, можете лесно да подготвите специални шаблони за изрязване на повтарящи се контури, специални фигури, врезки и други приложения. Шаблонът може да бъде изработен от талашит, строителен картон, метал и дори пластмаса, а фигурата може да се изреже с оберфреза, ножовка или друг подходящ инструмент за рязане.

Не забравяйте, че фигурата трябва да бъде изрязана така, че да компенсира разстоянието между накрайника за фрезозане и направляващата втулка ("отместването"), тъй като завършеният работен детайл ще се различава по размери от шаблона с тази разлика, дължаща се на положението на накрайника (фиг. 15).

Вижте фигура 15:

- A Накрайник за фрезозане
- B Захващаща цапфа
- C Направляваща втулка
- D Основа
- E Шаблон
- F Работен детайл
- G Отместване

ФРЕЗОЗАНАНЕ С НЕПРАВИЛНА ФОРМА

Много ефекти се постигат чрез използване на накрайник с малък диаметър за изрязване на неправилни форми. Обикновено майсторът очертава с молив или маркира желаната форма върху детайла и използва контура с молив като направляващ водач.

СЕРВИЗНО ОБСЛУЖВАНЕ И ГАРАНЦИЯ

За този продукт на DREMEL се предоставя гаранция съгласно законовите специфични за съответната страна разпоредби; гаранцията изключва повреди, причинени от износване в нормалния ход на работа, от претоварване или неправилна употреба.

В случай на рекламация, изпатете инструмента *неразглобен* заедно с документ, удостоверяващ покупката на Вашия търговец.

ЗА КОНТАКТИ С DREMEL

За повече информация за асортимента, поддръжката и пряка телефонна връзка с DREMEL, посетете www.dremel.com

Dremel Europe, P.O. Box 3267, 4800 DG Breda, Нидерландия

ÁLTALÁNOS BIZTONSÁGI ELŐÍRÁSOK

H



FIGYELEM

OLVASSA EL AZ ÖSSZES ELŐÍRÁST.

Ha nem tartja be a következő előírásokat, akkor ez áramütéshez, tűzhöz és/vagy súlyos személyi sérülésekhez vezethet. Az alább alkalmazott „elektromos kéziszerszám-fogalom” a hálózati elektromos kéziszerszámokat (hálózati csatlakozó kábellel) és az akkumulátoros elektromos kéziszerszámokat (hálózati csatlakozó kábel nélkül) foglalja magában.

KÉRJÜK GONDOSAN ŐRIZZE MEG EZEKET AZ ELŐÍRÁSOKAT


MUNKAHÉLY

- Tartsa tisztán és tartsa rendben a munkahelyét. A *rendeltenség és a megvilágítatlan munkaterület balesetekhez vezethet.*
- Ne dolgozzon a berendezéssel olyan robbanásveszélyes környezetben, ahol éghető folyadékok, gázok vagy porok vannak. *Az elektromos kéziszerszámok szikrákat keltenek, amelyek a port vagy a gőzöket meggyújthatják.*
- Tartsa távol a gyerekeket és az idegen személyeket a munkahelytől, ha az elektromos kéziszerszámot használja. *Ha elvonják a figyelmét, elvesztheti az uralmát a berendezés felett.*

ELEKTROMOS BIZTONSÁGI ELŐÍRÁSOK

- A készülék csatlakozó dugójának bele kell illeszkednie a dugaszolóaljzatba. A csatlakozó dugót semmilyen módon sem szabad megváltoztatni. Védőföldeléssel ellátott készülékekkel kapcsolatban ne használjon csatlakozó adaptert. *A változtatás nélküli csatlakozó dugók és a megfelelő dugaszoló aljzatok csökkentik az áramütés kockázatát.*
- Kerülje el a földelt felületek, például csövek, fűtőtestek, kályhák és hűtőgépek megérintését. *Az áramütési veszély megnövekszik, ha a teste le van földelve.*
- Tartsa távol az elektromos kéziszerszámtól az esőtől vagy nedvségtől. *Ha víz hatol be egy elektromos kéziszerszámba, ez megnöveli az áramütés veszélyét.*
- Soha ne használja a készüléket olyan célra, amelyre az nem való. Ne használja a kábelt a rendeltetésétől eltérő célokra, vagyis a szerszámot soha ne hordozza vagy akassza fel a kábelnél fogva, és soha ne húzza ki a hálózati csatlakozó dugót a kábelnél fogva. Tartsa távol a kábelt hőforrásoktól, olajtól, éles élektől és sarkaktól és mozgó gépkapcsolókatól. *Egy megrongálódott vagy csomókkal telít kábel megnöveli az áramütés veszélyét.*
- Ha egy elektromos kéziszerszámmal a szabad ég alatt dolgozik, csak szabadban való használatra engedélyezett hosszabbítót használni. *A szabadban való használatra engedélyezett hosszabbító használata csökkenti az áramütés veszélyét.*
- Ha nem lehet elkerülni az elektromos kéziszerszám nedves környezetben való használatát, alkalmazzon egy földzárlat megszakítót. *Egy földzárlat megszakító alkalmazása csökkenti az áramütés kockázatát.*

SZEMÉLYI BIZTONSÁG

- Munka közben mindig figyeljen, ügyeljen arra, amit csinál és meggondoltan dolgozzon az elektromos kéziszerszámmal. Ha fáradt, ha kábítószerek vagy alkohol hatása alatt áll, vagy orvosságokat vett be, ne használja a berendezést. *Egy pillanatnyi figyelmetlenség a szerszám használata közben komoly sérülésekhez vezethet.*
-  Viseljen személyi védőfelszerelést és mindig viseljen védőszemüveget. *A személyi védőfelszerelések, mint porvédő álc, csúszásbiztos védőcipő, védősapka és fülvédő használata az elektromos kéziszerszám használata jellegének megfelelően csökkenti a személyes sérülések kockázatát.*
- Kerülje el a készülék akaratlan üzembe helyezését. Győződjön meg arról, hogy az elektromos kéziszerszám ki van kapcsolva, mielőtt bedugná a csatlakozó dugót a dugaszolóaljzatba. *Ha az elektromos kéziszerszám felemelése közben az ujját a kapcsolón tartja, vagy ha a készüléket bekapcsolt állapotban csatlakoztatja az áramforráshoz, ez balesetekhez vezethet.*
- Az elektromos kéziszerszám bekapcsolása előtt okvetlenül távolítsa el a beállítószerszámokat vagy csavarokkat. *Az elektromos kéziszerszám forgó részeiben felejtett beállítószerszám vagy csavarok sérüléseket okozhat.*
- Ne becsülje túl önmagát. *Kerülje el a normálístól eltérő testtartást, ügyeljen arra, hogy mindig biztosan álljon és az egyensúlyát megtartsa. Így az elektromos kéziszerszám felett váratlan helyzetekben is jobban tud uralkodni.*
- Viseljen megfelelő ruhát. *Ne viseljen bő ruhát vagy ékszereket. Tartsa távol a haját, a ruháját és a kesztyűjét a mozgó részekről. A bő ruhát, az ékszereket és a hosszú haját a mozgó alkatrészek magukkal ránthatják.*
- Ha az elektromos kéziszerszámmal fel lehet szerelni a por elszívásához és összegyűjtéséhez szükséges berendezéseket, ellenőrizze, hogy azok megfelelő módon hozzá vannak kapcsolva a készülékhez és rendeltetésüknek megfelelően működnek. *Ezen berendezések használata csökkenti a munka során keletkező por veszélyes hatását.*

- Ne munkáljon meg a berendezéssel azbeszteszt tartalmazó anyagokat (az azbeszteszt rakkeltő hatása van).
- Hozza meg a szükséges védőintézkedéseket, ha a munkák során egészségkárosító hatású, éghető vagy robbanékony porok keletkezhetnek (egyes porfajták rakkeltő hatásúak); viseljen porvédő álcot és használjon, ha hozzá lehet csatlakoztatni a berendezéshez, egy por-/forgácselzívó berendezést.

AZ ELEKTROMOS KÉZISZERSZÁMOK GONDOS KEZELÉSE ÉS HASZNÁLATA

- Ne terhelje túl a berendezést. A munkájához csak az arra szolgáló elektromos kéziszerszámmal használja. *Egy alkalmas elektromos kéziszerszámmal a megadott teljesítménytartományon belül jobban és biztonságosabban lehet dolgozni.*
- Ne használjon olyan elektromos kéziszerszámot, amelynek a kapcsolója elromlott. *Egy olyan elektromos kéziszerszám, amelyet nem lehet sem be-, sem kikapcsolni, veszélyes és meg kell javíttatni.*
- Húzza ki a csatlakozó dugót a dugaszolóaljzattól, mielőtt az elektromos kéziszerszámon beállítási munkákat végez, tartozékokat cserél vagy a szerszámot tárolásra elteszi. *Ez az elővigyázatossági intézkedés meggátolja a szerszám akaratlan üzembe helyezését.*
- A használaton kívüli elektromos kéziszerszámokat olyan helyen tárolja, ahol azokhoz gyerekek nem férhetnek hozzá. Ne hagyja, hogy olyan személyek használják az elektromos kéziszerszámot, akik nem ismerik a szerszámot, vagy nem olvasták el ezt az útmutatót. *Az elektromos kéziszerszámok veszélyesek, ha azokat gyakorlatlan személyek használják.*
- A készüléket gondosan ápolja. Ellenőrizze, hogy a mozgó alkatrészek kifogástalanul működnek-e, nincsenek-e beszorulva, és nincsenek-e eltörve vagy megrongálódva olyan alkatrészek, amelyek hatással lehetnek az elektromos kéziszerszám működésére. A berendezés megrongálódott részeit a készülék használata előtt javíttassa meg. *Sok olyan baleset történik, amelyet az elektromos kéziszerszám nem kielégítő karbantartására lehet visszavezetni.*
- Tartsa tisztán és éles állapotban a vágószerszámokat. *Az éles vágóélekkel rendelkező és gondosan ápolott vágószerszámok ritkábban ékelődnek be és azokat könnyebben lehet vezetni és irányítani.*
- Az elektromos kéziszerszámokat, tartozékokat, betétszerszámokat stb. csak ezen előírásoknak és az adott készüléktípusra vonatkozó kezelési utasításoknak megfelelően használja. Vegye figyelembe a munkafeltételeket és a kivitelezendő munka sajátosságait. *Az elektromos kéziszerszám eredeti rendeltetésétől eltérő célokra való alkalmazása veszélyes helyzetekhez vezethet.*

SZERVÍZ-ELLENŐRZÉS

- Az elektromos kéziszerszámot csak szakképzett személyzet csak eredeti pótalkatrészek felhasználásával javíthatja. *Ez biztosítja, hogy az elektromos kéziszerszám biztonságos szerszám maradjon.*

BIZTONSÁGI ELŐÍRÁSOK FELSŐMARÓKHOZ

ÁLTALÁNOS TUDNIVALÓK

- A készüléket csak 16 éven felüli személyek használják.
- Mindig húzza ki a dugaszolóaljzattól mielőtt tartozékokat cserélne vagy bármit változtatna a gép beállításán.

TARTOZÉKOK

- Csak olyan tartozékokat használjon, amelyek legmagasabb megengedett fordulatszáma legalább akkora, mint a berendezés legmagasabb üresjárati fordulatszáma.
- Ne használjon károsodott vagy deformálódott marófejet.
- Csak éles marófejjel dolgozzon.
- A tartozékokat védje az ütődésektől és a kenőanyagoktól.

HASZNÁLAT ELŐTT

- Ügyeljen arra, hogy a munkadarabban lévő csavar, szög vagy hasonló alkatrész ne okozhasson; a munka megkezdése előtt eltávolítandó.
- Mindig ellenőrizze, hogy a hálózati feszültség megegyezik-e a szerszám adattábláján feltüntetett értékkel (a 230V vagy 240V jelzésű gépek 220V feszültségre is csatlakoztathatók).
- Ha a munkadarabot nem tartja a helyén saját súlya, rögzítse azt.
- Az anyagból származó por (mint például az ölmot, néhány fafajtát, ásványi anyagokat és fémeket tartalmazó festékek) káros lehet (a por érintése vagy belégzése allergiás reakciókat és/vagy légzőszervi betegségeket okozhat a kezelő, illetve a közelben állók esetében); viseljen pormaszkot és amennyiben csatlakoztatható, dolgozzon porelszívó berendezéssel.
- Kövesse a por kezelésével kapcsolatos helyi előírásokat azon termékkel kapcsolatosan, amellyel dolgozni kíván.
- Győződjön meg róla, hogy a gép ki legyen kapcsolva mielőtt a hálózati csatlakozóba bedugja.

HASZNÁLAT KÖZBEN

- A gép mozgó részétől mindig tartsa távol az elektromos kábelt; terelje a tápkábelt a gép hátulja felé, a géptől elfelé.
- Soha ne használja a szerszámot ha a kábel vagy a talplemez (= védőburkolat) sérült; cseréltesse ki szakértő által.
- A készülék bekapcsolásakor a keze és az ujjai ne legyen a marófej közelében.
- Normálístól eltérő működés valamint szokatlann, idegen hangok esetén a készüléket azonnal kapcsolja ki és a kábelt húzza ki a fali dugaszoló aljzatból.
- Ha a marófej elakad, és emiatt rángat a gép, azonnal kapcsolja ki.
- Ha áramszünet következik be, vagy ha a dugós csatlakozót véletlenül kihúzza, azonnal kapcsolja le a berendezést, nehogy a készülék ellenőrizetlenül újrainduljon.
- Soha ne fejtse ki akkora nyomást a gépre, hogy az megálljon.

KÖRNYEZET

ELTÁVOLÍTÁS

Az elektromos kéziszerszámokat, a tartozékokat és a csomagolást a környezetvédelmi szempontoknak megfelelően kell újrafelhasználásra előkészíteni.

CSAK AZ EU-TAGORSZÁGOK SZÁMÁRA



Ne dobja ki az elektromos kéziszerszámokat a háztartási szemétkébe!

A használt villamos és elektronikus berendezésekre vonatkozó 2002/96/EG sz. Európai Irányelvnek és ennek a megfelelő

országok jogharmonizációjának megfelelően a már használhatatlan elektromos kéziszerszámokat külön össze kell gyűjteni és a környezetvédelmi szempontból megfelelő újra felhasználásra le kell adni.

HASZNÁLAT

- Fontos, hogy mindig megfelelő marófejet használjon.
- Munkadarab szélével párhuzamosan végzett munkákhoz használja a távtartót.
- A munkadarab szélétől távol eső, azzal párhuzamosan végzendő munkák esetén:
 - egy kemény falécet fogasson fel 2 szorítóval a munkadarabra.
 - a felsőmaró talpának egyenes oldalát a faléc mentén vezessük, ez szolgál most oldalvezetőként.

- Az eszköz és tartozékai karbantartásával, kezének melegen tartásával, és munkavégzésének megszervezésével védje meg magát a rezgések hatásaitól.

KEZELŐSZERVEK

Lásd az 1. ábrát:

- A** Dremel forgószerszám
- B** Sebességállító
- C** Villáskulcs és tartóhelye
- D** Fogantyú (fordítsa el a rögzítéshez)
- E** Befogóhüvely-kulcs tárolóhelye (a kulcs nem része a csomagnak)
- F** Mélységskála (angolszász/metrikus)
- G** Szélevezető
- H** Kör alakú vezető
- I** Tengelyrögzítő gomb
- J** Fogantyú (álló)
- K** Állítóanya, alsó
- L** Mélységmegállító
- M** Állítóanya, felső
- N** Kioldógomb

ÖSSZESZERELÉS

A SÜLLYESZTHETŐ FELSŐMARÓ SZERELVÉNY ÖSSZESZERELÉSE A SZERSZÁMHOZ

A SZERELVÉNY A KÖVETKEZŐ DREMEL FORGÓSZERSZÁMOKHOZ HASZNÁLHATÓ: 300, 395, 398, 400, 4000.

FIGYELEM Húzza ki a csatlakozót a hálózati aljzatból, mielőtt állít a szerelvényen vagy tartozékot cseréli! Az ilyen megelőző intézkedések csökkentik a szerzám véletlen elindításának a kockázatát.

1. Távolítsa el a befogóanyát, majd a zárósapkát a szerzámról, és tegye el a zárósapkát (2. ábra). A zárósapkát vissza kell helyezni, ha nem használja ezt a szerelvényt. A zárósapka eltávolítása után helyezze vissza a befogóanyát.

Lásd a 2. ábrát:

- A** Zárósapka
- 2. Helyezze a szerszámot a maró szerelvénybe úgy, hogy a tengelybiztosító gomb az ábra szerint elől legyen (3. ábra).
- 3. Csavarja rá a rögzítőanyát a szerzám menetes részére, és biztonságosan szorítsa meg azt a mellékelt rögzítőkulccsal.

Lásd a 3. ábrát:

- A** Rögzítőkulcs
- B** Rögzítőanya
- C** Tengelyrögzítő gomb

HASZNÁLATI UTASÍTÁSOK

FIGYELEM! Ez a szerelvény a Dremel szerszámot egy süllyeszthető felsőmaróvá alakítja, mely szabadkézi marásra, szélezésre, hornyolásra és kör alakú vágásra használható. A felsőmaró szerelvény szabadkézi és vezető maróval való használatra készen érkezik.

A vezetők rendszeres tisztítása és kenése biztosítja a sima marási műveletet. Engedje le és rögzítse a felsőmarót, és juttassa egyenletesen a kenőanyagot (pl. vazelint vagy fűzőolajat) a vezetősínplokok felső részére.

FIGYELEM Ez a maró szerelvény nem maró vagy fűrészszat alatti használatra való.

Kellékek műszaki adatai

Lásd a 4.A ábrát.

A MARÓHEGY BEHELYEZÉSE

A maróhegyet a befogórendszer tartja a szerszámban. A hegy akár a szerszám szerelvénybe helyezése előtt vagy az után is behelyezhető.

1. Nyomja meg, és tartsa megnyomva a tengelybiztosító gombot, míg elforgatja a befogóanyát és a tengelyt. Addig forgassa a befogóanyát és a tengelyt, míg a biztosító gomb nem esik, és meg nem tartja a tengelyt (4. ábra).
2. Használja a Dremel szerszámhoz kapott csavarkulcsot, és az óramutató járásával ellenkező irányban elforgatva lazítsa meg a befogót.
3. Engedje el a tengelybiztosító gombot.
4. A lehető legmélyebben helyezze be a maróhegyet a befogóba, hogy biztosítsa a hegy megfelelő tartását és minimalizálja a kifutást. Ne tolja be annyira a hegyet, hogy annak rovátkái elérjék a befogót vagy a befogóanyát, hogy elkerülje a hegy forgácsoldódását vagy elrepedését.

MEGJEGYZÉS: Soha ne helyezze a szerszámot a talpán átrnyúló hegygel a munkapadra vagy a munkafelületre. Az oldalára fektesse a szerszámot, vagy húzza vissza a hegyét, mielőtt a munkapadra vagy a munkafelületre állítja. A kinyúló vágóhegy a szerszám megugrását okozhatja.

5. Nyomja be ismét a tengelybiztosító gombot, és szorítsa meg a befogóanyát; először kézzel, majd a csavarkulccsal, míg a hegyet biztonságosan nem tartja a szerszám.

Lásd a 4.B ábrát:

- A Befogóanya kulcsa
- B Talp
- C Befogóanya
- D Tengelyrögzítő gomb

A MARÁS MÉLYSÉGÉNEK BEÁLLÍTÁSA

MEGJEGYZÉS: Amikor mély vágásokat készít, különösen a sülyesztett vágásokat a munkadarab széléltől távol, akkor egy mély vágás helyett ajánlatos inkább több egymás utáni vágást készíteni egyre mélyebben, a mélységállító és a mélységskála használatával.

A mélységátrolót két mélységre lehet beállítani.

1. Helyezze a Dremel szerszámot és a felsőmaró szerelvényét a munkadarabra.
2. Forgassa a felső állító anyát felfelé, és az alsó állító anyát lefelé, hogy a mélységmegállító szabadon mozoghasson (5. ábra).

Lásd az 5. ábrát:

- A Mélységmegállító
- B Felső állítóanya
- C Alsó állítóanya

3. Lazítsa meg a rögzítő fogantyút (6. ábra). Lassan engedje le a szerszámot, míg a maróhegy meg nem érinti a munkadarabot.

Lásd a 6. ábrát:

- A Fogantyú
- B Kioldógomb

4. Szorítsa meg a rögzítő fogantyút, hogy a helyén rögzítse a szerszámot.
5. Nyomja meg, és tartsa megnyomva a kioldógombot, hogy a mélységmegállító hozzáérinten a maró talpához.

1. marási mélység

6. Forgassa felfelé a mélységmegállítót úgy, hogy az X mérete megegyezzen a kívánt első marási mélységgel (7. ábra).

MEGJEGYZÉS: 1 fordulat egyenlő 1,5 mm (0.06")

Lásd a 7. ábrát:

- A Mélységmegállító
- B Felső állítóanya

7. Forgassa a felső állítóanyát lefelé egészen a maró keretéig.

2. marási mélység

8. Forgassa felfelé a mélységmegállítót úgy, hogy az X mérete megegyezzen a kívánt második marási mélységgel. Ügyeljen arra, hogy a felső állítóanya a mélységmegállítóval forduljon, hogy az elemelkedjen a maró keretétől (8. ábra).

Lásd a 8. ábrát:

- A Mélységmegállító
- B Alsó állítóanya

9. Forgassa az alsó állítóanyát felfelé egészen a maró keretéig.

MEGJEGYZÉS: A felső állítóanyának helyben kell maradnia, amikor megszorítja az alsó állítóanyát.

10. Nyomja meg a kioldógombot az 1. és a 2. marási mélység kiválasztásához (9. ábra).

MEGJEGYZÉS: Mindegyik marási mélységet ellenőrizni kell egy próbavágással, és szükség szerint állítani kell rajta.

Lásd a 9. ábrát:

- A Kioldógomb

A marás befejezése után lazítsa meg a fogantyút, és állítsa vissza a marót a felső pozícióba.

A MARÓ ADAGOLÁSA

Ha a marót nehéz irányítani, felmelegszik, nagyon lassan halad vagy tökéletlen vágást hagy maga után, akkor tekintse át a következőket:

- Rossz adagolási irány – nehéz irányítani.
- Túl gyors adagolás – túlterheli a motort.
- Tompa hegy – túlterheli a motort.
- Túl nagy vágás egy menetben – túlterheli a motort.
- Túl lassú adagolás – dörszölési égésnyomokat hagy maga után a munkadarabon.

Akadózás nélkül, egyenletesen adagoljon (ne erőltesse). Rövid időn belül meg fogja tapasztalni a marás hangját, és érezni fogja, mikor működik a legjobban.

Az adagolás mértéke

Ha fa vagy műanyag munkadarabon végez marást és ahhoz tartozó munkát, akkor a legjobb végeredményt azzal érheti el, hogy a marási mélységet és az adagolás mértékét úgy szabályozza, hogy a motor nagy sebességgel működjön.

Mérsékelten adagolja a marót. A puha anyagok gyorsabb adagolást igényelnek, mint a kemény anyagok.

A maró leállhat, ha nem megfelelően használja vagy túlterheli azt.

Csökkentse az adagolás mértékét, hogy megelőzze a szerszám esetleges sérülését. Mindig ügyeljen arra, hogy a befogóanya a használat előtt biztonságosan meg legyen szorítva. Mindig a kívánt vágáshoz szükséges legrövidebb vágóélű hegyet használja. Ez minimalizálja a maróhegy kifutását és egyenetlen vágását.

Élformázás

Élformázásnál mindig vezetős vagy vivős hegyeket használjon. A vezetős hegyű marónak az alja egy vágóélek nélküli tengely. A vivős vezetős hegyeknél egy golyó vezeti a hegyet.

A vezető a munkadarab szélén csúszik, és a forgó élek dekoratív szélt vágna. A vezetőt csúszató széleknek tökéletesen simáknak kell lenniük, mert a vezető minden szabálytalanságát átvisz a megformált felületre.

Ha a munkaanyag érdes végén kell élformázást végeznie, akkor mindig az érdes felületet marja ki az érdes részt követő élek előtt. Ezzel minimalizálja az érdes végek szélén előforduló esetleges kilökődésből származó sérüléseket.

Marási adagolás iránya

A maró tengelye felülről nézve az óramutató járásával megegyező irányban forog. A legjobb irányításhoz és vágásminőséghez olyan irányban adagolja a szerszámot a munkadarabra, hogy a hegy behúzza saját magát a fába. A nem megfelelő adagolási irány a hegy felemelkedését okozhatja a fán keresztül.

Az itt bemutatott irányban adagolja a szerszámot. Ha egy szögletes darab szélét vágja, akkor az óramutató járásával ellenkező irányban mozgassa a szerszámot. Ha az ábra szerint egy felület belsejében végez marást, akkor óramutató járásával megegyező irányban mozogjon (10. ábrát).

MEGJEGYZÉS: Az adagolási irány rendkívül fontos, ha szabad kézzel végez marást vezető hegygel a munkadarab szélén.

Lásd a 10. ábrát:

- A Marási adagolás iránya
- B Marás először az érdes végén
- C Hegy forgása

A SZÉLVEZETŐ ÖSSZESZERELÉSE

A szélvezető használatához illesse a vezető rúdjaikat a szerszámtartóba, és rögzítse azokat a (2) #10-24 szögletes anyákkal és (2) vezető rudak gombjaival (11. ábra).

A szögletes anya a tartórudak fölötti résekbe csúszik. A vezető rudak gombjai felülről, a lyukakon keresztül illeszkednek lefelé az anyákon keresztül a rudakhoz. A szélvezetőt a vezetőrudakhoz a szélvezető gombjaival és a hatlapfejű anyákkal rögzítse.

Helyezze a hatlapfejű anyákat a szélvezető alá, és rögzítse azokat a szélvezető gombjaival a szélvezető felső felületén. Az ábra szerint csúsztassa a szélvezetőt a vezetőrudakra. Állítsa a szélvezetőt a kívánt távolságra a vágóéltől, és rögzítse azt a szélvezető gombjaival. (Lásd a 11. ábrát)

A szélvezető a szélek megformálására, hornyok, nütök, csapok, nyelvek, eresztékek, rések és ferde élek vágására szolgál. Ügyeljen az olyan adagolásra, hogy a vágóél behúzza a szélvezetőt a fához. Az egyenletes adagolási sebesség sima vágási felületet biztosít.

Általában több sekély vágást kell végrehajtani, ha egy mély hornyot kell készíteni. A vágás maximális mélysége a használt anyagtól függően változik. Ne adagolja túl a munkadarabot annyira, hogy a motor érezhetően lelassuljon.

Lásd a 11. ábrát:

- A Mélységállító csavar
- B Vezetőrud gombja
- C Szögletes anyák
- D Vezetőrudak
- E Szélvezető
- F Bognárszeg
- G Kör alakú vezető
- H Hatlapfejű anyák
- I Szélvezető gombja

SZÉLVEZETŐ

Telepítés

1. Telepítse a szélvezetőt a felsőmaró rögzítőblokkjához (12. ábra).

Lásd a 12. ábrát:

- A Rögzítőblokk
- B Szélvezető

2. Helyezze a párhuzamos vezetőt a munkafelülethez úgy, hogy a maróhegy a kívánt pozícióban legyen.

3. Szorítsa meg a kézzel rögzíthető csavarokat.

Marás a szélvezetővel

Csúsztassa a szélvezető lapos oldalát a munkafelület mellé.

KÖR ALAKÚ VEZETŐ

Ívek és körök marása

1. Távolítsa el a szélvezetőt, és csatlakoztassa a kör alakú vezető konzolját a vezetőrudakhoz (13. ábra).

Lásd a 13. ábrát:

- A Bognárszeg
 - B Szélvezető
2. A mellékelt bognárszeget a köröz hegyeként használja. Állítsa a kör alakú vezetőt a kívánt sugár méretére.
 3. Helyezze a szeget a vezetőn lévő lyukba, majd a kivágandó sugárú kör középpontjába.

SABLONOK

A sablonminták használatával mintákat vagy akár betűket másolhat időről időre változatlan formában. Ehhez a technikához vezetőperselyt kell használni.

VEZETŐPERSELYEK

Az ábrán látható vezetőpersely (14. ábra) lényegében egy galléros lemez, amelyet a talpa kell behelyezni, majd a menetes perselydugóval kell felülről rögzíteni. A vezetőpersely a sablon szélén fut, míg az alul kitüremkedő maróhegy belevág a munkadarabba.

Lásd a 14. ábrát:

- A Perselydugó
- B Vezetőpersely
- C Talp

FIGYELEM: Ügyeljen arra, hogy a sablon vastagsága ugyanakkora vagy nagyobb legyen, mint a perselynek a talp alá kinyúló hossza.

Ne használjon olyan hegyet, amely megérintheti a gallér belsejét. Olyan hegyet válasszon, amely átmérője legalább 2 mm-rel kisebb.

Könnyen lehet speciális sablonokat készíteni az ismételt minták, különleges rajzolatok, betűk kivágásához és más alkalmazásokhoz. A sablonminták lehetnek rétegelt lemezből, kemény lapból, fémből vagy akár műanyagból, a mintákat pedig maróval, lombfűrészszel vagy más alkalmas szerszámmal lehet kialakítani.

Ügyeljen arra, hogy a mintát úgy kell elkészíteni, hogy ellensúlyozza a maróhegy és a vezetőpersely közötti távolságot (az "eltolást"), így a végső munkadarab mérete a hegy pozíciója miatt ennyivel el fog térni a sablon mintájától (15. ábra).

Lásd a 15. ábrát:

- A Maróhegy
- B Befogóanya
- C Vezetőpersely
- D Talp
- E Sablonminta
- F Munkadarab
- G Ettlás

SZABADKÉZI MARÁS

Sokféle hatást lehet azzal elérni, ha szabad kézzel irányítja a marót egy kis átmérőjű hegygel. A kézművesek általában megrajzolják a körvonalakat vagy az írást a munkadarabra, és a rajzolt vonalakat használják vezetőnek.

SZERVIZ ÉS GARANCIA

Ez a DREMEL termék garantáltan kielégíti a törvényi illetve országspecifikus előírásokat; a normális használatból eredő kopás és elhasználódás, túlterhelés és helytelen kezelés miatt bekövetkező károsodásokra a garancia nem terjed ki.

Panasz esetén küldje vissza a szerszámot *szétszerelés nélkül* a vásárlást igazoló dokumentumokkal együtt a kereskedőhöz.

DREMEL ELÉRHETŐSÉG

A Dremel választékát, támogatását és közvetlen elérhetőségét illetően a www.dremel.com címen talál információt.

Dremel Europe, P.O. Box 3267, 4800 DG Breda, Hollandia

RO INSTRUȚIUNI GENERALE DE SIGURANȚĂ



ATENȚIE CITIȚI TOATE INSTRUȚIUNILE.

Nerespectarea instrucțiunilor enumerate în cele ce urmează poate duce la electrocutare, incendiu și/ sau răniiri grave. Termenul de sculă electrică folosit în continuare se referă la sculele electrice alimentate de la rețea (cu cablu de alimentare) și la cele cu acumulator (fără cablu de alimentare).

PĂSTRAȚI ÎN BUNE CONDIȚII PREZENTELE INSTRUȚIUNI


LOCUL DE MUNCĂ

- Pastrați curățenia și ordinea la locul de muncă. *Dezordinea și sectoarele de lucru neluminate pot duce la accidente.*
- Nu lucrați cu mașina în mediu cu pericol de explozie, în care există lichide, gaze sau pulberi inflamabile. *Sculele electrice generează scântei care pot aprinde praful sau vaporii.*
- Nu permiteți accesul copiilor și al altor persoane în timpul utilizării sculei electrice. *Dacă vă este distrasă atenția puteți pierde controlul asupra mașinii.*

SIGURANȚA ELECTRICĂ

- Ștecherul mașinii trebuie sa fie potrivit prizei electrice. Nu este în nici un caz permisă modificarea ștecherului. Nu folosiți fișe adaptoare la mașinile legate la pământ de protecție. *Ștecherile nemodificate și prizele corespunzătoare diminuează riscul de electrocutare.*
- Evitați contactul corporal cu suprafețe legate la pământ ca țevi, instalații de încălzire, sobe și frigider. *Există un risc crescut de electrocutare atunci când corpul vă este legat la pământ.*
- Feriiți mașina de ploaie sau umezeală. *Pătrunderea apei într-o sculă electrică mărește riscul de electrocutare.*
- Nu schimbați destinația cablului, folosindu-l pentru transportarea sau suspendarea mașinii ori pentru a trage ștecherul afară din priză. Feriiți cablul de caldură, ulei, muchi ascuțiți sau componente aflate în mișcare. *Cablurile deteriorate sau încurcate măresc riscul de electrocutare.*
- Atunci când lucrați cu o sculă electrică în aer liber, folosiți numai cabluri prelungitoare admise și pentru mediul exterior. *Folosirea unui cablu prelungitor adecvat pentru mediul exterior diminuează riscul de electrocutare.*
- Atunci când nu poate fi evitată utilizarea sculei electrice în mediu umed, folosiți un întrerupător de circuit cu împământare. *Folosirea unui întrerupător de circuit cu împământare reduce riscul de electrocutare.*

SIGURANȚA PERSOANELOR

- Fiiți atenți, aveți grijă de ceea ce faceți și procedați rațional atunci când lucrați cu o sculă electrică. Nu folosiți mașina când sunteți obosiți sau vă aflați sub influența drogurilor, a alcoolului sau a medicamentelor. *Un moment de neatenție în timpul utilizării mașinii poate duce la răniiri grave.*
-  Purtați echipament personal de protecție și întotdeauna ochelari de protecție. *Purtarea echipamentului personal de protecție, ca masca pentru praf, încălțăminte de siguranță antiderapantă, scutul de protecție sau protecția auditivă, în funcție de tipul și utilizarea sculei electrice, diminuează riscul răniirilor.*
- Evitați o punere în funcțiune involuntară. Înainte de a introduce ștecherul în priză, asigurați-vă ca scula electrică este oprită. *Dacă atunci când transportați mașina țineți degetul pe întrerupător sau dacă porniți mașina înainte de a o racorda la rețeaua de curent, puteți provoca accidente.*
- Înainte de pornirea mașinii îndepărtați dispozitivele de reglare sau cheile fixe din aceasta. *Un dispozitiv sau o cheie lăsată într-o componentă de mașină care se rotește poate duce la răniiri.*
- Nu vă supraevaluați. *Adoptați o poziție stabilă și mențineți-vă întotdeauna echilibrul. Astfel veți putea controla mai bine mașina în situații neașteptate.*
- Purtați îmbrăcăminte adecvată. *Nu purtați îmbrăcăminte largă sau podobe. Feriiți părul, îmbrăcăminte și mânușile de piesele aflate în mișcare. Îmbrăcăminte largă, părul lung sau podobe pot fi prinse în piesele aflate în mișcare.*
- Dacă pot fi montate echipamente de aspirare și colectare a prafului, asigurați-vă ca acestea sunt racordate și folosite în mod corect. *Folosirea acestor echipamente diminuează poluarea cu praf.*
- Nu prelucrați materiale care conțin azbest** (azbestul este considerat a fi cancerigen).
- Luați măsuri de protecție dacă în timpul lucrului se pot produce pulberi nocive, inflamabile sau explozibile** (anumite pulberi sunt considerate a fi cancerigene); purtați o mască de protecție împotriva prafului și folosiți o instalație de aspirare a prafului/ așchiilor, în situația în care există posibilitatea racordării acesteia.

UTILIZAREA ȘI MANEVRAREA ATENTĂ A SCULELOR ELECTRICE

- Nu suprasolicitați mașina. Folosiți pentru executarea lucrării dv. scula electrică destinată aceluia scop. *Cu scula electrică potrivită lucrați mai bine și mai sigur în domeniul de putere indicat.*
- Nu folosiți scula electrică dacă aceasta are întrerupătorul defect. *O sculă electrică, care nu mai poate fi pornită sau oprită, este periculoasă și trebuie reparată.*
- Scoteați ștecherul afară din priză, înainte de a executa reglaje la mașină, a schimba accesoriul sau de a pune mașina la o parte. *Această măsură de prevedere împiedică pornirea involuntară a mașinii.*
- Păstrați sculele electrice nefolosite la loc inaccesibil copiilor. *Nu lăsați să lucreze cu mașina persoane care nu sunt familiarizate cu aceasta sau care nu au citit aceste instrucțiuni.*
- Întrețineți-vă mașina cu grijă. Controlați dacă componentele mobile ale mașinii funcționează impecabil și dacă nu se blochează, sau dacă există piese rupte sau deteriorate astfel încât să afecteze funcționarea mașinii. Înainte de utilizare dați la reparat piesele deteriorate. *Cauza multor accidente a fost întreținerea necorespunzătoare a sculelor electrice.*
- Mențineți bine ascuțiți și curate dispozitivele de tăiere. *Dispozitivele de tăiere întreținute cu grijă, cu tăișuri ascuțite se întepenesc în mai mică măsură și pot fi conduse mai ușor.*
- Folosiți scula electrică, accesoriile, dispozitivele de lucru etc. conform prezentelor instrucțiuni și în așa fel cum este prevăzut

pentru acest tip special de mașină. Țineți cont de condițiile de lucru și de activitatea care trebuie desfășurată. *Folosirea sculelor electrice în alt scop decât pentru utilizările prevăzute, poate duce la situații periculoase.*

SERVICE

- a. Încredințați mașina pentru reparare numai personalului de specialitate, calificat în acest scop, repararea făcându-se numai cu piese de schimb originale. *Astfel veți fi siguri că este menținută siguranța mașinii.*

INSTRUCȚIUNI DE SIGURANȚĂ PENTRU MAȘINI DE FREZAT

GENERALITĂȚI

- Această sculă nu trebuie să fie folosită de persoane sub 16 ani.
- Decuplați întotdeauna ștecherul de la sursa de alimentare înainte de a face o reglare sau o schimbare de accesoriu.

ACCESORII

- Folosiți numai accesoriile a căror turajie admisă este cel puțin egală cu turajia maximă la mers în gol a aparatului.
- Nu folosiți cuțite de freză defecte sau deformatate.
- Folosiți numai cuțite de freză ascuțite.
- Feriți accesoriile de impacturi, șocuri și unsoare.

ÎNAINTEA UTILIZĂRII

- Evitați daunele provocate de șuruburi, țiște și alte elemente din timpul lucrului; înălțurați aceste elemente înainte de a trece la acțiune.
- Asigurați-vă că unealta are contactul întrerupt atunci când o conectați la priză (aparatele 230 V și 240 V pot fi conectate la rețeaua de 220 V).
- Fixați piesa care urmează a fi prelucrată în cazul în care aceasta nu rămâne în poziție staționară sub propria greutate.
- Praful rezultat din materialele precum vopseaua care conține plumb, unele specii de lemn, minerale și metale poate fi periculos (contactul cu praful sau inhalarea acestuia poate provoca reacții alergice și/sau afecțiuni respiratorii operatorului sau persoanelor care stau în apropiere); purtați o mască de praf și lucrați cu un dispozitiv de extragere a prafului când poate fi conectat.
- Respectați reglementările naționale referitoare la aspirația prafului în funcție de materialele de lucru folosite.
- Asigurați-vă că sculă are contactul întrerupt atunci când o conectați la priză.

ÎN TIMPUL FUNCȚIONĂRII

- Feriți întotdeauna cordonul de părțile în mișcare ale sculei; orientați cordonul spre spate, la distanță de sculă.
- Nu folosiți mașina de frezat atunci când cordonul sau ansamblul de suport (= dispozitiv de protecție) prezintă defecțiuni; înlocuirea lor se va efectua de o persoană autorizată.
- Aveți grijă ca mâinile și degetele să nu fie în apropierea cuțitului de freză atunci când mașina este în funcțiune.
- În cazul unor defecțiuni electrice sau mecanice deconectați imediat instrumentul și scoateți șnurul din priză.
- În cazul în care cuțitul frezei este blocat lucru ce duce la apariția de șocuri în mașină, întrerupeți imediat contactul acesteia.
- În caz de întrerupere a curentului atunci când ștecherul este scos din priză în mod accidental, întrerupeți imediat contactul acesteia pentru a preveni pornirea necontrolată.
- Nu apăsați acula electrică astfel încât ea să se oprească.

MEDIU

ELIMINARE

Sculele electrice, accesoriile și ambalajele trebuie direcționate către o stație de revalorificare ecologică.

NUMAI PENTRU ȚĂRILE UE



Nu aruncați sculele electrice în gunoii menajeri! Conform Directivei Europene 2002/96/CE privind mașinile și aparatele electrice și electronice uzate și transpunerea acesteia în legislația națională, sculele electrice scoase din uz trebuie colectate separat și direcționate către o stație de revalorificare ecologică.

SFATURI PENTRU UTILIZARE

- Folosiți cuțite de freză adecvate/corespunzătoare.
- Pentru tăieturi paralele cu marginea suprafeței de prelucrare folosiți un dispozitiv de ghidare.
- Pentru realizarea de tăieturi paralele pe suprafața de prelucrare departe de margine:
 - fixați o bucată de lemn dreaptă pe suprafața de prelucrare cu ajutorul a două cleme.
 - conduceți mașina cu dispozitivul de suport de-a lungul marginii de lemn care acum funcționează drept dispozitiv de ghidare.
- Protejați-vă împotriva efectelor vibrațiilor prin întreținerea sculei și a accesoriilor sale, păstrând mâinile calde și organizând procesele de lucru.

ELEMENTE DE OPERARE

Vezi figura 1.

- A** Sculă rotativă dremel
- B** Buton de reglare a vitezei
- C** Cheie de montare & Zonă de stocare
- D** Mâner (pentru blocare se va roti)
- E** Zonă de stocare cheie cap de prindere (cheia nu este inclusă)
- F** Gradație pentru adâncime (unități englezești/metriche)
- G** Ghidaj muchii
- H** Ghidaj rază
- I** Buton de fixare tijă
- J** Mâner (fix)
- K** Șurub de ajustare, inferior
- L** Stop adâncime
- M** Șurub de ajustare, superior
- N** Buton de slăbire

ASAMBLARE

FIXAREA DISPOZITIVULUI ATAȘAT LA SCULĂ

DISPOZITIVUL ATAȘAT LA SCULELE ROTATIVE DREMEL MODELE 300, 395, 398, 400, 4000.

ATENȚIE Înaintea executării asamblării și a înlocuirii accesoriilor scoateți ștecherul din priză.

Prin astfel de măsuri preventive este evitată pornirea accidentală a sculei.

1. Scoateți capul de prindere și apoi scoateți capacul de protecție de pe scula rotativă (fig. 2). Capacul de protecție trebuie să fie pus, dacă nu se utilizează acest dispozitiv atașat. După scoaterea capacului de protecție remontați capul de prindere.

Vezi figura 2:

- A** Capacul de protecție

2. Introduceți scula în dispozitivul atașat cu butonul de fixare tijă înainte, precum se arată în imagine (fig. 3).
3. Înșurubați în sens antiorar piulița de fixare pe partea filetată a sculei rotative și apoi strângeți-o cu cheia fixă livrată împreună cu produsul.

Vezi figura 3:

- A Cheie fixă
- B Piuliță de fixare
- C Buton de fixare tijă

INSTRUCȚIUNI DE UTILIZARE

ATENȚIE: Acest dispozitiv atașat va modifica scula rotativă într-o rindea de adâncime cu care veți putea executa lucrări precum rindeluire, tăierea marginilor, canelare și tăieri circulare. Dispozitivul atașat vine echipat pentru rindeluire liberă sau cu cuțite demontabile. Curățarea și lubrifierea periodică a elementelor de ghidare va asigura o rindeluire ușoară. Blocați rindeaua de adâncime, iar pe partea superioară a elementelor de ghidare aplicați un strat uniform de lubrifiant (de exemplu vaselină, ulei de gătit).

⚠ ATENȚIE Acest dispozitiv atașat nu trebuie utilizat sub o masă de rindea sau de ferăstrău.

Specificațiile accesoriilor

Vezi figura 4A.

INTRODUCEREA CUȚITULUI DE RINDEA

Cuțitele de rindea sunt fixate în sculă cu ajutorul unui sistem de prindere. **Cuțitul poate fi fixat înainte sau după instalarea sculei rotative în dispozitivul atașat.**

1. Apăsați și țineți apăsat butonul de fixare a tijei în timp ce rotiți capul de prindere și tija. Continuați să rotiți capul de prindere și tija, până când sistemul de blocare se cuplează și tija este reținută (fig. 4).
2. Pentru slăbirea capului de prindere rotiți capul de prindere în sens antiorar, folosind cheia de la scula rotativă Dremel Rotary Tool.
3. Slăbiți butonul de fixare a tijei.
4. Pentru a asigura fixarea corespunzătoare a cuțitului de rindea și a minimaliza posibilitatea căderii acestuia, introduceți cuțitul cât mai mult în capul de prindere. Pentru a evita deteriorarea sau crăparea cuțitului, nu introduceți cuțitul de rindea atât de mult încât creștăturile cuțitului să atingă capul de prindere sau piulița capului de prindere.
NOTĂ: Niciodată nu așezați scula cu cuțitul în sus pe bancul sau suprafața de lucru. Scula trebuie așezată culcat pe bancul sau suprafața de lucru, eventual se impune retragerea cuțitului. Cuțitul proeminent poate cauza scula să sară.
5. Blocați din nou cu butonul de fixare a tijei și strângeți capul de prindere; mai întâi manual, apoi cu cheia, până când cuțitul este fixat foarte bine.

Vezi figura 4B:

- A Cheie cap de prindere
- B Bază
- C Cap de prindere
- D Buton de fixare tijă

AJUSTAREA ADÂNCIMII DE RINDELIURE

NOTĂ: Când executați tăieri adânci, mai ales tăieri la o distanță mai mare de marginea piesei de prelucrat, se recomandă mărirea progresivă a adâncimii prin executarea mai multor tăieri, deci să se evite executarea unei tăieri de o adâncime mare.

Limitatorul de adâncime poate fi ajustat pentru două adâncimi diferite.

1. Așezați scula rotativă Dremel și dispozitivul atașat pe piesa de prelucrat.
2. Rotiți în sus șurubul de ajustare superior și rotiți în jos șurubul de ajustare inferior, astfel ca mecanismul stop adâncime să se poată mișca liber (fig. 5).

Vezi figura 5:

- A Stop adâncime
- B Șurub de ajustare, superior
- C Șurub de ajustare, inferior

3. Slăbiți mânerul de blocare (fig. 6). Coborâți încet scula, până când cuțitul atinge piesa de prelucrat.

Vezi figura 6:

- A Mâner
- B Buton de slăbire

4. Strângeți mânerul de blocare pentru a bloca scula.
5. Apăsați și țineți butonul de eliberare astfel ca mecanismul stop adâncime să atingă baza rindelei.

Prima adâncime de rindeluire

6. Rotiți mecanismul stop adâncime în sus astfel ca măsura X să fie egală cu prima adâncime de rindeluire dorită (fig. 7).

NOTĂ: 1 rotație este egală cu .06" (1.5 mm)

Vezi figura 7:

- A Stop adâncime
- B Șurub de ajustare superior

7. Rotiți șurubul de ajustare superior în jos către cadrul rindelei.

A doua adâncime de rindeluire

8. Rotiți mecanismul stop adâncime în sus astfel ca măsura X să fie egală cu a doua adâncime de rindeluire dorită. Convingeți-vă că șurubul de ajustare superior nu se rotește împreună cu mecanismul stop adâncime, deci se ridică de pe cadrul rindelei (fig. 8).

Vezi figura 8:

- A Stop adâncime
- B Șurub de ajustare, inferior

9. Rotiți șurubul de ajustare inferior în sus către cadrul rindelei.

NOTĂ: Șurubul de ajustare superior trebuie să rămână nemișcat la strângerea șurubului de ajustare inferior.

10. Apăsați butonul de slăbire pentru a selecta prima sau a doua adâncime de rindeluire (fig. 9).

NOTĂ: Fixarea fiecărei adâncimi de rindeluire trebuie verificată prin executarea unei tăieturi de probă și, dacă e necesar, trebuie reajustată.

Vezi figura 9:

- A Buton de slăbire

După încheierea procesului de rindeluire slăbiți mânerul și fixați scula de rindeluit în poziție superioară.

ÎNAINȚAREA RINDELEI

Dacă controlarea rindelei se face greu, se încălzește, se rotește încet sau execută o tăiere imperfectă, sunt posibile următoarele cauze:

- Direcție greșită de înaintare – poate fi controlată greu.
- Înaintare prea rapidă – motorul este suprasolicitat.
- Cuțitul este tocit – motorul este suprasolicitat.

- Execută tăieturi prea largi la o singură trecere – motorul este suprasolicitat.
- Înaintearea prea înceată – din cauza frecării lasă urme de arsuri pe piesa de prelucrat.

Înainteți încet și constant (nu forțați). Pe parcurs veți afla cum se aude și se comportă rindeaua când lucrează cel mai bine.

Viteza de înaintare

Când rindelulți sau executați lucrări asemănătoare în lemn sau plastic, cea mai bună finisare se poate obține dacă adâncimea de tăiere și viteza de înaintare sunt astfel reglate încât motorul să funcționeze la turația maximă.

Înainteți rindeaua cu o viteză moderată. În cazul materialelor mai moi înaintarea trebuie să se facă la o viteză mai mare.

Rindeaua se poate opri dacă este folosită necorespunzător sau este suprasolicitată. Pentru a împiedica deteriorarea sculei, reduceți viteza de înaintare. Înaintea utilizării capul de prindere trebuie să fie strâns foarte bine. Pentru a executa tăierea dorită, întotdeauna folosiți cuțite de rindea cu lungimea de tăiere cea mai scurtă. Astfel veți minimaliza posibilitatea ieșirii cuțitului din canalul rindeluit, cât și vibrația acestuia.

Prelucrarea marginilor

La prelucrarea marginilor întotdeauna folosiți cuțite ghidate sau cu rulmenți. Partea inferioară a cuțitului nu dispune de muchii de tăiere. Cuțitele cu rulmenți de ghidare sunt prevăzute cu rulmenți cu bile pentru ghidarea cuțitului.

În timp ce lamele rotative execută tăierea, cuțitul ghidat alunecă de-a lungul muchiei, executând margini decorative. Marginea pe care alunecă cuțitul ghidat trebuie să fie perfect netedă, deoarece neregularitățile sunt transferate pe suprafața prelucrată.

Când rindelulți piese unde marginea acestora este granulară, întotdeauna rindelulți marginea granulară înaintea rindeluirii marginilor ce urmează după structura granulară. Astfel minimalizați posibilitatea deteriorării piesei prin ruperea granulelor.

Diracția înaintării rindelei

Dacă este privită de sus, fusul rindelei se rotește în sens orar. Pentru un cel mai bun control și o cea mai bună calitate, înainteți cu scula în piesa de prelucrat în direcția în care cuțitul are tendința de a pătrunde singur în lemn. Din cauza direcției de înaintare incorecte cuțitul are tendința de a ieși din bucata de lemn.

Înainteți cu scula în direcția prezentată aici. Dacă executați tăiere în jurul marginii unei piese pătrate, deplasați scula în direcție antiorară. Dacă rindelulți suprafețe interioare precum se prezintă în imagine, deplasați scula în direcție orară (fig. 10).

NOTĂ: Direcția de înaintare este foarte importantă când folosiți cuțit ghidat pe marginea unei piese de prelucrat.

Vezi figura 10:

- A Direcția înaintării rindelei
- B Mai întâi marginea granulară
- C rotația cuțitului

ASAMBLAREA GHIDAJULUI DE MUCHII

Pentru folosirea ghidajului de muchii, montați tije de ghidare în ansamblul port-sculă și apoi fixați-le folosind (2) #10-24 piulițe pătrate și (2) butoane de ghidare tijă (fig. 11).

Piulița pătrată va intra în locașul aflat deasupra tijelor de ghidare. Butoanele de ghidare tijă se introduc de la vârf prin orificii și piulițe, până la tije. Fixați ghidajul de muchii la tije de ghidare folosind butoane de ghidare tijă și șuruburi cu cap hexagonal.

Localizați șuruburile cu cap hexagonal aflate sub ghidajul de muchii și fixați cu butonul de ghidare tijă pe suprafața superioară a ghidajului de muchii. Împingeți ghidajul de muchii pe tije de ghidare, precum se arată în figură. Reglați ghidajul de muchii la o distanță dorită față de scula de tăiat și strângeți butoanele ghidajului de muchii. (Vezi fig. 11)

Ghidajul de muchii se folosește pentru prelucrarea marginilor, tăierii canelurilor, prelucrării piedestalurilor, executării creștăturilor, a șanțurilor, a scobiturilor și a muchiilor teșite. Înainteți astfel ca scula să tragă ghidajul de muchii către bucata de lemn. O viteză constantă asigură o tăiere netedă.

În general se vor executa mai multe tăieturi supreficiale, dacă este nevoie de tăierea unui șanț adânc. Adâncimea maximă de tăiere depinde de materialul folosit. Nu înainteți cu o viteză excesivă la care motorul este încetinit simțitor.

Vezi figura 11:

- A Șurub de ajustare a înălțimii
- B Buton ghidaj de muchii
- C Piulițe pătrate
- D Tije de ghidare
- E Ghidaj muchii
- F Cui
- G Ghidaj rază
- H Piulițe cu cap hexagonal
- I Buton ghidaj muchii

GHIDAJ MUCHII

Montare

1. Montați ghidajul de muchii la blocurile de montare ai rindelei de adâncime (fig. 12).

Vezi figura 12:

- A Blocurile de montare
- B Ghidaj muchii

2. Așezați ghidajul paralel pe suprafața de lucru, cu cuțitul în poziția dorită.
3. Strângeți șuruburile cu cap zimțuit.

Rindeluire cu ghidaj muchii

Glisați partea plată a ghidajului muchii de-a lungul suprafeței de lucru.

GHIDAJ RAZĂ

Arcuri de rindeluire și raze

1. Scoateți ghidajul muchii și atașați la tije de ghidare consola ghidajului rază (fig. 13).

Vezi figura 13:

- A Cui
 - B Ghidaj muchii
2. Folosiți cuiul ca vârf de compas. Reglați ghidajul rază pentru raza dorită.
 3. Treceți cuiul prin orificiul ghidajului și apoi fixați cuiul în centrul razei pe care doriți s-o tăiați.

ȘABLOANE

Folosind șabloane, de fiecare dată puteți reproduce exact formele sau literele deja executate. Această tehnică necesită folosirea unei bucușe de ghidare.

BUCȘA DE GHIDARE

Bucușa de ghidare prezentată (fig. 14) în principiu este o placă cu un guler introdusă în orificiul bazei, care se fixează prin înșurubarea țigii pe bucușa de ghidare. Bucușa de ghidare alunecă de-a lungul marginii șablonului, în timp ce cuțitul ce iese în partea de jos taie materialul de prelucrat.

Vezi figura 14:

- A Fișa bucușei
- B Bucșă de ghidare
- C Bază

ATENȚIE: Aveți grijă ca grosimea șablonului să fie la fel sau mai mare decât lungimea bucușei ce iese sub bază.

Nu folosiți un cuțit care poate atinge interiorul gulerului. Selectați un cuțit care are un diametru mai mic cu cel puțin 2 mm. De asemenea, șabloanele speciale se execută ușor pentru tăierea unor modele repetate, a schemelor speciale, a incrustațiilor și a altor aplicații. Un model poate fi executat din placaj, placă dură, metal sau chiar plastic, iar modelul poate fi tăiat cu rindeaua, ferăstrău sau altă sculă de tăiere potrivită.

Nu uitați că modelul trebuie astfel executat încât să compenseze distanța dintre cuțitul rindelei și bucușa de ghidare ("deviație"), deoarece piesa prelucrată va diferi în mărime față de modelul șablonului cu exact distanța respectivă, din cauza poziției cuțitului (fig. 15).

Vezi figura 15:

- A Cuțit rindea
- B Cap de prindere
- C Bucșă de ghidare
- D Bază
- E Model șablon
- F Piesă de prelucrat
- G Deplasare

RINDELIURE LIBERĂ

Prin tehnica rindeluirii libere se pot executa multe efecte folosind un cuțit cu un diametru mai mic. De obicei meșteșugarii mai întâi desenează pe piesa de prelucrat modelul dorit, și apoi folosesc liniile desenului ca mijloc de ghidare.

SERVICE ȘI GARANȚIE

Acest produs DREMEL este garantat în conformitate cu prevederile legale/specifice țării; deteriorările datorite uzurii normale, supraîncălzirii sau mănuirii necorespunzătoare sunt excluse din garanție.

În cazul unei reclamații, trimiteți șula furnizorului dumneavoastră nedemontată împreună cu dovada achiziției.

CONTACTAȚI DREMEL

Pentru informații suplimentare despre sortimentul Dremel, pentru suport și asistență, vizitați www.dremel.com

Dremel Europe, P.O. Box 3267, 4800 DG Breda, Olanda

RUS ОБЩИЕ ПРАВИЛА ТЕХНИКИ БЕЗОПАСНОСТИ



ВНИМАНИЕ

ПРОЧИТЕ ВСЕ ИНСТРУКЦИИ.

Ошибки, допущенные при выполнении приведенных ниже инструкций, могут вызвать поражение электрическим током, пожар и/или привести к тяжелым травмам. Использованное ниже понятие «электроинструмент» распространяется на электроинструмент с питанием от сети (с кабелем питания от электросети).

СОХРАНИТЕ ДАННУЮ ИНСТРУКЦИЮ

РАБОЧЕЕ МЕСТО

- a. Рабочее место следует содержать в чистоте и порядке. *Беспорядок на рабочем месте и его плохое освещение могут привести к несчастным случаям.*
- b. Запрещается пользоваться электроинструментами во взрывоопасной среде, в которой находятся воспламеняющиеся жидкости, газы или пыль. *Электроинструменты искрят, что может привести к воспламенению пыли или паров.*
- c. При работе с электроинструментом не подпускайте близко детей и посторонних лиц. *При отвлечении во время работы можно потерять контроль над инструментом.*

ЭЛЕКТРОБЕЗОПАСНОСТЬ

- a. Штепсельная вилка электроинструмента должна подходить к штепсельной розетке. Ни в коем случае не изменять штепсельную вилку. Запрещается применять адаптеры для штепсельных вилок электроинструментов с защитным заземлением. *Неизмененные штепсельные вилки и подходящие штепсельные розетки снижают риск поражения электротоком.*
- b. Предотвращайте телесный контакт с заземленными поверхностями, как например, трубами, элементами отопления, кухонными плитами и холодильниками. *При заземлении Вашего тела повышается риск поражения электротоком.*
- c. Защищайте электроинструмент от дождя и сырости. *При попадании воды в электроинструмент повышается риск поражения электрическим током.*
- d. Не допускается использовать электрокабель не по назначению, например, для ношения или подвески электроинструмента или для вытягивания вилки из штепсельной розетки. *Защищайте кабель от воздействия высоких температур, масла, острых кромок или подвижных частей электроинструмента. Поврежденный или сплестнутый кабель повышает риск поражения электрическим током.*
- e. При работе с электроинструментом вне помещений используйте кабели-удлинители, подходящие для работы на открытом воздухе. *Использование кабеля, подходящего для работы на открытом воздухе, снижает риск поражения электрическим током.*
- f. Если невозможно избежать применения электроинструмента в сыром помещении, то устанавливайте устройство защиты от утечки в землю. *Использование устройства защиты от утечки в землю снижает риск электрического поражения.*

БЕЗОПАСНОСТЬ ЛЮДЕЙ

- a. Будьте внимательными, следите за тем, что Вы делаете и продуманно начинайте работу с электроинструментом. Не работайте с электроинструментом в усталом состоянии или, если Вы находитесь под влиянием наркотиков, спиртных напитков или лекарств. *Одно мгновение невнимательности при работе с электроинструментом может привести к серьезным травмам.*
- b.  Используйте средства индивидуальной защиты. Всегда надевайте защитные очки. *Средства индивидуальной защиты, как то противольщевые респираторы, нескользящая защитная обувь, защитный шлем или средства защиты органов слуха, в зависимости от работы и применяемого электроинструмента, снижают риск получения травм.*
- c. Предотвращайте непроизвольное включение электроинструмента. Перед тем как вставить вилку в штепсельную розетку убедитесь, что электроинструмент находится в выключенном состоянии. *Если Вы при*

- транспорте электроинструмента держите палец на выключателе или включенный электроинструмент подключаете к сети питания, то это может привести к несчастному случаю.
- d. Убирайте инструмент для настройки и гаечные ключи до включения электроинструмента. Инструмент или ключ, находящийся во вращающейся части электроинструмента, может привести к травмам.
- e. Не переоценивайте свои силы. Всегда занимайте устойчивое положение и держите равновесие. Благодаря этому Вы можете лучше контролировать электроинструмент в неожиданных ситуациях.
- f. Надевайте подходящую одежду. Не носите широкую одежду и украшения. Держите волосы, одежду и перчатки на расстоянии от движущихся частей. Широкая одежда, длинные волосы или украшения могут быть затянуты вращающимися частями электроинструмента.
- g. При наличии возможности установки пылеотсасывающих и пылесборных устройств проверьте их присоединение и правильное использование. Использование этих устройств снижает опасность воздействия пыли.
- h. **Не обрабатывайте материалы с содержанием асбеста** (асбест считается канцерогеном).
- i. **Примите меры защиты, если во время работы возможно возникновение вредной для здоровья, горючей или взрывоопасной пыли** (некоторые виды пыли считаются канцерогенными); пользуйтесь противопылевым респиратором и применяйте отсос пыли/стружки при наличии возможности присоединения.

ЭКСПЛУАТАЦИЯ ЭЛЕКТРОИНСТРУМЕНТА И УХОД ЗА НИМ

- a. Не перегружайте электроинструмент. Используйте для Вашей работы предназначенный для этого электроинструмент. С подходящим электроинструментом Вы работаете лучше и надежнее в указанном диапазоне мощности.
- b. Не работайте с электроинструментом с неисправным выключателем. Электроинструмент, который не поддается включению или выключению, опасен и должен быть отремонтирован.
- c. До начала наладки электроинструмента, замены принадлежностей или прекращения работы отключайте штепсельную вилку от розетки сети. Эта мера предосторожности предотвращает случайное включение электроинструмента.
- d. Храните неиспользуемые электроинструменты недоступно для детей. Не разрешайте пользоваться электроинструментом лицам, которые незнакомы с ним или не читали настоящих инструкций. Электроинструменты опасны в руках неопытных лиц.
- e. Тщательно ухаживайте за электроинструментом. Проверьте безупречную функцию и ход подвижных частей электроинструмента, отсутствие поломок или повреждений, отрицательно влияющих на функцию электроинструмента. Поврежденные части должны быть отремонтированы до использования электроинструмента. Неудовлетворительное обслуживание электроинструментов является причиной большого числа несчастных случаев.
- f. Держите режущий инструмент заточенным и чистым. Правильно ухаживайте режущие инструменты с острыми режущими кромками реже заклиниваются и их легче вести.
- g. Применяйте электроинструмент, принадлежности, рабочий инструмент и т. д. в соответствии с настоящими инструкциями и так, как это предписано для специального типа инструмента. Учитывайте при этом рабочие условия и выполняемую работу. Использование электроинструментов для непредусмотренных работ может привести к возникновению опасных ситуаций.

СЕРВИС

- a. Ремонт Вашего электроинструмента поручайте только квалифицированному персоналу и только с применением оригинальных запасных частей. Этим обеспечивается сохранность безопасности электроинструмента.

УКАЗАНИЯ ПО БЕЗОПАСНОСТИ ДЛЯ ФРЕЗЕРА

ОБЩЕЕ

- Инструмент нельзя использовать лицам в возрасте до 16 лет.
- Перед регулировкой или сменой принадлежностей обязательно выньте вилку из сетевой розетки.

НАСАДКИ

- Использовать только принадлежности, предельно допустимая скорость вращения которых не меньше, чем максимальная скорость вращения прибора на холостом ходу.
- Не используйте поврежденные или деформированные фрезы.
- Используйте только острые фрезы.
- Предохраняйте насадки от воздействия ударных нагрузок и попадания на них смазки.

ПЕРЕД ИСПОЛЬЗОВАНИЕМ

- Избегайте повреждений, которые могут быть вызваны винтами, гвоздями и прочими элементами, находящимися в обрабатываемом предмете; перед началом работы их нужно удалить.
- Обязательно убедитесь, что напряжение питания соответствует напряжению, указанному на фирменном штампе инструмента (инструменты, рассчитанные на напряжение 230 В или 240 В, можно подключать к питанию 220 В).
- Зажмите заготовку, если ее веса недостаточно для устойчивости.
- Пыль от таких материалов, как свинцовосодержащая краска, некоторые породы дерева, минералы и металлы, может быть вредна (контакт с такой пылью или ее вдыхание может стать причиной возникновения у оператора или находящихся рядом лиц аллергических реакций и/или респираторных заболеваний); надевайте респиратор и работайте с пылеудаляющим устройством при включении инструмента.
- Следуйте принятым в вашей стране требованиям/нормативам относительно пыли для тех материалов, с которыми вы собираетесь работать.
- Убедитесь в том, что инструмент выключен перед подключением его к розетке.

ВО ВРЕМЯ ИСПОЛЬЗОВАНИЯ

- Следите за тем, чтобы сетевой шнур не находился рядом с движущимися деталями инструмента; нужно всегда направлять электрический шнур к задней части инструмента, исключая его захват инструментом.
- Никогда не пользуйтесь инструментом, если провод или базовая плита (= защитная пластина) повреждена; обеспечьте их замену специалистом.
- Держите руки в стороне от фрезы, когда инструмент включен.
- В случае любой электрической или механической неисправности немедленно выключите инструмент и выньте вилку из розетки.
- Если фрезу заело, и инструмент работает толчками, немедленно выключите его.

- При прерывании питания или при случайном вытягивании вилки из разъёма немедленно, для предотвращения непреднамеренного пуска немедленно выключите инструмент.
- Не прилагайте на инструмент чрезмерного усилия, которое может вызвать его заклинивание.

ОКРУЖАЮЩАЯ СРЕДА

УТИЛИЗАЦИЯ

Отслужившие свой срок электроинструменты, принадлежности и упаковки следует сдавать на экологически чистую рециркуляцию отходов.

ТОЛЬКО ДЛЯ СТРАН-ЧЛЕНОВ ЕС



Не выбрасывайте электроинструменты в коммунальный мусор!!

Согласно Европейской Директиве 2002/96/ЕЭС о старых электрических и электронных инструментах и приборах, а также о претворении этой директивы в национальное право, отслужившие свой срок электроинструменты должны отдельно собираться и сдаваться на экологически чистую утилизацию.

СОВЕТЫ ПО ИСПОЛЬЗОВАНИЮ

- Используйте соответствующие фрезы.
- Для фрезерования параллельных канавок в боковой стороне изделия используйте направляющую планку.
- Для фрезерования параллельных канавок далеко от края изделия:
 - закрепите прямой отрезок дерева на изделии с помощью двух зажимов.
 - направляйте базовую плиту по краю обрезка, который служит направляющей планкой.
- Защищайте себя от воздействия вибрации, поддерживая инструмент и его вспомогательные приспособления в исправном состоянии, поддерживая руки в тепле, а также правильно организовав свой рабочий процесс.

УПРАВЛЕНИЕ

См. рис. 1:

- A** Привод вращения Dremel
- B** Регулировка скорости
- C** Монтажный ключ и область хранения
- D** Рукоятка (повернуть для фиксации)
- E** Область хранения ключа для гайки цанги (ключ не входит в комплект)
- F** Шкала глубины (английская/метрическая)
- G** Боковая направляющая
- H** Круговая направляющая
- I** Кнопка фиксации вала
- J** Рукоятка (стационарная)
- K** Регулировочная гайка, нижняя
- L** Ограничитель глубины
- M** Регулировочная гайка, верхняя
- N** Кнопка деблокировки

СБОРКА

СБОРКА ПРИВОДА ВРАЩЕНИЯ И ПРИСПОСОБЛЕНИЯ ДЛЯ ФРЕЗЕРНОГО СТАНКА

ПРИСПОСОБЛЕНИЕ ИСПОЛЬЗУЕТСЯ С МОДЕЛЯМИ ПРИВодОВ ВРАЩЕНИЯ 300, 395, 398, 400, 4000.

▲ ВНИМАНИЕ Отсоединить вилку от источника питания перед сборкой, регулировкой или заменой элементов. Такие меры предосторожности снижают риск случайного запуска инструмента.

1. Открутить гайку цанги, затем снять и отложить в сторону защитный колпачок привода вращения (См. рис. 2). Если приспособление не используется, защитный колпачок должен быть установлен на место. После снятия защитного колпачка закрутить гайку цанги.
2. Установить привод в приспособление для фрезерного станка, при этом кнопка фиксации вала должна находиться спереди, как показано на рис. 3.
3. Навернуть крепежную гайку на резьбовую часть привода вращения, вращая ее по часовой стрелке, и прочно затянуть ее с помощью монтажного ключа, поставляемого в комплект.

См. рис. 3:

- A** Монтажный ключ
- B** Крепежная гайка
- C** Кнопка фиксации вала

ИНСТРУКЦИИ ПО ЭКСПЛУАТАЦИИ

ВНИМАНИЕ: Данное приспособление позволяет использовать привод вращения в качестве фрезерного станка для ручной фрезеровки, отделки краев, выборки пазов и кольцевых разрезов. Приспособление для фрезерного станка поставляется в сборе для ручной фрезеровки или фрезеровки с помощью пилотного долота. Для сохранения плавности хода механизма подачи фрезы необходимо периодически очищать и смазывать направляющие стойки. Поднять механизм подачи фрезы и зафиксировать станок, затем равномерно нанести смазку низкой вязкости (например, технический вазелин, кулинарный жир) на верхнюю часть направляющих стоек.

▲ ВНИМАНИЕ Данное приспособление для фрезерного станка не предназначено для использования с фрезерным столом или столом отрезного станка.

Спецификация аксессуаров

См. рис. 4А.

УСТАНОВКА ФРЕЗЫ

Фрезы крепятся в приводе вращения с помощью цанги. **Фреза может быть закреплена до или после установки привода на приспособление для фрезерного станка.**

1. Нажать и удерживать кнопку фиксации вала, вращая гайку цанги и вал. Продолжать вращать гайку цанги и вал, пока замок не зафиксируется и не замкнет вал (рис. 4).
 2. С помощью ключа из комплекта привода вращения вращать гайку цанги против часовой стрелки, чтобы ослабить ее.
 3. Отжать кнопку фиксации вала.
 4. Вставить фрезу в цангу как можно глубже, чтобы обеспечить надежный захват и снизить возможность выхода фрезы из цанги. Не допускать соприкосновения желобов фрезы с цангой или гайкой цанги во избежание повреждения фрезы.
- ВНИМАНИЕ:** не устанавливать инструмент с выпирающей фрезой в основании на монтажный стол или рабочую поверхность. Положить инструмент на бок или снять фрезу перед установкой на монтажный стол или рабочую поверхность. Выпирающая фреза может стать причиной случайного движения инструмента.

- Нажать кнопку фиксации вала и затянуть гайку цанги; сначала вращать рукой, затем затянуть с помощью ключа, чтобы надежно зафиксировать фрезу.

См. рис. 4В:

- A** Ключ для гайки цанги
- B** Основание
- C** Гайка цанги
- D** Кнопка фиксации вала

РЕГУЛИРОВКА ГЛУБИНЫ ФРЕЗЕРОВКИ

ВНИМАНИЕ: при глубоких разрезах, особенно при фрезеровке ближе к центру заготовки, рекомендуется проделать несколько этапов неглубокого разрезания/фрезеровки, используя шкалу и регулировку глубины фрезеровки, а не один этап глубокого разрезания/фрезеровки.

Ограничитель глубины можно настроить на две глубины.

- Установить привод вращения Dremel и приспособление для фрезерного станка на заготовку.
- Поднять верхнюю регулировочную гайку и опустить нижнюю, чтобы ограничитель глубины мог свободно двигаться (рис. 5).

См. рис. 5:

- A** Ограничитель глубины
- B** Верхняя регулировочная гайка
- C** Нижняя регулировочная гайка

- Ослабить рукоятку фиксации (рис. 6). Медленно опустить инструмент, чтобы фреза слегка коснулась заготовки.

См. рис. 6:

- A** Рукоятка
- B** Кнопка деблокировки

- Затянуть рукоятку фиксации для закрепления инструмента.
- Нажать и удерживать кнопку деблокировки, чтобы ограничитель глубины коснулся основания фрезерного станка.

1-я глубина фрезеровки

- Поднять ограничитель глубины, чтобы расстояние X равнялось первой необходимой глубине фрезеровки (рис. 7).
ВНИМАНИЕ: 1 поворот равен 0,06" (1,5 мм)

См. рис. 7:

- A** Ограничитель глубины
- B** Верхняя регулировочная гайка

- Опустить верхнюю регулировочную гайку до рамы фрезерного станка.

2-я глубина фрезеровки

- Поднять ограничитель глубины, чтобы расстояние X равнялось второй необходимой глубине фрезеровки. Убедиться, что верхняя регулировочная гайка вращается вместе с ограничителем глубины и ее можно поднять над рамой (рис. 8).

См. рис. 8:

- A** Ограничитель глубины
- B** Нижняя регулировочная гайка

- Поднять нижнюю регулировочную гайку до рамы фрезерного станка.

ВНИМАНИЕ: верхняя регулировочная гайка должна быть неподвижной при затягивании нижней регулировочной гайки.

- Нажать кнопку деблокировки, чтобы выбрать 1-ю или 2-ю глубину фрезеровки (рис. 9).

ВНИМАНИЕ: проверить регулировку каждой глубины фрезеровки, выполнив пробный проход, и при необходимости отрегулировать заново.

См. рис. 9:

- A** Кнопка деблокировки

По окончании фрезеровки ослабить рукоятку фиксации и поднять станок в верхнее положение.

ПОДАЧА ФРЕЗЫ

Если станком трудно управлять, станок нагревается, работает медленно или качество фрезеровки неудовлетворительное, проверить наличие следующих причин:

- Неверное направление вращения – трудно управлять.
- Чрезмерная подача – перегрузка мотора.
- Затулленная фреза – перегрузка мотора.
- Чрезмерная фрезеровка при одной подаче – перегрузка мотора.
- Недостаточная подача – на заготовке остаются выжженные при трении следы.

Подавать фрезу плавно и монотонно (не давить слишком сильно). Вскоре вы поймете, какую силу необходимо прикладывать для достижения наилучших результатов и какой при этом звук издает фрезерный станок.

Сила подачи фрезы

При фрезеровке или выполнении других работ с деревом или пластиком достигаются наилучшие результаты, если глубина фрезеровки и сила подачи фрезы регулируются таким образом, чтобы мотор работал на высокой скорости.

Подавать фрезу умеренно. Мягкие материалы требуют большей силы подачи, чем твердые материалы.

При неправильном использовании или перегрузке фрезерный станок может перестать работать. Уменьшить силу подачи во избежание повреждения инструмента. Перед использованием убедиться, что гайка цанги надежно затянута. Использовать фрезы с наименьшей длиной, необходимой для конкретной обработки. Это позволяет снизить вибрации и вероятность выхода фрезы из цанги.

Обработка краев

При обработке краев использовать пилотное долото или долото с опорой скольжения. Нижняя часть пилотного долота не содержит режущей кромки. Долото с опорой скольжения содержит шарикоподшипник для управления фрезой.

Направляющая часть скользит по краям, а вращающиеся лезвия делают разрез, создавая декоративные края. Край, по которому скользит направляющая часть, должен быть идеально гладким, так как любые неровности влияют на гладкость поверхности.

При работе с заготовкой, требующей обработки торцевых краев, сначала обработать торцевые края, а затем примыкающие края. Таким образом, снижается вероятность повреждения из-за разрывов на торце.

Направление подачи фрезы

Шпиндель станка вращается по часовой стрелке, если смотреть сверху. Для наилучшего управления фрезой и наилучшего качества разреза подавать фрезу так, чтобы фреза могла войти в дерево. Неверное направление подачи может привести к скольжению фрезы по поверхности дерева.

Подавать фрезу в указанном здесь направлении. При обработке краев квадратной заготовки двигать фрезу против часовой стрелки. При обработке внутренних поверхностей двигать фрезу по часовой стрелке, как указано на рис. 10.

ВНИМАНИЕ: Направление подачи фрезы особенно важно при использовании пилотного долота вручную для обработки краев заготовки.

См. рис. 10:

- A** Направление подачи фрезы
- B** Сначала обрабатывать торцы
- C** Вращение фрезы

СБОРКА БОКОВОЙ НАПРАВЛЯЮЩЕЙ

Для использования боковой направляющей вставить стержни в приспособление для фрезерного станка и закрепить с помощью 2 #10-24 квадратных гаек и 2 винтов для стержней (рис. 11). Квадратные гайки вставляются в отверстия над стержнями. Винты для стержней устанавливаются в отверстия сверху, проходят через стержни и вкручиваются в гайки. Закрепить стержни в боковой направляющей с помощью винтов боковой направляющей и шестигранных гаек.

Установить шестигранные гайки под боковой направляющей, вставить в верхнюю часть боковой направляющей винты боковой направляющей и вкрутить их в гайки. Передвигать боковую направляющую по стержням как указано. Установить боковую направляющую на необходимом расстоянии от фрезы и затянуть винты боковой направляющей. (См. рис. 11)

Боковая направляющая используется для обработки краев, вырезания фальцев, пазов, гнезд под шпиль, шпилей, желобов, прорезей и снятия фасок. Подавать фрезу так, чтобы боковая направляющая двигалась поперек заготовки. При соответствующей подаче фрезы достигается плавный разрез.

При необходимости выреза глубокого паза обычно требуется несколько неглубоких вырезов. Максимальная глубина выреза зависит от используемого материала заготовки. Не подавать фрезу слишком сильно, чтобы не замедлять работу мотора.

См. рис. 11:

- A** Винт регулировки глубины
- B** Винт для стержня
- C** Квадратные гайки
- D** Направляющие стержни
- E** Боковая направляющая
- F** Отбойный гвоздь
- G** Круговая направляющая
- H** Шестигранные гайки
- I** Винт боковой направляющей

БОКОВАЯ НАПРАВЛЯЮЩАЯ

Установка

1. Установить боковую направляющую в крепежные блоки фрезерного станка (рис. 12).

См. рис. 12:

- A** Крепежные блоки
- B** Боковая направляющая

2. Установить параллельную направляющую в желаемое положение напротив рабочей поверхности и фрезы.
3. Затянуть барашковые винты.

Фрезеровка с использованием боковой направляющей

Передвигать плоскую часть боковой направляющей вдоль рабочей поверхности.

КРУГОВАЯ НАПРАВЛЯЮЩАЯ

Фрезеровка дуг и окружностей

1. Снять боковую направляющую и вставить направляющие стержни в кронштейны круговой направляющей (рис. 13).

См. рис. 13:

- A** Отбойный гвоздь
- B** Боковая направляющая

2. Использовать отбойный гвоздь в качестве центра окружности. Установить необходимый радиус с помощью круговой направляющей.
3. Вставить гвоздь в отверстие направляющей. Он является центром вырезаемой окружности.

ШАБЛОНЫ

Использование шаблонов позволяет дублировать изделия и их элементы. Данная технология предусматривает использование направляющей втулки.

НАПРАВЛЯЮЩИЕ ВТУЛКИ

Направляющая втулка, показанная на рис. 14, представляет собой пластину с кольцевым выступом, которая вставляется в отверстие в основании и закрепляется с помощью крышки, которая закручивается сверху. Направляющая втулка скользит по краю шаблона, фреза проходит через нее и продлевает разрезы в заготовке по шаблону.

См. рис. 14:

- A** Крышка
- B** Направляющая втулка
- C** Основание

ВНИМАНИЕ: Убедиться, что толщина шаблона равна толщине выпирающей снизу основания части втулки или больше нее. Не использовать фрезу, которая может касаться внутренней части кольцевого выступа. Выбрать фрезу, толщина которой минимум на 2 мм меньше толщины внутреннего диаметра кольцевого выступа. Легко можно изготовить специальные шаблоны для вырезания повторяющихся контуров, особых изделий, мозаик и для других областей применения. Шаблон можно изготовить из многослойной фанеры, ДВП, металла и даже пластика. Изделие можно вырезать с помощью фрезы, электрического лобзика или другого подходящего инструмента.

Шаблон должен иметь запас, чтобы компенсировать расстояние между фрезой и направляющей втулкой. Конечная заготовка отличается от шаблона по размеру. Разницу составляет указанное расстояние (рис. 15).

См. рис. 15:

- A** Фреза
- B** Гайка цанги
- C** Направляющая втулка
- D** Основание
- E** Шаблон
- F** Заготовка
- G** Разница

ФРЕЗЕРОВКА ВРУЧНУЮ

При фрезеровке вручную с помощью фрезы малого диаметра можно достичь различных эффектов. Обычно оператор отмечает карандашом края необходимого изделия на заготовке и использует отмеченную линию в качестве направляющей.

СЕРВИС И ГАРАНТИЙНОЕ ОБСЛУЖИВАНИЕ

Гарантийное обслуживание продукции компании DREMEL осуществляется в соответствии с действующими местными правовыми нормами. Гарантия не распространяется на детали, подверженные естественному износу. В случае использования инструмента не по назначению гарантия теряет силу.

Для рекламации отправляйте инструмент в сборе Вашему дилеру, приложив чек, удостоверяющий покупку.

КОНТАКТЫ С DREMEL

Дополнительная информация об ассортименте продукции Dremel, поддержка пользователей и горячая линия находятся на сайте www.dremel.com

Dremel Europe, P.O. Box 3267, 4800 DG Breda, the Netherlands

ÜLDISED OHUTUSJUHISED



ETTEVAATUST LUGEGE LÄBI KÕIK JUHISED.

Järgnevate ohutusnõuete eiramise tagajärjeks võib olla elektrilöökk, tulekahju ja/või rasked vigastused. Alpool kasutatud mõiste "elektriline tööriist" käib võrgutoitega (toitejuhtmega) elektriliste tööriistade kohta.

HOIDKE KÕIK JUHISED HOOLIKALT ALLES


TÖÖPIIRKOND

- Hoidke tööpiirkond puhas ja korras. Tööpiirkonnas valitsev segadus ja hämarus võib põhjustada õnnetusi.
- Ärge kasutage seadet plahvatusohtlikus keskkonnas, kus leidub tuleohtlikke vedelikke, gaase või tolmu. Elektrilistest tööriistadest lööb sädemid, mis võivad tolmu või auru süüdata.
- Elektrilise tööriista kasutamise ajal hoidke lapsed ja teised isikud tööpiirkonnast eemal. Kui Teie tähelepanu juhitakse kõrvale, võib seade Teie kontrolli alt väljuda.

ELEKTROOHUTUS

- Seadme pistik peab pistikupesasse sobima. Pistikut ei tohi mingil viisil muuta. Ärge kasutage kaitsemaandusega seadmete puhul adapterpistikuid. Muutmata pistikud ja sobivad pistikupesad vähendavad elektrilöögi ohtu.
- Vältige kehakontakti maandatud pindadega, näiteks torude, radiaatorite, pliitide ja külmikutega. Kui Teie keha on maandatud, on elektrilöögi oht suurem.
- Hoidke seadet vihma ja niiskuse eest. Elektriseadmesse sattunud vesi suurendab elektrilöögi ohtu.
- Kasutage toitejuhet üksnes nõuetekohaselt. Ärge kasutage toitejuhet seadme kandmiseks, ülesriputamiseks ega pistiku pistikupesast väljätõmbamiseks. Hoidke toitejuhet kuumuse, õli, teravate servade ja seadme liikuvate osade eest. Kahjustatud või keerduläänud toitejuhe suurendab elektrilöögi ohtu.
- Kui töötate elektrilise tööriistaga välistingimustes, kasutage ainult selliseid pikendusjuhtmeid, mis on ette nähtud kasutamiseks ka välistingimustes. Välistingimustes kasutamiseks sobiv pikendusjuhe vähendab elektrilöögi ohtu.
- Kui elektrilise tööriista kasutamine niiskes keskkonnas on vältimatu, kasutage maandusega lekkevoolukaitses. Maandusega lekkevoolukaitsme kasutamine vähendab elektrilöögi ohtu.

INIMESTE OHUTUS

- Olge tähelepanelik, jälgige oma tegevust ning tegutsege elektrilise tööriistaga töötades kaalutletult. Ärge kasutage seadet, kui olete väsinud või uimasite, alkoholi või ravimite mõju all. Hetkeline tähelepanematus seadme kasutamisel võib põhjustada raskeid vigastusi.
-  Kasutage isikukaitsevahendeid. Kandke alati kaitseprille. Sobivate isikukaitsevahendite, näiteks tolmumaski, libisemiskindlate turvajalatsite, kaitsekiivri või kuulmiskaitsevahendite kasutamine vähendab vigastuste ohtu.
- Vältige seadme tahtmatut käivitamist. Enne pistiku pistikupesasse ühendamist veenduge, et lüliti on väljalülitatud asendis. Kui hoiate seadme kandmisel sõrme lüliti või ühendate vooluvõrku sisselülitatud seadme, võib see põhjustada õnnetusi.
- Enne seadme sisselülitamist eemaldage selle küljest reguleerimis- ja mutrivõtmed. Seadme pöörleva osa küljes olev reguleerimis- või mutrivõti võib põhjustada vigastusi.
- Ärge hinnake end üle. Võtke stabiilne toosend ja hoidke kogu aeg tasakaalu. Nii saate seadet ootamatutes olukordades paremini kontrollida.
- Kandke sobivat rõivastust. Ärge kandke laiu riideid ega ehteid. Hoidke juukseid, rõivad ja kindad seadme liikuvatest osadest eemal. Lotendavad riided, ehted või pikad juukseid võivad sattuda seadme liikuvate osade vahele.
- Kui on võimalik paigaldada tolmueemaldus- ja tolmukogumisseadiseid/seadmeid, veenduge, et need on seadmega ühendatud ja et neid kasutatakse õigesti. Nende seadiste/seadmete kasutamine vähendab tolmust põhjustatud ohte.
- Ärge töödelge asbesti sisaldavat materjali (asbest võib tekitada vähki).
- Rakendage kaitseabinõusid, kui töötamisel võib tekkida tervistkahjustavat, süttimis- või plahvatusohtlikku tolmu (teatud liiki tolm võib tekitada vähki); kandke tolmukaitsesemski ja võimaluse korral ühendage seade tolmuiimejaga.

EST

ELEKTRILISTE TÖÖRIISTADE KÄSITSEMINE JA HOOLDAMINE

- Ärge koormake seadet üle. Kasutage töö tegemiseks selleks ettenähtud elektrilist tööriista. Sobiva elektrilise tööriistaga töötate ettenähtud jõudlusiirides tõhusamalt ja ohutumat.
- Ärge kasutage elektrilist tööriista, mille lüliti on rikkis. Elektriline tööriist, mida ei saa enam lülitist sisse ja välja lülitada, on ohtlik ning tuleb toimetada parandusse.
- Enne seadme reguleerimist, tarvikute vahetamist ja seadme ärapanemist tõmmake seadme toitepistik pistikupesast välja. See ettevaatusabinõu väldib seadme tahtmatut käivitamist.
- Kasutusviisil ajal hoidke elektrilisi tööriistu lastele kättesaamatus kohas. Ärge lubage seadet kasutada isikutel, kes ei ole kursis seadme töö põhimõttega ega ole tutvunud käesolevate juhistega. Asjatundmatute kasutajate käes on elektrilised tööriistad ohtlikud.
- Hooldage seadet korralikult. Veenduge, et seadme liikuvad osad töötavad korralikult ega kiildu kinni ja et seadme osad ei ole katki või kahjustatud määral, mis võiks mõjutada seadme veatut tööd. Laske kahjustatud osad enne seadme kasutamist parandada. Elektriliste tööriistade ebapiisav hooldus on paljude õnnetuste põhjuseks.
- Hoidke lõiketarvikud teravad ja puhtad. Hästi hooldatud, teravate lõikeservadega lõiketarvikud kiilduvad harvemini kinni ja neid on lihtsam juhtida.
- Kasutage elektrilist tööriista, lisavarustust, tarvikuid jmt vastavalt siintoodud juhistele ning nii, nagu konkreetse mudeli jaoks ette nähtud. Arvestage seejuures töötingimuste ja teostatava töö iseloomuga. Elektriliste tööriistade nõuetevastane kasutamine võib põhjustada ohtlikke olukordi.

TEENINDUS

- a. Laske seadet parandada ainult kvalifitseeritud spetsialistidel, kes kasutavad originaalvaruosi. *Nii tagate seadme pideva ohutu töö.*

OHUTUSJUHISE ÜLAFRESIDE KOHTA

ÜLDIST

- Antud tööriista kasutaja peab olema vähemalt 16 aastat vana.
- Enne seadme reguleerimist või tarviku vahetust eemaldage seade vooluvõrgust (tõmmake pistik pistikupesast välja).

TARVIKUD

- Kasutage vaid neid tarvikuid, mille lubatud pöörete arv on vähemalt sama suur nagu maksimaalsed tühikäigupöörded.
- Ärge kasutage rebenenud ega deformeerunud freesiterasid.
- Kasutage ainult teravaid freesipäid.
- Kaitske tarvikuid löökide, põrutuste ja määrdeainete eest.

ENNE KASUTAMIST

- Vältige töödeldavas esemes olevatest kruvidest, naeltest vms põhjustatud kahjustusi; eemaldage need enne töö alustamist.
- Kontrollige, et võrgupinge vastaks tööriista andmesildile märgitud pingele (andmesildil lubatud 230 V või 240 V seadmeid võib kasutada ka 220 V pinge korral).
- Kui tooriku omakaal ei taga tooriku stabiilset asetsemist, kinnitage toorik kinnitusvahendite abil.
- Värviga kaetud juhtmed, mõned puiduliigid, mineraalid ja metall eraldavad tolmu, mis võib olla kahjulik (kokkupuude tolmuuga või selle sissehingamine võib seadme kasutajal või läheduses viibival inimesel põhjustada allergilisi reaktsioone ja/või hingamisteede haigusi); kandke tolumumaski ja töötage vajadusel ühendatava tolmuemaldussedmega.
- Erinevate materjalide töötlemisel tekkiva tolmu suhtes tuleb järgida riigis kehtivaid nõudeid.
- Vooluvõrku ühendamisel veenduge, et tööriist on välja lülitatud.

KASUTAMISE AJAL

- Vältige toitejuhtme kokkupuutumist seadme pöörlevate osadega; hoidke toitejuhet alati tööriistast eemal, tagapool.
- Ärge kasutage seadet, kui toitejuhe või alustald (= kaitseseadis) on vigastatud; laske see parandada elektriala spetsialistil.
- Hoidke käed ja sõrmed seadme sisselülitamisel freesiterast eemal.
- Seadme elektrilise või mehhaanilise häire korral lülitage seade viivitamatult välja ja eemaldage pistik vooluvõrgust.
- Kui freesitera on kinni kiildunud ja see põhjustab seadme "viskumist", tuleb seade kohe välja lülitada.
- Voolukatkestuse korral või pistiku tahtmatul väljatõmbamisel pistikupesast, lülitage seade kohe välja, et vältida seadme kontrollimatut taaskäivitamist.
- Ärge suruge tööriistale nii tugevalt, et see seiskub.

KESKKOND

UTILISEERIMINE

Elektrilised tööriistad, lisatarvikud ja pakend tuleks keskkonnasäästlikult ringlusse võtta..

ÜKSNES ELI LIIKMESRIIKIDELE



Ärge käidelda elektrilisi tööriistu koos olmejäätmetega! Vastavalt Euroopa Parlamendi ja nõukogu direktiivile 2002/96/EÜ elektri- ja elektroonikaseadmete jäätmete

kohta ning selle ülevõtmisele liikmesriikide õigusesse tuleb kasutusressursi ammendanud elektrilised tööriistad eraldi kokku koguda ja keskkonnasäästlikult ringlusse võtta.

TÖÖJUHISE

- Kasutage sobivaid freesiterasid.
- Paralleelselt tooriku servaga teostatavate löigete puhul kasutage külgmist piirajat.
- Tooriku servast liiga kaugele jäävate paralleellöigete puhul:
 - monteeri ge kahe klemmkruvi abil toorikule massiivne puitklot.
 - juhtige seadet alustallaga piki puitkloti serva, puitkloti täidab nüüd külgmise piiraja ülesannet.
- Kaitske ennast vibratsiooni toime eest, hooldades tööriista ja selle tarvikuid, hoides oma käed soojad ja organiseerides hästi oma töövõtteid.

SEADME OSAD

Vt joonis 1:

- A** Dremeli minitrell
- B** Pöörete regulaator
- C** Kinnitusvõti ja hoidik
- D** Käepide (pööratav lukustamiseks)
- E** Tsangi mutrivõtme hoiukoht (võti ei sisaldu komplektis)
- F** Sügavusskaala (inglise/meetermöödustikus)
- G** Servajuhi
- H** Ringjuhi
- I** Võlli lukustusnupp
- J** Käepide (jäik)
- K** Reguleerimismutter, alumine
- L** Sügavuspiir
- M** Reguleerimismutter, ülemine
- N** Vabastusnupp

MONTEERIMINE

FREESIRAKISE PAIGALDAMINE TÖÖRIISTALE

RAKIS KASUTAMISEKS DREMELI MINITRELLIDE MUDELITEGA 300, 395, 398, 400, 4000.



ETTEVAATUST Ühendage pistik toiteallikast lahti, enne kui reguleerite tööriista või vahetate rakiseid.

Sellised ennetavad ettevaatusabinõud vähendavad tööriista juhusliku käivitumise ohtu.

1. Eemaldage minitrelliit tsangi mutter, seejärel korpuse kork ning asetage see kõrvale (joon. 2). Korpuse kork tuleb selle rakise mittekasutamisel tagasi paigaldada. Kui olete korpuse korgi eemaldanud, siis paigaldage tsangi mutter tagasi.

Vt joonis 2:

- A** Korpuse kork

2. Paigaldage tööriist freesirakisesse nii, et selle võlli lukustamise nupp on suunatud näidatud viisil ettepoole (joon. 3).
3. Keerake kinnitusmutter päripäeva minitrelli keermestatud osale ning pingutage seda kaasasoleva kinnitusvõtmeaga.

Vt joonis 3:

- A** Kinnitusvõti
- B** Kinnitusmutter
- C** Võlli lukustusnupp

KASUTUSJUHISED

TÄHELEPANU: See rakis muudab Dremeli minitrelli vaba käega juhtimist, servamist, soonte ning ringlõigete tegemist võimaldavaks ülafreesiks. Freesirakis tarnitakse koostatuna, valmis vaba käega või juhtlati abil freesimiseks. Juhikute perioodiline puhastamine ja määrimine säilitab uuristamise sujuvuse.. Vabastage ülafreesi surve ja lukustuse alt ning kandke juhikute ülemistele osadele ühtlaselt kergelt määrdeainet (nt vaseliini, toiduõli).

ETTEVAATUST See freesirakis ei ole mõeldud kasutamiseks frees- või saepingil.

Rakiste tehnilised andmed

Vt joonis 4A.

FREESITERA PAIGALDAMINE

Freesitera kinnitatakse seadme spindlisse tsangi abil. **Freesitera võib paigaldada enne või pärast minitrelli monteerimist rakisesse.**

1. Keerake tsangi mutrit ja vööli, hoides samal ajal all vööli lukustamise nuppu. Jätka tsangi mutri ja vööli pöörämist, kuni lukk rakendub ning hoiab vööli paigal (joon. 4).
2. Kasutage Dremeli minitrelli vööti ja keerake tsangi mutrit selle avamiseks vastupäeva.
3. Vabastage vööli lukustusnupp.
4. Sisestage freesisaba võimalikult sügavale tsangi, et tagada saba kindel lukustumine ja minimeerida kulumist. Tera kallutamise või mõrastamise vältimiseks ärge sisestage tera nii kaugele, et selle nuudid puutuvad kokku tsangi või tsangi mutriga.
MÄRKUS: Ärge kunagi asetage tööriista põhjast kaugemale ulatava freesiteraga pingile või tööpinna. Asetage tööriist selle küljele või tõmmake juhik enne pingile või tööalale toetamist tagasi. Väljaulatav lõikeosa võib põhjustada seadme hüppamise.
5. Rakendage taas vööli lukustusnupp ning pingutage tsangi mutrit; algul käsitsi, seejärel võtmega kuni detail on kindlalt paigas.

Vt joonis 4B:

- A Tsangi mutrivõti
- B Alus
- C Tsangi mutter
- D Vööli lukustusnupp

FREESIMISSÜGAVUSE REGULEERIMINE

MÄRKUS: Tehes sügavaid lõikeid, eriti freesides kaugel töödetaali servast, on soovitatav teha mitu järjestikust aina sügavamalt lõiget, mida reguleeritakse sügavuse reguleerimise ja sügavuskaala abil, selle asemel, et teha üks sügav lõige.

Sügavuspiirikut on võimalik reguleerida kahele sügavusele.

1. Asetage Dremeli minitrelli ja freesi tööriist töödeldavale detailile.
2. Keerake ülemist reguleerimismutrit ülespoole ja alumist reguleerimismutrit allapoole, et sügavuspiirik saaks vabalt liikuda (joon. 5).

Vt joonis 5:

- A Sügavuspiirik
- B Reguleerimismutter, ülemine
- C Reguleerimismutter, alumine

3. Keerake lukustuv käepide lödvemaks (joon. 6). Laske tööriista aeglaselt allapoole, kuni ülafreesi osa puutub napilt kokku töödeldava detaili pinnaga.

Vt joonis 6:

- A Käepide
- B Vabastusnupp

4. Pingutage lukustuvat käepidet, et tööriist paigale lukustada.
5. Hoidke vabastusnuppu all, et sügavuspiirik puudutaks freesi alust.

1. freesimissügavus

6. Keerake sügavuspiirikut ülespoole, et mõõde X oleks võrdne esimese soovitud freesimissügavusega (joon. 7). **MÄRKUS:** 1 pöörde on võrdne 1,5 mm-ga (.06")

Vt joonis 7:

- A Sügavuspiirik
- B Reguleerimismutter, ülemine

7. Keerake ülemine reguleerimismutter tihedalt alla vastu freesi raami.

2. freesimissügavus

8. Keerake sügavuspiirikut ülespoole, et mõõde X oleks võrdne teise soovitud freesimissügavusega. Veenduge, et ülemine reguleerimismutter pöörleks koos sügavuspiirikuga, tõstes seda freesi raamist eemale (joon. 8).

Vt joonis 8:

- A Sügavuspiirik
- B Reguleerimismutter, alumine

9. Keerake alumine reguleerimismutter tihedalt alla vastu freesi raami.

MÄRKUS: Ülemine reguleerimismutter peab alumise reguleerimismutrit pingutamise ajal püsima paigal.

10. Vajutage vabastusnuppu, et valida 1. või 2. freesimissügavus (joon. 9).

MÄRKUS: Iga freesimissügavuse seadistust tuleb kontrollida proovilõikega ning vajadusel korrigeerida.

Vt joonis 9:

- A Vabastusnupp

Kui freesimine on lõpetatud, siis laske käepide lödvemaks ning viige frees tagasi ülemisse asendisse.

ETTENIHE

Kui frees muutub juhitamatuks, kuumeneb, töötab väga aeglaselt või põhjustab ebatasase lõike, siis kaaluge järgmisi põhjuseid:

- Vale sötetehnihe suund – keeruline juhtida..
- Liialt kiire ettenihke – ülekoormus mootorile.
- Nüri lõiketera – ülekoormus mootorile.
- Lõige liialt suur üheks lõikekorras – ülekoormus mootorile.

Ettenihke liiga aeglane – töödetaalile jäävad hõõrdumisest põlemisjäljed. Söötke sujuvalt ja ühtlaselt (ärge suruge). Varsti õpite, kuidas frees kõlab ja tundub siis, kui see töötab parimas korras.

Ettenihke kiirus

Puidu või plastikutega freesimisel või muudel sarnastel töödel saadakse parimad tulemused, kui lõike sügavust ja ettenihke kiirust reguleeritakse nii, et mootor töötab kõrgetel pööretel.

Söötke freesile mõõdukalt kiirusel. Pehmed materjalid vajavad tugevatest materjalidest suuremat ettenihke kiirust.

Frees võib vale kasutamise või ülekoormuse korral tõrkuda. Vähendage ettenihke kiirust, et vältida tööriista võimalikku kahjustamist. Veenduge alati, et tsangi mutter on kasutamise eel tugevalt pingutatud. Kasutage alati freesiterasid, millel on soovitud lõike saamiseks lühim võimalik lõikepikkus. See minimeerib freesitera kulumist ja vänderdamist.

Servamine

Kasutage servamisel alati juhtpiga või laagriga terasid. Juhtpiga lõiketera madalam osa on lõiketeradeta völli. Laagriga teradel on juhtimiseks kuullaager.

Juhik libiseb mööda detaili serva, samal ajal, kui pöörlevad terad teevad dekoratiivservade valmistamisel lõike. Serv, millel juhik liigub, peaks olema täiesti sile, kuna ebatasasused kanduvad üle vormitavale pinnale. Freesides töödetaali kiu suhtes risti, on soovitatav alati freesida ristikiudu serv enne ning seejärel kiudu järgivad servad. See minimeerib ristikiu lõpust kildude väljalöömise ohtu.

Freesi ettenihke suund

Freesi völli pöörleb ülalt vaadates päripäeva. Parima juhitavuse ja lõikekvaliteedi tagamiseks sөөtke töödetaali seadmele selles suunas, millesse tera end puidus võib kiskuma hakata. Vale ettenihke suund võib põhjustada olukorra, kus tera pööb ronida üle puidu. Sөөtke tööriistale siinnäidatud suunas. Lõigates kandilise detaili servi, nihutage tööriista veidi vastupäeva. Freesides näidatud viisil sisepinda, liikuge päripäeva suunal (joon. 10).

MÄRKUS: Ettenihke suund on vaba käega juhterra töödetaali serval kasutades äärmiselt oluline.

Vt joonis 10:

- A Freesi ettenihke suund
- B Freesige esmalt detaili otsad
- C Tera pöörlemine

PARALLEELRAKISE MONTEERIMINE

Paralleelrakise kasutamiseks paigaldage tööriista hoidiku koostule juhiku vardad ning kinnitage need (2) #10-24 nelikantmutrite ja (2) juhtimisvarda nuppudega (joon. 11).

Kantmutrid libisevad juhtvarraste kohal asuvatesse piludesse. Juhtvarda nupud paigaldatakse ülevalt läbi aukude ja mutrite alla ning vastu vardaid. Kinnitage paralleelrakis, et suunata vardaid paralleelrakise nuppude ja kuuskantmutrite abil.

Leidke paralleelrakise alt kuuskantmutrid ning kinnitage nii, et paralleelrakise nupud jäävad paralleelrakise pealmisele pinnale. Libistage paralleelrakis näidatud viisil juhtimiskoostule. Seadke paralleelrakis soovitud kaugusele lõikurist ning pingutage paralleelrakise nuppe. (Vt joonis 11)

Paralleelrakist kasutatakse servade kujundamisel, soonte, süvendite, taviavade, keelte, vagude, pilude ja kantide lõikamiseks. Sөөta tuleks nii, et lõikur ei kipuks puitu vastu paralleelrakist tõmbama. Järjepidev ettenihke kiirus tagab sujuva lõike.

Üldiselt tuleb sügava soone korral teha mitu madalamat lõiget. Lõike maksimaalne sügavus võib erineda, olenevalt kasutatavast materjalist. Ärge sөөtke sellises ulatuses, mis põhjustab mootori märgatava aeglustumise.

Vt joonis 11:

- A Sügavuse reguleerimiskruvi
- B Juhtvarda nupp
- C Kantmutrid
- D Juhtvardad
- E Paralleelrakis
- F Viimistlusnael
- G Ringjuhk
- H Kuuskantmutrid
- I Paralleelrakise nupp

PARALLEELRAKIS

Paigaldamine

1. Paigaldage paralleelrakis ülafreesi kinnitusplokkidele (joon. 12).

Vt joonis 12:

- A Kinnitusplokkid
- B Paralleelrakis

2. Paigutage paralleeljuhk tööpinna vastu, nii et lõiketera jääb soovitud asendisse.
3. Pingutage pöidlakruvisid.

Paralleelrakisega freesimine

Libistage paralleelrakise siledat poolt mööda tööpinda.

RINGJUHK

Juhtkaared ja -ringid

1. Eemaldage paralleelrakis ning paigaldage juhtvarraste ringjuhiku klamber (joon. 13).

Vt joonis 13:

- A Viimistlusnael
- B Paralleelrakis

2. Kasutage kaasasolevat viimistlusnaela viitepunktina. Seadistage ringjuhk vastavalt soovitud raadiusele.
3. Pange nael läbi juhikuse asuva ava ning paigutage see lõigatava raadiuse keskpunkti.

VALMISMUSTRID

Valmismustrite kasutamine võimaldab teil kujundusi või tähti pidevalt muutumatult duplitseerida. See tehnika eeldab kopeerhülsi kasutamist.

KOPEERHÜLS

Joonisel 14 näidatud kopeerhülss on põhimõtteliselt kõverdunud servaga plaat, mis paigaldatakse näidatud viisil alusel asuvasse avasse ning kinnitatakse kopeerhülsi peale vastavalt korki keerates. Kopeerhülss libiseb mööda valmismustrit, samal ajal, kui altpoolt väljalatuv tera lõikab detaili.

Vt joonis 14:

- A Kopeerhülsi kork
- B Kopeerhülss
- C Alus

TÄHELEPANU: Veenduge, et valmismustri paksus on sama või suurem alusest eenduva plaadi pikkusest.

Ärge kasutage tera, mis võib puutuda kõverdunud serva sisekülge. Valige tera, mis on vähemalt 2 mm väiksema läbimõõduga.

Lisaks on võimalik kerge vaevaga luua erilisi šabloone, et teha korduvaid mustrid, erikujundusi, aukmustrid või muud. Valmismustri võib valmistada vineerist, saepuruplaadist, metallist või isegi plastikust ning kujunduse võib lõigata freesi, tikksae või mis tahes muu sobiva lõikeesemega.

Pidage meeles, et valmistatav muster peab kompenseerima freesitera ja kopeerhülsi vahelise kauguse („niike“), kuna lõpliku töödetaali suurus erineb šabloonimustrist selle väärtuse võrra (joon. 15).

Vt joonis 15:

- A Freesitera
- B Tsangi mutter
- C Kopeerhülss
- D Alus
- E Valmismuster
- F Töödetail
- G Nihet

VABA KÄEGA FREESIMINE

Paljusid efekte on võimalik saavutada, kui kasutada väiksema läbimõõduga teraga freesi vaba käega. Tavaliselt visandab käsitöömeister soovitavad piirjooned või sümbolid töödetailele ning kasutab juhtimiseks pliitsijooni.

TEENINDUS JA GARANTII

Käesoleva DREMELI toote suhtes kehtib garantii vastavalt kasutusriigis kehtivatele nõuetele. Garantii ei laiene normaalsest kulumisest, ülekoormusest ja seadme ebaõigest kasutamisest põhjustatud kahjustustele.

Kaebuste korral saatke palun *lahivõtmata seade* koos ostukviitungiga lähimasse DREMELI lepingulisse töökotta.

DREMELI KONTAKTINFO

Lisateavet Dremeli kohta leiate veebisaidilt www.dremel.com

Dremel Europe, P.O. Box 3267, 4800 DG Breda, Holland

BENDROSIOS SAUGOS INSTRUKCIJOS



⚠️ IŠPĒJĪMAS PERSKAITYKITE VISAS INSTRUKCIJAS.

Jeigu nesilaikysite visų toliau išvardintų instrukcijų, galite gauti elektros smūgį, sukelti gaisrą ir (arba) sunkiai susižeisti. Terminas „elektrinis įrankis“ visuose toliau nurodytose įspėjimuose reiškia jūsų naudojamą elektrinį įrankį, prijungtą (laidu) prie elektros tinklo.

IŠSAUGOKITE ŠIAS INSTRUKCIJAS


DARBO VIETA

- Darbo vieta turi būti švari ir gerai apšviesta. *Netvarkingose ir neapsviestose vietose gali įvykti nelaimingas atsitikimas.*
- Elektrinių įrankių nenaudokite sprogojie aplinkoje. Pavyzdžiui ten, kur yra greitai užsiliepsnojančių skysčių, dujų arba dulkių. *Naudojant elektrinius įrankius, jie kibirkščiuoja, todėl dulksės arba susikaupę garai gali užsiliepsnoti.*
- Dirbdami su elektriniu įrankiu neleiskite prisirišanti vaikams ir pašaliniam asmenims. *Jeigu jūsų dėmesys bus blaškomas, galite nebesuvaldyti įrankio.*

ELEKTROSAUGA

- Elektrinio įrankio kištukai turi atitikti elektros lizdą. Draudžiama bet koku būdu keisti kištuką. Dirbdami su žemintais elektriniais įrankiais nenaudokite kištukų adapterių. *Elektros smūgio tikimybę sumažinsite naudodami nepakeistus kištukus ir juos atitinkančius lizdus.*
- Stenkities nepersiliesti prie žemintų paviršių, pavyzdžiui, vamzdžių, radiatorių, viryklių ar šaldytuvų. *Jeigu jūsų kūnas bus žemintas, elektros smūgio tikimybė bus didesnė.*
- Saugokite elektrinius įrankius nuo lietaus ir drėgmės. *Jeigu į elektrinį įrankį pateks vandens, padidės elektros smūgio tikimybė.*
- Nenaudokite laido ne pagal paskirtį. Jokių būdu elektrinio įrankio neneškite, netempkite ir iš lizdo netraukite už laido. Laidą saugokite nuo karščio, alyvos, aštrių briaunų ar judančių dalių. *Elektros smūgio tikimybė padidėja, jei naudojamas pažeistas arba susimazgęs laidas.*
- Jeigu elektrinį įrankį naudojate lauke, naudokite darbi lauke skirtą ilginuvą. *Kai naudojamas darbi lauke skirtas laidas, sumažėja elektros smūgio tikimybė.*
- Jei su elektriniu įrankiu neišvengiamai reikia dirbti drėgnoje aplinkoje, naudokite žemiminio grandinės pertraukiklį. *Naudojant žemiminio grandinės pertraukiklį, sumažėja elektros smūgio pavojus.*

ŽMONIŲ SAUGA

- Naudodami elektrinį įrankį būkite budrūs, stebėkite, ką darote, ir vadovaukitės sveiku protu. Elektrinio įrankio nenaudokite, jeigu esate pavargę, apsvaigę nuo narkotikų, alkoholio ar vaistų. *Tereikia tik akimirksniai nukreipti dėmesį dirbant su elektriniais įrankiais ir galite sunkiai susižeisti.*
-  Naudokite saugos priemones. Būtinai užsidėkite akių apsaugą. *Tokios saugos priemonės kaip kaukė nuo dulkių, batai neslidžiais padais, apsauginis šalmas ar klausos apsaugos priemonės, sumažins traumų tikimybę.*
- Saugokitės, kad neįjungtumėte prietaiso netyčia. Prieš įjungdami j lizdą patikrinkite, ar jungiklis yra padėtyje "off". *Jeigu elektrinį įrankį nešite ant jungiklio uždėję pirštą arba bandysite įrankį prijungti prie elektros tinklo, kai jungiklis yra padėtyje "on", galite susižeisti.*
- Prieš įjungdami elektrinį įrankį, nuimkite visus reguliavimo raktus ir veržliaraktius. *Jeigu ant besisukančios elektrinio įrankio dalies bus paliktas uždėtas veržliaraktis arba raktas, galite susižeisti.*
- Nepervertinkite savo jėgų. *Visada stovėkite tvirtai ir išlaikykite pusiausvyrą. Taip galėsite geriau suvaldyti įrankį nenumatytoje situacijoje.*
- Vilkėkite tinkamą aprangą. *Nevilkėkite plačių drabužių ir papuošalų. Saugokitės, kad judančios dalys nepersiliestų prie plaukų, drabužių ar pirštinių. Plačius drabužius, papuošalus ar ilgus plaukus gali įtraukti besisukančios dalys.*
- Jei yra numatyta galimybė prijungti dulkių nusiurbimo ar surinkimo įrenginius, visada įsitinkite, ar jie yra prijungti ir ar tinkamai naudojami. *Naudojant dulkių nusiurbimo įrenginius sumažėja dulkių keliamas pavojus.*
- Nedirbkite su medžiagomis, kurių sudėtyje yra asbesto** (asbestas laikomas kancerogeniška medžiaga).
- Imkitės apsaugos priemonių, kai darbo metu gali atsirasti sveikatai kenksmingų, lengvai judančių ar sprogių dulkių** (kai kurios dulksės laikomos kancerogeniškomis); dėvėkite kaukę nuo dulkių ir, jeigu galima prijungti, naudokite dulkių/pjuvėnų ištraukimo įrangą.

ELEKTRINIO ĮRANKIO NAUDOJIMAS IR PRIEŽIŪRA

- Neperkraukite prietaiso. Naudokite jūsų darbi tinkamą elektrinį įrankį. *Su tinkamu elektriniu įrankiu darbi atliksite geriau ir saugiau, jei naudosite jį gamintojo numatytoje galios diapazone.*
- Elektrinio įrankio nenaudokite, jei neveikia jungiklis. *Bet kuris elektrinis įrankis, kurio negalima valdyti jungikliu, yra pavojingas ir jį būtina remontuoti.*
- Prieš reguliuodami, keisdami priedus arba padėdami j šalį elektrinį įrankį, išjunkite kištuką iš elektros lizdo. *Šios prevencinės saugos priemonės sumažina netyčinio elektrinio įrankio įjungimo riziką.*
- Nenaudokiam elektrinius įrankius laikykite vaikams nepasiekiamoje vietoje, taip pat neleiskite asmenims, nemokantiems dirbti su elektriniu įrankiu arba nesusipažinusiems su šiomis instrukcijomis, naudoti elektriniu įrankiu. Elektriniai įrankiai yra pavojingi, kai juos naudoja neapmokoti asmenys.
- Priziūrėkite elektrinius įrankius. Patikrinkite, ar judančios dalys nepasislinkusios arba neįstrigusios, ar nėra sulūžusių dalių ar kitų gedimų, kurie gali turėti įtakos elektrinio įrankio veikimui. Pastebėję gedimų, elektrinį įrankį sutvarkykite prieš naudodami. *Daugybė nelaimingų atsitikimų įvyksta dėl netvarkingų elektrinių įrankių.*
- Pjovimui skirti įrankiai turi būti aštrūs ir švarūs. *Jeigu pjovimo įrankiai su aštriomis pjaunamosiomis briaunomis tinkamai prižiūrimi, jie rečiau stringa ir juos lengviau valdyti.*
- Elektrinį įrankį, jo priedus, dalis ir pan. naudokite laikydamiesi šių instrukcijų ir pagal konkrečiam elektriniam įrankiui numatytą paskirtį, atsižvelgdami j darbo sąlygas ir atliekamą darbi. *Jeigu elektrinis įrankis naudojamas ne pagal paskirtį, gali susidaryti pavojinga situacija.*

LT

TECHNINIS APTARNAVIMAS

- a. Elektrinį įrankį turi remontuoti tik kvalifikuoti specialistai ir naudoti tik originalias atsargines dalis. *Taip galima garantuoti, jog elektrinis įrankis išliks saugus naudoti.*

DARBO SAUGOS NUORODOS DIRBANTIEMS SU VERTIKALIOJO FREZAVIMO MAŠINOMIS

BENDROJI DALIS

- Šį prietaisą turėtų naudoti tik asmenys, kuriems 16 ir daugiau metų.
- Prieš reguliuojant prietaisą arba keičiant darbo įrankius, ištraukite kištuką iš el. tinklo lizdo.

PAPILDOMA ĮRANGA

- Leidžiama naudoti tik tokius įrankius, kurių maksimalus leistinas apsisukimų skaičius yra ne mažesnis, nei maksimalus Jūsų prietaiso sukūji skaičius.
- Draudžiama naudoti įtrūkusias ar deformuotas frezas.
- Naudoti tik aštrias frezas.
- Papildomą įrangą saugokite nuo smūgių, sutrenkimų bei riebalų poveikio.

PRIEŠ EKSPLOATACIJĄ

- Saugokite, kad nepažeistumėte prietaiso į ruošinyje esančius varžtus, vinius ir pan; prieš pradėdami darbą juos pašalinkite.
- Visada patikrinkite, ar elektros tinklo įtampa atitinka prietaiso firminėje lentelėje nurodytą įtampą (prietaisus su nurodyta įtampa 230 V ir 240 V galima jungti į 220 V įtampos elektros tinklą).
- Jei ruošinio svorio neužtenka, kad jis liktų stabilioje padėtyje, įtvirtinkite jį.
- Kai kurių medžiagų, kaip antai dažų, kurių sudėtyje yra švino, kai kurių medžių rūšių medienos, mineralų ir metalo dulksės gali būti kenksmingos (kontaktas su šiomis dulėmis arba įkvėptos dulksės gali sukelti operatoriui arba šalia esantiems žmonėms alergines reakcijas ir/arba kvėpavimo sistemos susirgimus); mūvėkite priešdulkinę puskaukę arba dirbdami naudokite dulkių ištraukimo įrenginį, jei jį galima prijungti.
- Vadovaukitės Jūsų šalyje taikomų direktyvų reikalavimais, skirtais medžiagoms, su kuriomis norite dirbti.
- Prieš kišdami kištuką į elektros lizdą įsitinkite, kad prietaisas yra išjungtas.

EKSPLOATACIJA

- Pasirūpinkite, kad maitinimo kabelis nebūtų arti besisukančių prietaiso dalių; klokite jį kuo toliau už prietaiso.
- Prietaisą su pažeistu kabeliu ar pažeista atramine plokšte (= apsauginis įtaisas) naudoti draudžiama; jį turi pakeisti kvalifikuotas elektrikas.
- Įjungiant prietaisą draudžiama laikyti rankas ir pirštus arti frezos.
- Atsiradus mechaninio ar elektrinio pobūdžio trikdžiui, tuojau pat išjunkite prietaisą ir ištraukite kištuką iš elektros tinklo lizdo.
- Jeigu freza užsiblokavo ir dėl to atsirado prietaisą veikiančios reakcijos jėgos, prietaisą tuojau pat išjunkite.
- Nutrūkus elektros srovei tinkle arba netyčia ištraukus kištuką iš lizdo, nedelsdami išjunkite prietaisą, taip apsisaugant nuo netikėto pakartotino įsijungimo.
- Dirbdami neapkraukite prietaiso tiek, kad jis sustotų.

NAUDOJIMO PATARIMAI

- Atsivėlgdami į tai, kokią frezavimo operaciją norite atlikti, pasirinkite atitinkamas frezas.

- Jei norite tiksliai atlikti ruošinio kraštui lygiagrečius pjūvius, naudokite šoninę atramą.
- Jei norite atlikti lygiagrečius pjūvius toliau nuo ruošinio krašto:
 - prie ruošinio 2 veržtuvais pritvirtinkite tiesią medinę juosteles, kurių panaudokite kaip kreipiančiąjį liniuotę.
 - priglaukite prie jos atraminės plokštės kraštą ir stumkite prietaisą išilgai šios liniuotės.
- apsisaugokite nuo vibracijos poveikio prižiūrėdami įrankį ir jo priedus, laikydami rankas šiltais ir derindami darbo ciklus su pertraukėlimis.

APLINKA

UTILIZAVIMAS

Įrenginys, jo priedai ir pakuotė turi būti rūšiuojami ir atiduodami ekologiniam perdirbimui.

TIK ES VALSTYBĖMS NARĖMS



Elektrinių įrankių neišmeskite kartu su buitinėmis šiukšlėmis!

Remiantis ES direktyva 2002/96/EB dėl elektros ir elektroninės įrangos atliekų ir jos perkėlimu į nacionalinę teisę, nebetinkami naudoti elektriniai įrankiai turi būti surenkami atskirai ir utilizuojami aplinkai nekenksmingu būdu.

ĮRANKIO VALDYMO ELEMENTAI

Žr. 1 pav.:

- A** „Dremel“ sukamasis įrankis
- B** Greičio valdiklis
- C** Sumontavimo veržliaraktis ir saugojimo vieta
- D** Rankena (pasukti, kad užsifiksuotų)
- E** Įvorės veržlės veržliaraktinio saugojimo vieta (veržliaraktis neįdėtas)
- F** Gylio skalė (angliški matavimo vnt.)
- G** Krašto kreipiklis
- H** Rato kreipikliai
- I** Veleno fiksavimo mygtukas
- J** Rankena (stacionari)
- K** Reguliavimo veržlė, apatinė
- L** Gylio stabdiklis
- M** Reguliavimo veržlė, viršutinė
- N** Atleidimo mygtukas

SURINKIMAS

NUKREIPIAMOJO STŪMOKLIO SUMONTAVIMAS PRIE JŪSŲ ĮRANKIO

PIEDAS, SKIRTAS NAUDOTI SU „DREMEL“ SUKAMŲJŲ ĮRANKIŲ MODELIAIS 300, 395, 398, 400, 4000.

⚠ ĮSPĖJIMAS Atjunkite kištuką nuo maitinimo šaltinio prieš tai, kai norite reguliuoti arba keisti priedus. Tokie apsauginiai veiksmai sumažina riziką, kad įrankis gali atsitiktinai įsijungti.

1. Nusukite įvorės veržlę, nuimkite atgalį nuo sukamojo įrankio ir padėkite atgalį į šoną (2 pav.). Atgalį reikia uždėti atgal, kai šis priedas nenaudojamas. Jei atgalis nuimtas, uždėkite įvorės veržlę.

Žr. 2 pav.:

- A** Atgalis

- Uždėkite įrankį ant savo kreipiamojo priedo su veleno fiksavimo mygtuku ta kryptimi, kuria nurodyta (3 pav.).
- Sukite antgalį pagal laikrodžio rodyklę ant srieginės savo sukamojo įrankio dalies ir tvirtai užsukite pateiktuju veržliarakčiu.

Žr. 3 pav.:

- A Montavimo veržliaraktis
- B Montavimo veržlė
- C Veleno fiksavimo mygtukas

VALDYMO INSTRUKCIJOS

DĖMESIO: šis priedas pakeis „Dremel“ sukamąjį įrankį į kreipiamąjį stūmoklį, skirtą įvairių linijų laikant ranka, kraštų apdorojimui, įdrožiu ir apvalių pjovimų darbams. Frezavimo mašinos priedas pateikiamas surinktas ir parengtas naudoti pjovimo darbams laikant ranka arba dirbant įrankiu, kai jame yra pagalbinių freza.

Kad stūmoklis veiktų tolygiai, reikia periodiškai valyti ir sutepti kreipiklio taškus. Atleiskite ir užfiksukite kreipiamąjį stūmoklį, tada vienodai užtepkite tepalo (pvz.: naftos gelio, kepimo aliejaus) ant viršutinių kreipiklių taškų dalių.

⚠️ ĮSPĖJIMAS Šis kreipiamojo stūmoklio priedas neskirtas naudoti po frezavimo mašina arba pjovimo stalu.

Priedo specifikacija

Žr. 4A pav.

FREZOS ĮDĖJIMAS

Freza laikoma įrankyje žiedine sistema. **Šią dalį galima sumontuoti prieš ir po sukamojo įrankio montavimo priede.**

- Atleiskite ir laikykite veleno fiksavimo mygtuką, kol sukamąjį įvorės veržlė ir velenas sukasi. Sukite įvorės veržlę ir veleną, kol fiksatorius užfiksuos ir sulaukys veleną (žr. 4 pav.).
- Naudokite veržliarakį iš „Dremel“ sukamojo įrankio ir pasukite įvorės veržlę prieš laikrodžio rodyklę, kad ją atlaisvintumėte.
- Atleiskite veleno fiksavimo mygtuką.
- Įdėkite frezos kotelį į įvorę kiek įmanoma giliau, kad būtų užtikrintas tinkamas frezos sugriebimas ir kad ji būtų kuo mažiau išlindusi. Nekiškite frezos taip giliai, kad jos grioveliai liestųsi su įvore arba įvorės veržlės ir freza nestrigtų arba nedraskytų.

PASTABA: niekada nedėkite įrankio su freza, išsikišusia per plokštės pagrindą arba darbinį paviršių. Padėkite įrankį šonu arba įstumkite dalį, jei dedate ant plokštės arba darbinio paviršiaus. Jei pjovimo freza išsikiša, įrankis gali šoktelėti.

- Iš naujo įjunkite veleną ir prisukite įvorės veržlę; pirmiausia ranka, paskui naudodami veržliarakį, kad veržlė būtų gerai užsukta.

Žr. 4B pav.:

- A Įvorės veržlės veržliaraktis
- B Pagrindas
- C Įvorės veržlė
- D Veleno fiksavimo mygtukas

SUKIMOSI GYLIO NUSTATYMAS

PASTABA: kai pjaunate giliai, ypač nuo darbinio ruošinio kraštu, rekomenduojama atlikti kelis sekmingus pjovimus progresyviai gilėjant ir naudojantis gylio nustatymu bei gylio skale, o ne iškart atlikti vieną gilų pjovimą.

Gylio ribotumas gali būti sureguliuotas dviem gyliais.

- Ant darbinio ruošinio padėkite „Dremel“ sukamąjį įrankį ir sukamąjį mechanizmą.
- Pasukite viršutinį reguliatorių aukštyn ir apatinį reguliatorių žemyn, kad gylio reguliavimas būtų netrukdomas ir laisvai judėtų (5 pav.).

Žr. 5 pav.:

- A Gylio stabdiklis
- B Viršutinis reguliatorius
- C Apatinis reguliatorius

- Atlaisvinkite rankenos fiksavimą (6 pav.). Lėtai nuleiskite įrankį, kol kreiptuvas liesis su darbinio ruošiniu.

Žr. 6 pav.:

- A Rankena
- B Atleidimo mygtukas

- Prisukite fiksavimo rankeną, kad užfiksotumėte įrankį jo vietoje.
- Paspauskite ir laikykite nuspaudę atleidimo mygtuką, kad gylio stabdiklis liestųsi su kreiptuvo pagrindu.

1 kreipimo gylis

- Pasukite gylio stabdiklį aukštyn, kad X matmuo būtų lygus pirmam reikiamam kreipimo gyliui (7 pav.).

PASTABA: 1 pasukimas lygus „06“ (1,5 mm)

Žr. 7 pav.:

- A Gylio stabdiklis
- B Viršutinis reguliatorius

- Pasukite viršutinį reguliatorių žemyn prieš kreiptuvo rėmą.

2 kreipimo gylis

- Pasukite gylio stabdiklį aukštyn, kad X matmuo būtų lygus antrajam reikiamam kreipimo gyliui. Patikrinkite, kad viršutinis reguliatorius sukėtųsi su gylio stabdikliu, todėl kiltų nuo kreipiklio rėmo (8 pav.).

Žr. 8 pav.:

- A Gylio stabdiklis
- B Apatinis reguliatorius

- Pasukite apatinį reguliatorių prieš kreipiklio rėmą.

PASTABA: viršutinis reguliatorius turi likti stacionarus, kai sukate apatinį reguliatorių.

- Paspauskite atleidimo mygtuką ir pasirinkite 1 arba 2 kreipimo gylį (9 pav.).

PASTABA: kiekvieno kreipimo gylio reguliavimas turi būti patikrintas bandomuoju pjovimu ir iš naujo nustatytas, jei to reikia.

Žr. 9 pav.:

- A Atleidimo mygtukas

Kai kreipimas baigiamas, atlaisvinkite rankeną ir grąžinkite kreipiklį į viršutinį padėtį.

FREZAVIMO MAŠINOS PASTŪMA

Jei frezavimo mašiną sunku valdyti, ji kaista, veikia labai lėtai arba palieka netinkamus pjūvius, gali būti kelios to priežastys:

- Neteisinga pastūmos kryptis – sunkus valdymas.
 - Per greita pastūma – perkrauna variklį.
 - Atbukęs grąžtas – perkrauna variklį.
 - Viena eiga pjauna per daug – perkrauna variklį.
 - Per lėta pastūma – palieka apdegimus darbiname ruošinyje.
- Stumkite tolygiai ir pastoviai (be jėgos). Greitai sužinosite, kokį garsą skleidžia dirbdama frezavimo mašina ir koks turi būti jausmas, kai ji geriausiai dirba.

Tinkama pastūma

Kai frezuojama arba atliekami panašūs darbai su mediena ir plastikų, geriausi rezultatai tada, kai pjovimo gylis ir pastūmos greitis reguliuojamas taip, kad variklis veiktų dideliu greičiu.

Stumkite į kreiptuvą vidutiniu greičiu. Minkštos medžiagos reikalauja greitesnės pastūmos nei kietos.

Frezavimo mašina gali uždelsti, jei netinkamai naudojama arba perkraunama. Sumažinkite pastūmos greitį ir apsaugokite nuo galimo įrankio sugadinimo. Visada patikrinkite, ar įvorės veržlė prisukta tvirtai, ir tik tada naudokite įrankį. Visada naudokite trumpiausio pjovimo gylio frezą, kad būtų užtikrintas reikiamas pjovimas. Taip sumažinsite kreiptuvo grąžto veikimą ir vibraciją.

Kraštų formavimas

Kai formuojami kraštai, visada naudokite pagalbinus ir spec. atramines frezas. Apatinė tokios frezos dalis yra velenas be pjovimo kraštų. Spec. frezos turi užapvalintas pagalbinės atramos.

Spec. freza slenka per darbinio ruošinio kraštą, nes besisukantys ašmenys pjauna ir palieka dekoratyvius kraštus. Atraminis paviršius, per kurį slenka spec. freza, turi būti prieš tai gerai išlygintas, nes bet kokiai nelygumai matosi ir ant suformuoto krašto.

Kai frezuojamas darbinis ruošinys, kurio grūdėtus kraštus reikia suformuoti, pirmiausia išpaukite platesnę nelygią kraštų formą, o tada tinkamai formuokite gražius kraštus. Taip sumažinsite riziką, kad pažeisite kraštus, jei nukryptumėte.

Frezavimo mašinos pastūmos

Frezavimo mašinos velenas sukasi pagal laikrodžio rodyklę, jei žiūrima iš viršaus. Geriausiai kontroliuoti ir gauti geriausių kokybę stumkite įrankį į darbinį ruošinį ta kryptimi, kuria sukasi grąžtas į medieną. Neteisinga pastūmos kryptis gali lemti frezos bandymą lipti iš medienos.

Veskite įrankį ta kryptimi, kuri parodyta. Jei pjaunami apvalaus ruošinio kraštai, sukite įrankį prieš laikrodžio rodyklę. Jei frezuojamas vidinis paviršius kaip parodyta, stumkite pagal laikrodžio rodyklę (10 pav.).

PASTABA: *pastūma yra labai svarbi frezuojant ruošinio kraštus iš rankos su spec. freza.*

Žr. 10 pav.:

- A Frezavimo mašinos pastūmos kryptis
- B Pirmiausia kraštų apdorojimas
- C Frezos sukimasis

KRAŠTŲ FREZŲ SUMONTAVIMAS

Norėdami frezuoti pakraščius su spec. frezomis, sumontuokite kreipiančiuosius strypus įrankio laikiklyje ir užfiksuokite naudodamiesi (2) #10-24 apvaliomis veržlėmis bei (2) kreipiamųjų strypų kaiščiais (11 pav.).

Apvali veržlė slinks į angą virš kreipiklio strypų. Kreipiklių strypų kaiščiai sumontuojami nuo viršaus per skylės žemyn per veržles ir vėl prieš strypus. Prisukite kraštų kreipiklius prie kreipiklių strypų naudodamiesi kraštų kreipiklių kaiščiais ir šešiakampėmis veržlėmis. Sukite šešiakampės veržlės po kraštų kreipikliais ir prisukite kaiščius kreipiklių paviršiuje. Kiškite kraštų kreipiklių mechanizmą ant kreipiklių kaiščių kaip parodyta. Nustatykite kraštų kreipiklius reikiamu atstumu nuo frezos ir prisukite kraštų kreipiklių kaiščius. (Žr. 11 pav.)

Spec. frezos kraštams naudojamos aštrinti kraštus, pjauti lankus, cokolius, išpjuvas, liežuvius, griovelius, angas ir latakus. Žinokite, kad įrankis turi eiti taip, kad freza stumtų krašto kreipiklius prieš medienos ruošinį. Tolygus stūmimas užtikrina tolygų pjovimą.

Bendrai reikėtų pabandyti kelis pjovimus, kai reikia išpjauti gilų griovelį. Maksimalus pjovimo gylis gali skirtis priklausomai nuo naudojamos medžiagos. Per daug nespaukite, kad variklis nesulėtintų eigos.

Žr. 11 pav.:

- A Gylio reguliatorius
- B Frezos strypo kaištis
- C Apvalios veržlės

- D Frezos strypai
- E Krašto kreipiklis
- F Apipavidalinimo antgalis
- G Apvalus kreipiklis
- H Šešiakampės veržlės
- I Krašto kreipiklio kaištis

KRAŠTO KREIPIKLIS

Montavimas

1. Sumontuokite krašto kreipiklį prie kreipiamąjo stūmoklio montavimo bloką (12 pav.).

Žr. 12 pav.:

- A Montavimo blokas
- B Krašto kreipiklis

2. Dėkite lygiagrečių kreipiklių prieš darbinio ruošinio paviršių su kreiptuvo freza reikiamoje padėtyje.
3. Prisukite varžtus.

Frezavimas su kraštų kreipikliu

Stumkite plokščią krašto kreipiklio dalį prispaudę prie darbinio ruošinio paviršiaus.

APVALUS KREIPIKLIS

Frezavimas pjaunant arkas ir ratus

1. Nuimkite krašto kreipiklį ir prijunkite pjovimo ratu kreipiklio rėmą prie kreipiklių strypų (13 pav.).

Žr. 13 pav.:

- A Apipavidalinimo antgalis
- B Krašto kreipiklis

2. Naudokite apipavidalinimo antgalį, pateiktą su kompasu tašku. Nustatykite apvalų kreipiklį reikiamu spinduliu.
3. Kiškite antgalį per angą kreipiklyje ir sureguliuokite centre reikiamu pjovimo kampu.

ŠABLONAI

Naudojimas šablonais leidžia kurti du vienodo dizaino ruošinius arba raišes. Ši technika reikalauja naudoti kreipiklio įdėklą.

KREIPIKLIO ĮDĖKLAS

Kreipiklio įdėklas parodytas (14 pav.), ir tai įpatinga plokštė su lanku, kuris įkišamas į angą pagrinde kaip parodyta, taada pritvirtinkite perkidami įdėklo kaištį kreipiklio įdėklo viršuje. Kreipiklio įdėklas eina per šablono kraštą, kai freza (toliau iškišta) pjauna darbinį ruošinį.

Žr. 14 pav.:

- A Įdėklo kaištis
- B Kreipiklio įdėklas
- C Pagrindas

DĖMESIO: patikrinkite, kad šablono storis būtų toks pat arba didesnis nei įdėklo, išsikišusio iš už pagrindo.

Nenaudokite frezos, kuri gali liesti vidinę lanko dalį. Pasirinkite frezą, kuris yra mažiausiai 2 mm mažesnio skersmens.

Papildomai specialūs šablona lengvai paruošiami pjauti tokius pat šablonus, specialaus dizaino ruošinius, mozaikas ir kitokius ruošinius. Šablonas gali būti iš faneros, plokštės, metalo arba lygaus plastiko, dizainas gali būti išpautas su freza, pjūklų arba kitu tinkamu pjovimo įrankiu.

Žinokite, kad šablonas turi būti padarytas kompensuotu atstumu tarp kreiptuvo frezos ir jos įdėklo (ofseto), nes galutinis darbinis ruošinys tiek skirsis pagal dydį nuo šablono dėl frezos padėties (15 pav.).

Žr. 15 pav.:

- A Kreiptuvo freza
- B Jvorės veržlė
- C Kreipiklio įdėklas
- D Pagrindas
- E Šablono pavyzdys
- F Darbinio ruošinys
- G Ofsetas

FREZAVIMAS IŠ RANKOS

Daugelis efektų išgaunami vedant frezavimo mašiną ranka su mažu skersmens frezomis. Dažniausiai pieštuku pasižymėkite arba apveskite reikiamas formas ant darbinio ruošinio ir naudokite pieštuko linijas kaip kreipiklius.

APTARNAVIMAS IR GARANTIJA

Šiam DREMEL gaminiui suteikiama garantija atitinka šalyje galiojančius įstatymus. Garantija netaikoma gedimams, atsiradusiems dėl natūralaus susidėvėjimo, taip pat dėl perkrovų arba netinkamo naudojimo.

Reklamacijos atveju siųskite *neišardytą* įrankį su atitinkamu pirkimą patvirtinančiu dokumentu savo pardavėjui.

SUSISIEKITE SU DREMEL

Norėdami sužinoti daugiau informacijos apie "Dremel", apsilankykite tinklalapyje www.dremel.com

Dremel Europe, P.O. Box 3267, 4800 DG Breda, Nederlande

SPLOŠNA VARNOSTNA NAVODILA



⚠ OPOZORILO PREBERITE VSE NAVODILA.

Ob nepoštevanju spodnjih navodil lahko pride do električnega udara, požara in/ali težkih poškodb. Pojem "električno orodje", uporabljen v spodnjih opozorilih, se nanaša na vaše električno orodje s kablom za napajanje iz električnega omrežja.

SHRANITE TA NAVODILA

DELOVNO OBMOČJE


- a. Poskrbite, da bo delovno območje čisto in dobro osvetljeno. Na nepospravljenih in temnih mestih so nezgode pogostejše.
- b. Električnih orodij ne uporabljajte v eksplozivni atmosferi, npr. ob prisotnosti vnetljivih tekočin, plinov ali vnetljivega prahu. Električna orodja ustvarjajo iskre, ki lahko vnamejo prah ali hlape.
- c. Med uporabo orodja morajo biti otroci in druge osebe izven delovnega območja. V primeru, da odvrnejo vašo pozornost, lahko izgubite nadzor nad orodjem.

ELEKTRIČNA VARNOST

- a. Vtič električnega orodja se mora ujemati z vtičnico. Vtiča nikoli ne spreminjajte na kakršenkoli način. Pri uporabi ozemljenega električnega orodja ne uporabljajte adapterskih vtičev. Z uporabo nespremenjenega vtiča in ustrezne vtičnice zmanjšate nevarnost električnega udara.

- b. Preprečite stik telesa z ozemljenimi površinami, kot so cevi, radiatorji in hladilniki. Če je vaše telo ozemljeno, ste izpostavljeni povečani nevarnosti električnega udara.
- c. Električnega orodja ne izpostavljajte dežju in ga ne uporabljajte v vlažnem okolju. Vdor vode v električno orodje poveča tveganje električnega udara.
- d. Z električnim kablom ravnajte primerno. Nikoli ne nosite orodja tako, da držite kabel, ne vlečite za kabel in ne odklapljajte vtiča tako, da vlečete za kabel. Kabel zavarujte pred vročino, oljem, ostrimi robovi in premikajočimi se deli. Poškodovani in zavozlani kablji povečajo tveganje električnega udara.
- e. Pri uporabi električnega orodja na prostem uporabite električni podaljšek, ki je primeren za zunanjo rabo. Uporaba kabla, ki je primeren za zunanjo rabo, zmanjša tveganje električnega udara.
- f. Če je uporaba električnega orodja v vlažnem okolju neizogibna, uporabljajte prekinjevalec električnega tokokroga. Prekinjevalec električnega tokokroga zmanjšuje tveganje električnega udara.

OSEBNA VARNOST

- a. Bodite pozorni, pazite, kaj delate, in uporabljajte zdravo pamet pri rokovanju z električnimi orodji. Ne uporabljajte električnih orodij, če ste utrujeni ali pod vplivom drog, alkohola ali zdravil. Trenutek nepozornosti med uporabo električnega orodja lahko povzroči resne telesne poškodbe.
- b.  Uporabljajte varnostno opremo. Vedno uporabljajte zaščitno za oči. Uporaba primerne varnostne opreme, npr. protiprašne maske, nedrsečih zaščitnih čevljev, čelade in zaščitne sluha, lahko zmanjša nevarnost telesnih poškodb.
- c. Pazite, da ne pride do nenamernega zagona. Pred priklopom vtiča preverite, ali je stikalo v položaju za izklop. Ne prinašajte električnega orodja s prstom na stikalu in ne vklapljajte električnega orodja z vključenim stikalom.
- d. Pred vklopom električnega orodja odstranite nastavitvene ključe. Ključ, ki je ostal nameščen na vrtljivem delu električnega orodja, lahko povzroči telesne poškodbe.
- e. Ne nagibajte se preveč. Imejte pravilno telesno držo in poskrbite za ravnotežje. Tako boste lahko bolje obdržali nadzor nad električnim orodjem v nepredvidljivih situacijah.
- f. Nosite ustrezno obleko. Ne nosite visečih oblačil in nakita. Pazite, da vaši lasje, obleka in rokavice ne pridejo v stik s premikajočimi se deli. Premikajoči se deli lahko zagrabijo visečo obleko, nakit in dolge lase.
- g. Če je orodje opremljeno s priključkom za zbiranje in odstranjevanje prahu, poskrbite za pravilno priključitev in uporabo. Uporaba teh priprav lahko zmanjša tveganja zaradi prahu.
- h. **Ne obdelujte materialov, ki vsebujejo azbest** (azbest je rakotvoren).
- i. **Če pri delu nastaja zdravju škodljiv prah** (nekateri prahovi so rakotvorni), **vnetljiv ali eksploziven prah, poskrbite za ustrezne zaščitne ukrepe**; nosite protiprašno masko in uporabite naprave za odstranjevanje prahu/iveri, če so predvidene.

UPORABA IN NEGA ELEKTRIČNEGA ORODJA

- a. Ne preobremenjujte električnega orodja. Uporabite pravo električno orodje za vaše potrebe. Z ustreznim električnim orodjem boste delo opravili bolje in varneje z močjo, za katero je bilo zasnovano.
- b. Električnega orodja ne uporabljajte, če stikalo za vklop/izklop ne deluje. Vsako električno orodje, ki ga ni mogoče vklopiti ali izklopiti s stikalom, je nevarno in ga je treba popraviti.
- c. Pred nastavitvami, zamenjavo pribora in shranjevanjem izvlčite vtič iz vtičnice. Preventivni varnostni ukrepi zmanjšajo tveganje nenamerne zagona električnega orodja.

SLO

- d. Električno orodje, ki ni v uporabi, hranite izven dosega otrok. Ne dovolite osebam, ki ne poznajo električnega orodja oz. niso prebrale teh navodil, da bi rokovale z električnim orodjem. *Električno orodje postane nevarno v rokah neizkušenih uporabnikov.*
- e. Vzdržujte električno orodje. Kontrolirajte orodje glede napačno poravnanih ali blokiranih gibljivih delov, poškodb delov ali kakršnihkoli drugih stanj, ki bi lahko vplivala na delovanje električnega orodja. Če je orodje poškodovano, ga pred ponovno uporabo predajte v popravilo. *Veliko nezgod se zgodi prav zaradi slabo vzdrževanega električnega orodja.*
- f. Poskrbite, da bo rezalna orodje vedno ostro in čisto. *Pravilno vzdrževana rezalna orodja z ostrimi rezilnimi robovi so manj nagnjena k zatikanju in jih je lažje voditi.*
- g. Električno orodje, pribor, nastavke itd. uporabljajte v skladu s temi navodili za uporabo in v namen, predviden za določen tip električnega orodja, ter pri tem upoštevajte delovne pogoje in vrsto dela, ki ga želite opraviti. *Z uporabo električnega orodja za dela, katerim orodje ni namenjeno, povečate tveganje.*

SERVIS

- a. Električno orodje lahko popravlja samo usposobljeno strokovno osebje, in to izključno z originalnimi nadomestnimi deli. *Le tako bo poskrbljeno za varnost vašega električnega orodja.*

VARNOSTNA NAVODILA ZA DELO S POTOPNIM REZKARJEM

SPLOŠNO

- Orodja naj ne bi uporabljale osebe mlajše od 16 let.
- Vedno izvlcite električni vtičak iz vtičnice preden spreminjate nastavitve ali menjate pribor.

PRIBOR

- Uporabljajte lahko dodatni pribor, katerega dovoljena hitrost je najmanj enaka največji hitrosti orodja.
- Ne uporabljajte poškodovanih ali nepravilno oblikovanih stružnih nožev.
- Uporabljajte le ostre stružne nože.
- Zaščitite pribor pred udarci, sunki in maščobami.

PRED UPORABO

- Izogibajte se poškodb zaradi vijakov, žebeljev ali drugih elementov v obdelovancu; odstranite jih pred začetkom dela.
- Pred uporabo preverite, če se omrežna napetost ujema z napetostjo navedeno na tablici orodja (orodje označene z napetostjo 230V in 240V se lahko priključijo tudi na 220V).
- Vpnite obdelovavec, če zaradi svoje teže ne stoji stabilno.
- Prah materialov, kot so barve, ki vsebujejo svinec, nekatere vrste lesa, mineralov ali kovin so lahko škodljivi (ob stiku ali vdihavanju lahko prah pri delavcu ali pri drugih prisotnih povzroči alergijsko reakcijo in/ali boleznih dihal); nosite masko za prah in pri delu uporabljajte napravo za odsesavanje prahu, kjer je le-to možno priključiti.
- Upoštevajte nacionalne zahteve glede prahu za materiale katere želite obdelovati.
- Prepričajte se, če je stikalo izklopljeno, preden priključite priključni kabel.

MED UPORABO

- Kabel naj bo vedno odmaknjen od gibljivih delov stroja; usmerite ga proti zadnjemu delu, stran od stroja.
- Nikoli ne uporabljajte stroja, ko je poškodovan kabel ali temeljna plošča (= zaščitno varovalno); ploščo naj zamenja strokovnjak.
- Ko stroj vklopite, umaknite roke in prste od stružnega noža.

- Če pride do električnih ali mehanskih okvar, takoj izklopite stroj in izvlcite vtičak iz vtičnice.
- V primeru, da je stružni nož blokirán, kar se kaže v naglih gibih stroja, takoj izklopite stroj.
- V primeru prekinitve delovanja ali če pomotoma izvlčete vtičak, takoj izklopite stroj, da bi tako preprečili ponoven nenadziran zagon stroja.
- Ne pritisčajte s preveliko silo na orodje, da ne pride do njegove zaustavitve.

OKOLJE

ODSTRANJEVANJE

Odslužene stroje, pribor in embalažo morate razvrstiti in predati v okolju prijazno recikliranje.

SAMO ZA DRŽAVE ČLANICE EVROPSKE SKUPNOSTI



Električnega orodja ne odstranjujte s hišnimi odpadki! Skladno z evropsko direktivo 2002/96/ES o odpadni električni in elektronski opremi in njenim izvajanjem v nacionalni zakonodaji je treba odsluženo električno orodje zbirati ločeno in ga odstranjevati na okolju prijazen način.

UPORABNI NASVETI

- Uporabljajte ustrezne stružne nože.
- Za reze, ki tečejo vzporedno s stranskim delom obdelovalnega predmeta, uporabite vodilni prislon.
- Za vzporedne reze v obdelovalni predmet, ki je daleč od roba:
 - z dvema objemkama pritrдите raven kos lesa na obdelovalni predmet.
 - vodite stroj, tako da je temeljna plošča vzdolž robu lesenega kosa, ki zdaj deluje kot vodilni prislon.
- Pred posledicami vibracij se zaščitite z vzdrževanjem orodja in pripadajočih nastavkov, ter tako, da so vaše roke tople, vaši delovni vzorci pa organizirani.

GUMBI ZA UPRAVLJANJE

Glej Sliko 1:

- A** Dremel rotacijsko orodje
- B** Kontrola hitrosti
- C** Montažni ključ & Prostor za šrambo
- D** Ročaj (obrne za zaklep)
- E** Prostor za šrambo ključa za okrovno matico (ključ ni priložen)
- F** Skala globine (angleška/metrična)
- G** Robno vodilo
- H** Krožno vodilo
- I** Gumb za zaklep osi
- J** Ročaj (stacionaren)
- K** Matica za nastavljanje, spodnja
- L** Zadrževalo globine
- M** Matica za nastavljanje, zgornja
- N** Sprostilni gumb

MONTAŽA

MONTAŽA NASTAVKA ZA POTOPNO REZKANJE NA VAŠE ORODJE

DODATEK ZA UPORABO Z DREMEL ROTACIJSKIMI ORODJI MODELOV 300, 395, 398, 400, 4000.

⚠ OPOZORILO Izključite vtičak iz vira napajanja pred kakršno koli montažo, nastavitvami ali spreminjanjem dodatkov. Takšni preventivni ukrepi zmanjšujejo nevarnost nenamernega zagona orodja.

1. Odstranite okrovno matico, nato odstranite pokrovno kapo z rotacijskega orodja in jo postavite na stran (Slika 2). Pokrovna kapa mora biti ponovno nameščena, ko se ne uporabljata tega dodatka. Ko je pokrovna kapa odstranjena, ponovno namestite okrovno matico.

Glej Sliko 2:

A Pokrovna kapa

2. Postavite orodje v dodatek stružnice z gumbom za zaklep osi obrnjenim naprej, kakor je prikazano (Slika 3).
3. Privijte montažno matico v smeri urinega kazalca na navojnem delu rotacijskega orodja in jo s priloženim montažnim ključem trdno privijte.

Glej Sliko 3:

A Montažni ključ

B Montažna matica

C Gumb za zaklep osi

NAVODILA ZA UPRAVLJANJE

POZOR: Ta dodatek bo priredil Dremel rotacijsko orodje v pogrezno stružnico za prostoročno struženje, oblikovanje robov, žlebljenje in krožne reze. Stružni dodatek je dokončno sestavljen, pripravljen za prostoročno ali struženje s pomočjo pilotnega stružila. Redno čiščenje in mazanje vodilnih drogov z mazivi bo ohranjalo tekoče pogrezno delovanje. Pritisnite in zaklenite pogrezno stružnico ter enakomerno nanosite nežen lubrikant (npr. petrolejski žele, olje za cvrčje) na zgornji del vodilnih drogov.



OPOZORILO Ta stružni dodatek ni namenjen za uporabo pod stružnico ali mizo za žaganje.

Specifikacije dodatka

Glej Sliko 4A.

VSTAVLJANJE REZILA REZKARJA

Stružila stružnice drži v orodju okrovni sistem. **Stružila se lahko namesti pred ali potem, ko je rotacijsko orodje nameščeno v dodatek.**

1. Pritisnite in držite gumb za zaklep osi, medtem ko vrčite okrovno matico in os. Nadaljujte z vrtenjem okrovne matice in osi vse dokler se ne sproži zaklep in zadrži os (Slika 4).
2. Uporabite ključ vašega Dremel rotacijskega orodja in obrnite okrovno matico v nasprotni smeri urinega kazalca zato, da jo sprostite.
3. Sprostite gumb za zaklep osi.
4. Vstavite rezilo rezkarja v okrov kolikor je možno globoko zato, da zagotovite primeren oprijem rezila in da minimizirate obrabo. Ne vstavite rezila tako daleč, da se žlebič rezila dotika okrova ali okrovne matice zato, da se izognete kršenju ali pokanju rezila. **OPOMBA:** *Nikoli ne postavite orodja z stružilom, ki štrli skozi bazo na zgornjem delu delovne mize ali delovne površine. Položite orodje na njegovo stranico ali potegnite stružilo nazaj pred nameščanjem na delovno mizo ali delovno površino. Predolgo stružilo lahko povzroči skakanje orodja.*
5. Ponovno aktivirajte gumb za zaklep osi in privijte okrovno matico; najprej z roko, nato z uporabo ključa vse dokler ni stružilo trdno pritrjeno.

Glej Sliko 4B:

A Ključ za okrovno matico

B Baza

C Okrovna matica

D Gumb za zaklep osi

NASTAVLJANJE GLOBINE REZKANJA

OPOMBA: Ko izvajate globoke reze, še posebno pogrezne reze stran od roba predmeta obdelave, je priporočljivo narediti nekaj zaporednih rezov stopnjujoče globine z uporabo prilagajanja globine in globinske skale boljše, kot pa da izvedete samo enojni globok rez. Meja globine se lahko nastavi na dve globini.

1. Postavite Dremel rotacijsko orodje in nastavek za potopno rezkanje na predmet obdelave.
2. Obrnite zgornjo matico za nastavljanje navzgor, spodnjo matico za nastavljanje navzdol tako, da je zadrževalo globine svobodno (Slika 5).

Glej Sliko 5:

A Zadrževalo globine

B Zgornja matica za nastavljanje

C Spodnja matica za nastavljanje

3. Sprostite zaklepni ročaj (Slika 6). Počasi spustite orodje dokler se stružilo ne dotakne predmeta obdelave.

Glej Sliko 6:

A Ročaj

B Sprostilni gumb

4. Privijte zaklepni ročaj za zaklep orodja na mestu.
5. Pritisnite in držite sprostilni gumb tako, da se zadrževalo globine dotika baze stružnice.

1. stružna globina

6. Obrnite zadrževalo pogreza navzgor tako, da je merilo X enako prvi željeni globini struženja (Slika 7).

OPOMBA: 1 obrat je enako 1,5 mm (.06")

Glej Sliko 7:

A Zadrževalo globine

B Zgornja matica za nastavljanje

7. Obrnite nos zgornje matice za nastavljanje navzdol proti okvirju stružnice.

2. globina rezkanja

8. Obrnite zadrževalo globine navzgor tako, da je merilo X enako drugi željeni globini rezkanja. Prepričajte se, da se zgornja matica za nastavljanje obrne skupaj z zadrževalom globine zato, da se dviga stran od okvirja rezkarja (Slika 8).

Glej Sliko 8:

A Zadrževalo globine

B Spodnja matica za nastavljanje

9. Obrnite nos spodnje matice za nastavljanje proti okvirju rezkarja.

OPOMBA: Zgornja matica za nastavljanje mora ostati stacionarna, ko privijate spodnjo matico za nastavljanje.

10. Pritisnite sprostilni gumb za izbiro 1. ali 2. globine rezkarja (Slika 9).

OPOMBA: Nastavitev globine struženja se mora preveriti s testnim rezom in po potrebi ponastaviti.

Glej Sliko 9:

A Sprostilni gumb

Ko je rezkanje zaključeno, sprostite ročaj in vrnite rezkar v zgornji položaj.

REZKANJE

Če rezkar težko kontrolira, se segreva, rezka počasi ali pušča nepopolne reze, upoštevajte naslednje vzroke:

- Napačna smer rezkanja – težko se kontrolira.
- Prehitro rezkanje – preobremenitev motorja.
- Topo rezkalo – preobremenitev motorja.
- Prevelik rez za en prehod – preobremenitev motorja.
- Prepočasno rezkanje – pušča ožganine na predmetu obdelave.

Rezkanje počasi in enakomerno (ne z uporabo sile). Hitro se boste naučili kako rezkalnik zveni in kako se jo čuti, ko deluje optimalno.

Hitrost rezkanja

Med struženjem ali podobnimi deli na lesu in plastiki, se najboljše rezultate dobi, če je globina reza in hitrost struženja takšna, da motor ves čas obratuje pri visoki hitrosti.

Stružite z zmerno hitrostjo. Mehki materiali zahtevajo višjo hitrost struženja, kakor trdi materiali.

Stružnica se lahko zaustavi, če je nepravilno uporabljena ali preobremenjena. Zmanjšajte hitrost struženja za preprečitev morebitne škode na orodju. Vedno se pred uporabo prepričajte, da je okovna matica trdno privita. Vedno uporabljajte stružilo stružnice z najkrajšo potrebno rezalno dolžino za dosego željenega reza. To bo minimiziralo obrabo stružila in ropotanje.

Oblikovanje robov

Ko oblikujete robove, vedno uporabljajte pilotna ali ravnalna stružila. Spodnji del pilotnega stružila je os brez rezalnih robov. Ravnalna vodila stružila imajo kroglične ležaje za vodenje stružila.

Pilot drsi vzdolž roba dela, medtem ko rotirajoča rezila režejo in s tem proizvajajo dekorativne robove. Rob po katerem drsi pilot bi moral biti popolnoma gladek glede na to, da se vse nepravilnosti prenašajo na oblikovalno površino.

Ko stružite predmet, ki zahteva oblikovanje robov na prečnih rezih, vedno stružite rob prečnega reza pred struženjem robov, ki sledijo rezu. To minimizira verjetnost poškodb zaradi pregrevanja na koncu prečnega reza.

Smer struženja

Gred stružnice se vrti v smeri urinega kazalca, če jo pogledamo od zgoraj. Za optimalno kontrolo in kvaliteto reza, stružite predmet obdelave v smeri tako, da bo stružilo "vleklo" v les. Nepravilna smer struženja bo povzročila, da bo stružilo poskušalo "zlesti" preko lesa. Z orodjem stružite v smeri prikazani tukaj. Če režete okoli robov kvadratnega predmeta, premikajte orodje v nasprotni smeri urinega kazalca. Če stružite notranje površine kakor prikazano, premikajte v smeri urinega kazalca (Slika 10).

OPOMBA: Smer struženja je izjemno pomembna pri prostoročni uporabi pilota stružila na robu predmeta obdelave.

Glej Sliko 10:

- A Smer struženja
- B Najprej stružiti konce prečnih rezov
- C Rotacija stružila

MONTAŽA ROBNEGA VODILA

Za uporabo robnega vodila, montirajte vodilne drogove na držalo orodja in jih pritrdite z uporabo (2) #10-24 kvadratnih matic in (2) čepov vodilnih drogov (Slika 11).

Kvadratne matice bodo zdrsle v utore nad vodilnimi drogovi. Čepe vodilnih drogov se namesti skozi luknje z zgornje strani navzdol, skozi matice in proti drogovom. Pritrdite robno vodilo na vodilne drogove z uporabo čepov robnega vodila in šesteroglavih matic.

Locirajte šesteroglave matice pod robnim vodilom in pritrdite s čepom robnega vodila na zgornji površini. Potisnite robno vodilo na vodilne

drogove, kakor prikazano. Nastavite robno vodilo na željeno razdaljo od stružnice in zategnite čepe robnega vodila. (Glej Sliko 11)

Robno vodilo se uporablja za oblikovanje robov, rezalnih utorov, opažov, zatičnih utorov, tračnic, rež in žlebičev. Ne pozabite na struženje tako, da stružnica vleče robno vodilo proti lesu. Konsistentna hitrost struženja omogoča gladke reze.

Na splošno, če želimo globok utor je potrebnih več plitvih rezov.

Maksimalna globina reza je odvisna od uporabljenega materiala. Ne preobremenjujte do točke, ko se motor občutno upočasni.

Glej Sliko 11:

- A Vijak za nastavljanje globine
- B Čep vodilnega droga
- C Kvadratne matice
- D Vodilni drogovi
- E Robno vodilo
- F Zaključni žebelj
- G Krožno vodilo
- H Šesteroglave matice
- I Čep robnega vodila

ROBNO VODILO

Namestitvev

1. Namestite robno vodilo na namestitvene bloke pogrezne stružnice (Slika 12).

Glej sliko 12:

- A Namestitveni bloki
- B Robno vodilo

2. Namestite vzporedno vodilo proti delovni površini s stružilom v željenem položaju.
3. Privijte vijake.

Struženje z robnim vodilom

Potisnite ploščato stran robnega vodila vzdolž delovne površine.

KROŽNO VODILO

Stružilni loki in krogi

1. Odstranite robno vodilo in namestite okvir krožnega vodila na vodilne drogove (Slika 13).

Glej Sliko 13:

- A Zaključni žebelj
- B Robno vodilo

2. Za orientacijsko točko uporabite zaključni žebelj. Nastavite krožno vodilo na željen premer.
3. Namestite žebelj skozi luknjo v vodilu in ga postavite na sredino željenega premera rezanja.

ŠABLONE

Z uporabo šablonskih vzorcev lahko večkrat ponovno oblikujete enake dizajne ali črke. Ta tehnika zahteva uporabo vodilnih ležajnih blazin.

VODILNE LEŽAJNE BLAZINE

Vodilna ležajna blazina prikazana na (Slika 14) je dejansko plošča z obročem, ki se jo vstavi v luknjo v bazi kakor je prikazano in je zavarovana z navitjem čepa ležajne blazine na vrh vodila ležajne blazine. Vodilo ležajne blazine se pomika vzdolž roba šablone, medtem ko stružilo, prodirajoče s spodnje strani, reže v predmet.

Glej Sliko 14

- A Čep ležajne blazine
- B Vodilo ležajne blazine
- C Baza

POZOR: Prepričajte se, da je debelina šablone enaka ali večja, kot dolžina ležajne blazine, ki štrli pod bazo.

Ne uporabljajte stružila, ki se lahko dotika notranjosti obroča. Izberite stružilo, ki je vsaj 2 mm manjšega premera.

Dodatno, posebne šablone se z lahkoto pripravi za rezanje ponavljajočih vzorcev, posebnih dizajnov, vložkov in drugih aplikacij. Šablonski vzorec se lahko izdelava iz vezanega lesa, lesonita, kovine ali celo plastike, izreže pa se ga lahko s stružnico, žago ali drugim primernim rezalnim orodjem.

Ne pozabite, da mora biti vzorec narejen tako, da kompenzira razdaljo med stružilom stružnice in vodilom ležajne blazine ("kompenzacija"), saj se bo zaradi položaja stružila končni predmet obdelave razlikoval v velikosti od šablonskega vzorca v takšni meri (Slika 15).

Glej Sliko 15:

- A Stružilo stružnice
- B Okrovnna matica
- C Vodilo ležajne blazine
- D Baza
- E Šablonski vzorec
- F Predmet obdelave
- G Kompenzacija

PROSTOROČNO STRUŽENJE

Mnoge efekte se lahko doseže z uporabo prostoročnega struženja s stružilom z majhnim premerom. Običajno se s svinčnikom skicira željen vzorec na predmet obdelave in se linije svinčnika uporablja kot vodilo.

SERVIS IN GARANCIJA

Ta izdelek DREMEL je zajamčeno skladen z zakonodajo/nacionalnimi predpisi; poškodbe zaradi normalne obrabe, preobremenitve ali nepravilnega rokovanja so izključene iz garancije.

V primeru reklamacije pošiljite *nerazstavljeno* orodje s priloženim računom svojemu trgovcu.

KONTAKTNE INFORMACIJE ZA DREMEL

Za več informacij o ponudbi Dremel, podporo in pomoč obiščite www.dremel.com.

Dremel Europe, P.O. Box 3267, 4800 DG Breda, Nizozemska

VISPĀRĒJIE DROŠĪBAS NOTEIKUMI



UZMANĪBU UZMANĪGI IZLASIET VISUS NOTEIKUMUS.

Turpmākajā izklāstā sniegto noteikumu neievērošana var izraisīt aizdegšanos un būt par cēloni elektriskajam triecienam un/vai nopietnam savainojumam. Turpmākajā izklāstā lietotais apzīmējums "elektroinstrumenti" attiecas uz šo no elektrotīkla darbināmo elektroinstrumentu (ar elektrisko vadu).

PĒC IZLASIŠANAS SAGLABĀJIET LIETOŠANAS PAMĀCĪBU

DARBA VIETA

- a. Sekojiet, lai darba vieta būtu tīra un labi apgaismota. *Nekārtīgā darba vietā un sliktā apgaismojumā var viegli notikt nelaimes gadījums.*
- b. Nelietojiet elektroinstrumentu sprādzienbīstamā vai ugunsnedrošu vielu tuvumā un vietās ar paaugstinātu gāzes vai putekļu saturu gaisā. *Elektroinstrumenti darba laikā nedaudz dzirksteļo, un tas var izsaukt viegli degošu putekļu vai tvaiku aizdegšanos.*
- c. Lietojot elektroinstrumentu, neļaujiet bērniem un citām nepiederošām personām tuvoties darba vietai. *Citu personu klātbūtnē var novērst uzmanību, kā rezultātā jūs varat zaudēt kontroli pār elektroinstrumentu.*

ELEKTRODROŠĪBA

- a. Elektroinstrumenta kontaktakšai jābūt piemērotai elektrotīkla kontaktligzdai. Kontaktakšas konstrukciju nedrīkst nekādā veidā mainīt. Nelietojiet kontaktakšas salāgotājus, ja elektroinstrumenti caur elektrisko vadu tiek savienoti ar aizsargzņēmuma ķēdi. *Neizmainītas konstrukcijas kontaktakša, kas piemērota kontaktligzdai, ļauj samazināt elektriskā trieciena saņemšanas risku.*
- b. Darba laikā nepieskarieties saņemtiem priekšmetiem, piemēram, caurulēm, radiatoriem, plītiem vai ledusskapjiem. *Ļūderis daļām pieskaroties saņemtiem virsmām, pieaug risks saņemt elektrisko triecienu.*
- c. Nelietojiet elektroinstrumentu lietus laikā, neturiet to mitrumā. *Mitrumam iekļūstot instrumentā, pieaug risks saņemt elektrisko triecienu.*
- d. Nenoslēgiet elektrisko vadu. Nelietojiet elektrisko vadu elektroinstrumenta pārņemšanai un piekāršanai, neraujiet aiz tā, ja vēlaties atvienot elektroinstrumentu no elektrotīkla kontaktligzdas. Sargājiet elektrisko vadu no karstuma, eļļas, asām šķautnēm un elektroinstrumenta kustīgajām daļām. *Bojāts vai samezģojies elektriskais vads paaugstina elektriskā trieciena risku.*
- e. Darbinot elektroinstrumentu ārpus telpām, izmantojiet pagarinātājkabeļus, kas ir piemēroti lietošanai ārpus telpām. *Lietojot pagarinātājkabeļus, kas piemēroti darbam ārpus telpām, samazinās risks saņemt elektrisko triecienu.*
- f. Ja elektroinstrumentu tomēr nepieciešams lietot vietās ar paaugstinātu mitrumu, izmantojiet tā pievienošanai noplūdes strāvas aizsargreleju. *Lietojot noplūdes strāvas aizsargreleju, samazinās risks saņemt elektrisko triecienu.*

PERSONĪGĀ DROŠĪBA

- a. Strādājot ar elektroinstrumentu, saglabājiet paškontroli un rīkojieties saskaņā ar veselo saprātu. Pārtrauciet darbu, ja jūtaties noguris vai atrodaties alkohola, narkotiku vai medikamentu izraisītā reibumā. *Strādājot ar elektroinstrumentu, pat viens neuzmanības mirklis var būt par cēloni nopietnam savainojumam.*
- b. Izmantojiet individuālos darba aizsardzības līdzekļus. Darba laikā vienmēr nesājiēt aizsargbrilles. *Tādu darba aizsardzības līdzekļu, kā putekļu aizsargmaskas, neslidošu apavu un aizsargķiveres vai ausu aizsargu pielietošana atbilstoši elektroinstrumenta tipam un veicamā darba raksturam ļauj izvairīties no savainojumiem.*
- c. Nepieļaujiet elektroinstrumenta patvaļīgu ieslēgšanos. Pirms elektroinstrumenta pievienošanas elektrotīklam pārliecinieties, ka tā slēdzis atrodas stāvoklī "Izslēgts". *Pārnēsot elektroinstrumentu ar pirkstu uz slēdža vai pievienojot ieslēgtu elektroinstrumentu elektrotīklam, viegli var notikt nelaimes gadījums.*

LV

- d. Pirms elektroinstrumenta ieslēgšanas neaizmirstiet ņemt no tā regulējosos instrumentus vai atslēgas. *Patronatslēga vai skrūvjatslēga, kas elektroinstrumenta ieslēgšanas brīdī ir ievietota tā rotējošajās daļās, var radīt savainojumu.*
- e. Strādājot ar elektroinstrumentu, ieturiet stingru stāju. *Darba laikā vienmēr saglabājiet līdzsvaru un centieties nepaslidēt. Tas atvieglo elektroinstrumenta vadīšanu neparedzētās situācijās.*
- f. Izvēlieties darbam piemērotu apģērbu. *Darba laikā nenēsājiet brīvi plandošas drēbes un rotaslietas. Sargājiet matus, apģērbu un aizsargcimdus no elektroinstrumenta kustīgajām daļām. Tajās var iekerties vaļiņas drēbes, rotaslietas un gari mati.*
- g. Ja elektroinstrumenta konstrukcija ļauj tam pievienot ārējo putekļu uzsūkšanas vai savākšanas/uzkrāšanas ierīci, sekojiet, lai šāda ierīce tiktu pievienota un pareizi darbotos. *Pielietojot minētās ierīces, samazinās putekļu kaifiņā ietekme uz lietotāja veselību.*
- h. **Neapstrādājiet materiālus, kas satur azbestu** (azbests tiek uzskatīts par vēža izraisītāju).
- i. **Ja darba gaitā var izdalīties veselībai kaitīgi, ugunsnedroši vai sprādzienbīstami putekļi** (dažu materiālu putekļi var izraisīt vēzi), nēsājiet putekļu aizsargmasku un pielietojiet putekļuskaidu uzsūkšanu, ja elektroinstrumenta konstrukcija ļauj tam pievienot vakuumsūkšanas ierīci.

ELEKTROINSTRUMENTA LIETOŠANA UN APKOPE

- a. Nepārslogojiet elektroinstrumentu. Katram darbam izvēlieties piemērotu elektroinstrumentu. *Elektroinstruments darbojas labāk un drošāk pie nominālās slodzes.*
- b. Nelietojiet elektroinstrumentu, ja ir bojāts tā slēdzis. *Elektroinstruments, ko nevar ieslēgt un izslēgt, ir bīstams lietošanai, un to nepieciešams remontēt.*
- c. Pirms regulēšanas, darbinstrumenta nomaīņas vai novietošanas uzglabāšanai atvienojiet elektroinstrumentu no elektrotīkla. *Šāds drošības pasākums ļauj samazināt elektroinstrumenta nejausās ieslēgšanās risku.*
- d. Elektroinstrumentu, kas netiek darbināts, uzglabājiet vietā, kur tas nav sasniedzams bērniem un personām, kuras neprot rīkoties ar instrumentu vai nav iepazinušās ar šo lietošanas pamācību. *Elektroinstrumenti nekompetentu personu rokās ir bīstami.*
- e. Rūpīgi veiciet elektroinstrumenta apkalpošanu. Pārbaudiet, vai kustīgās daļās ir labi salāgotas un nav iespīlētas, vai kāda no daļām nav bojāta un vai nepastāv kādi citi apstākļi, kas varētu ietekmēt elektroinstrumenta normālu darbību. Atklājot bojājumus, pirms elektroinstrumenta lietošanas nodrošiniet tam vajadzīgo remontu. *Daudzi nelaimes gadījumu cēloņi ir elektroinstrumenta nepietiekama apkalpošana.*
- f. Savlaicīgi notīriet un uzasiniet griezošos darbinstrumentus. *Rūpīgi kopti darbinstrumenti ar asām griezējšķautnēm retāk iestrēgst un ļauj vieglāk vadīt elektroinstrumentu.*
- g. Lietojiet elektroinstrumentu, papildpiederumus, darbinstrumentus utt. atbilstoši šeit sniegtajiem norādījumiem un attiecīgajam elektroinstrumentam paredzētajā veidā, ņemot vērā apstākļus un veicamā darba raksturu. *Elektroinstrumenta lietošana mērķiem, kuriem tas nav paredzēts, ir bīstama un var novest pie neparedzamām sekām.*

APKALPOŠANA

- a. Nodrošiniet, lai elektroinstrumenta apkalpošanu veiktu kvalificēts personāls, nomaīnai izmantojot vienīgi identiskas rezerves daļas. *Tas ļauj saglabāt nepieciešamo darba drošības līmeni, strādājot ar elektroinstrumentu.*

DARBA DROŠĪBAS NOTEIKUMI VIRSFRĪZĪ

VISPĀRĪJIE DROŠĪBAS NOTEIKUMI

- Šo instrumentu nedrīkst izmantot personas, kas jaunākas par 16 gadiem.

- Pirms instrumenta regulēšanas vai palīgpiederumu nomaīņas atvienojiet to no barojošā elektrotīkla.

PAPILDPIEDERUMI

- Lietojiet tikai tādus darbinstrumentus, kuru pieļaujama darbības ātrums ir vismaz tikpat liels, kā instrumenta maksimālais tukšgaitas ātrums.
- Nelietojiet bojātus vai deformētus darbinstrumentus (frēzes).
- Lietojiet tikai asas frēzes.
- Sargājiet darbinstrumentus no triecieniem, sītienu un smērvielām.

PIRMS DARBA UZSĀKŠANAS

- Izvaieties no instrumenta bojājumiem, kurus var izsaukt apstrādājamajā priekšmetā esošās skrūves, naglas vai citi līdzīgi objekti; tādēļ pirms darba uzsākšanas atbrīvojiet apstrādājamo materiālu no šādiem priekšmetiem.
- Sekojiet, lai elektrotīkla spriegums atbilstu instrumenta marķējuma plāksnītē uzrādītajai sprieguma vērtībai (230V vai 240V spriegumam paredzētie instrumenti var darboties arī no 220V elektrotīkla).
- Nostipriniet apstrādājamo priekšmetu, ja paša svars tam nendrošina pietiekošu stabilitāti.
- Materiāla (piemēram, svina saturošas krāsas, dažu koka šķirņu, minerālu un metāla) putekļi var būt kaitīgi (saskare ar putekļiem vai to ieelpošana var izraisīt alerģiskas reakcijas un/vai elpceļu saslimšanas operatoram vai klātesošajiem); izmantojiet putekļu masku un putekļu nosūcēju, ja to iespējams pieslēgt.
- Ievērojiet ar putekļu savākšanu saistītos nacionālos noteikumus, kas attiecas uz apstrādājamo materiāliem.
- Pirms instrumenta pievienošanas elektrotīklam pārliecinieties, ka tā ieslēdzējs ir izslēgtā stāvoklī.

DARBA LAIKĀ

- Darba laikā sekojiet, lai elektrokabelis atrastos drošā attālumā no instrumenta kustīgajām daļām; stieptos prom no darba vietas virzienā uz aizmuguri.
- Neizmantojiet instrumentu, ja ir bojāts tā elektrokabelis vai pamatne (aizsargs); to nomaīņu drīkst veikt tikai pieredzējis speciālists.
- Darba laikā netuviniet rokas rotējošajam darbinstrumentam (frēzei).
- Elektriska vai mehāniska rakstura kļūmes gadījumā nekavējoties izslēdziet instrumentu un atvienojiet kabeļa kontaktdakšu no elektrotīkla.
- Ja darba laikā iesprūst frēze, kā rezultātā instruments sāk darboties rāvienveidīgi, nekavējoties izslēdziet to.
- Ja darba laikā pārrūkst elektrobarošanas padeve vai elektrokabeļa kontaktdakša nejausi atvienojas no elektrotīkla, nekavējoties izslēdziet instrumentu, lai nodrošinātos pret tā patvaļīgu ieslēgšanos.
- Nepārslogojiet instrumentu līdz tādi pakāpei, ka tās darbavārpsta tiek pilnīgi nobremzēta.

APKĀRTĒJĀ VIDE

ATBRĪVOŠANĀS NO NOLIETOTAJIEM IZSTRĀDĀJUMIEM

Elektroinstruments, tā piederumi un iesaiņojuma materiāli ir jāsašķiro, sagatavojot tos atbilstoši pārstrādei apkārtējai videi nekaitīgā veidā.

TIKAI ES VALSTĪM



Neizmetiet nolietotos elektroinstrumentus sadzīves atkritumu tvērtņē!
Saskaņā ar Eiropas Savienības direktīvu 2002/96/ES par nolietotajām elektriskajām un elektroniskajām ierīcēm un šīs direktīvas atspoguļojumiem nacionālajā likumdošanā, lietošanai nederīgie elektroinstrumenti jāsavāc, jāizjauc un jānodod otrreizējai pārstrādei apkārtējai videi nekaitīgā veidā.

PRAKTISKI PADOMI

- Izmantojiet darba uzdevumam atbilstošus darbinstrumentus (frēzes).
- Lai veiktu frēzēšanu paralēli apstrādājamā priekšmeta malai, izmantojiet paralēlo atduri.
- Lai veidotu paralēlos frēzējumu tālu no apstrādājamā priekšmeta malas, rīkojieties šādi:
 - ar divu piespiedējspūļu palīdzību nostipriniet uz apstrādājamā priekšmeta taisnu koka listi.
 - frēzēšanas laikā virziet virsfrēzes pamatni gar nostiprinātās listes malu, kas šajā gadījumā izpilda paralēlās vadotnes lomu.
- Pasargājiet sevi no vibrācijas ietekmes, veicot instrumenta un tā piederumu tehnisko apkopi, gādājot, lai rokas ir siltas, un organizējot darba gaitu.

VADĪBAS ELEMENTI

Sk. 1. attēlu:

- A Dremel frēze
- B Ātruma regulēšana
- C Montāžas atslēga un vieta glabāšanai
- D Rokturis (pagrieziet, lai nobloķētu)
- E Vieta spīžokļa uzgriežņu atslēgai (atslēga nav iekļauta komplektācijā)
- F Dziļuma skala (britu/metriskā)
- G Malas vadotne
- H Aplā vadotne
- I Ass bloķēšanas poga
- J Rokturis (nekustīgs)
- K Iestatīšanas uzgrieznis, apakšējais
- L Dziļuma ierobežotājs
- M Iestatīšanas uzgrieznis, augšējais
- N Palaišanas poga

SALIKŠANA

IEGRIEŠANAS FRĒZMAŠĪNAS PAPILDPIEDERUMU PIEVIENOŠANA JŪSU INSTRUMENTAM

PAPILDPIEDERUMI, KAS PAREDZĒTI LIETOŠANAI AR DREMEL FRĒZES MODEĻIEM NR. 300, 395, 398, 400, 4000.

UZMANĪBU Pirms pielāgojat instrumentu vai maināt tā detaļas, atvienojiet kontaktdakšu no strāvas avota. Šādi drošības pasākumi mazina iespējamību netīšām ieslēgt frēzi.

- Ņemiet spīžokļa uzgriezni, pēc tam ņemiet frēzes korpusa vāciņu un nolieciet to malā (2. attēls). Kad šī papildierīce netiek lietota, uzlieciet tai vāciņu. Kad vāciņš ir ņemts, uzlieciet spīžokļa uzgriezni.

Sk. 2. attēlu:

- A Korpusa vāciņš

- Ielieciet instrumentu frēzes papildierīcē tā, lai ass bloķēšanas poga būtu priekšpusē, kā tas parādīts (3. att.).
- Uzskrūvējiet iestatīšanas uzgriezni pulksteņa rādītāju kustības virzienā uz frēzes viļnes un, izmantojot komplektācijā iekļauto montāžas atslēgu, cieši to pievelciet.

Sk. 3. attēlu:

- A Montāžas atslēga
- B Iestatīšanas uzgrieznis
- C Ass bloķēšanas poga

LIETOŠANAS NORĀDĪJUMI

UZMANĪBU: Ar šo papildierīci varēsiet izmantot Dremel frēzi kā iegriešanas frēzi ar roku vadāmā frēzēšanai, apmalošanai, gropēšanai un riņķveida frēzēšanai. Frēzes papildierīce ir nokomplektēta un salikta tā, lai tūlīt varētu frēzēt, vadot to ar rokām vai izmantot veidfrēzes. Regulāri tirot un ieeļļojot vadstatņus, griešana būs vienmērīgāka. Nospiediet un nobloķējiet frēzi un vienmērīgi ieziediet vadstatņu augšējo daļu ar zemas viskozitātes smērvielu (piem., naftas vazelinu, cepamo eļļu).

UZMANĪBU Šī frēzes papildierīce nav paredzēta lietošanai ar frēzi vai nogriešanas frēzmašīnu.

Papildpiederumu specifikācijas

Sk. 4. A attēlu:

VEIDFRĒŽU IEVIETOŠANA

Veidfrēzes tiek iestiprinātas spīžokļa mehānismā. **Veidfrēzi var uzstādīt pirms vai pēc tam, kad frēze ir pievienota papildierīcei.**

- Griežot spīžokļa uzgriezni un asi, turiet nospiestu ass bloķēšanas pogu. Grieziet spīžokļa uzgriezni un asi, līdz mehānisms nobloķējas un ass tiek fiksēta (4. att.).
- Izmantojot Dremel frēzes atslēgu, grieziet spīžokļa uzgriezni pretēji pulksteņa rādītāju kustības virzienam, lai to padarītu vaļīgāku.
- Atļaidiet ass bloķēšanas pogu.
- Lai nodrošinātu ciešu veidfrēzes satveri un mazinātu uzslīdēšanas risku, pēc iespējas dziļāk ievietojiet veidfrēzi spīžoklī. Lai veidfrēzē nerastos plaisas vai bojājumi, nelieciet to tik dziļi, lai tās rievās saskartos ar spīžokli vai spīžokļa uzgriezni.

PIEZĪME. Nekad neatstājiet uz darbgalda vai darba virsmas instrumentu, kuram no pamatnes ir izvirzīta veidfrēze. Pirms likat instrumentu uz darbgalda vai darba virsmas, nolieciet to uz sāna vai izņemiet veidfrēzi. Izvirzītas veidfrēzes dēļ instrumenta darbība var būt nevienmērīga.

- Nospiediet ass bloķēšanas pogu un pievelciet spīžokļa uzgriezni; vispirms ar roku, pēc tam ar atslēgu, līdz veidfrēze ir cieši fiksēta.

Sk. 4. B attēlu:

- A Spīžokļa uzgriežņu atslēga
- B Pamatne
- C Spīžokļa uzgrieznis
- D Ass bloķēšanas poga

FRĒZĒŠANAS DZIĻUMA REGULĒŠANA

PIEZĪME. Veidojot dziļas gropes tālu no apstrādājamās detaļas malas, it īpaši, frēzējot ar iegriešanas frēzi, vispirms ieteicams, izmantojot dziļuma regulētāju un dziļuma skalu, vienu pēc otra izveidot vairākus dziļākus griezumus, nevis tūlīt veidot vienu dziļu gropi. Dziļuma ierobežotāju var pielāgot diviem dažādiem dziļumiem.

- Novietojiet Dremel frēzi un tās piederumus uz apstrādājamās detaļas.

2. Pagrieziet augšējo iestatīšanas uzgriezni uz augšu, un apakšējo iestatīšanas uzgriezni uz leju tā, lai dzīluma ierobežotāju varētu brīvi kustināt. (5. att.).

Sk. 5. attēlu:

- A** Dzīluma ierobežotājs
B Augšējais iestatīšanas uzgrieznis
C Apakšējais iestatīšanas uzgrieznis

3. Atbrīvojiet bloķēšanas rokturi (6. att.). Lēnām laidiet instrumentu uz leju, līdz veidfrēze pieskaras apstrādājamajai detaļai.

Sk. 6. attēlu:

- A** Rokturis
B Palaišanas poga

4. Pievelciet bloķēšanas rokturi, lai fiksētu instrumentu pareizajā vietā.
5. Turiet nospiestu palaišanas pogu, lai dzīluma ierobežotājs pieskartos frēzes pamatnei.

1. frēzēšanas dziļums

6. Pagrieziet dzīluma ierobežotāju uz augšu tā, lai X mērījums būtu vienāds ar 1. vēlamu frēzēšanas dziļumu (7. att.).
PIEZĪME. 1 pagrieziena atbilst 0,06" (1,5 mm)

Sk. 7. attēlu:

- A** Dzīluma ierobežotājs
B Augšējais iestatīšanas uzgrieznis

7. Pagrieziet augšējo iestatīšanas uzgriezni uz leju tā, lai tas cieši piekļautos frēzes korpusam.

2. frēzēšanas dziļums

8. Pagrieziet dzīluma ierobežotāju uz augšu tā, lai X mērījums būtu vienāds ar 2. vēlamu frēzēšanas dziļumu. Raugieties, lai augšējais iestatīšanas uzgrieznis grieztos kopā ar dzīluma ierobežotāju, prom no frēzes korpusa (8. att.).

Sk. 8. attēlu:

- A** Dzīluma ierobežotājs
B Apakšējais iestatīšanas uzgrieznis

9. Pagrieziet apakšējo iestatīšanas uzgriezni uz augšu tā, lai tas cieši piekļautos frēzes korpusam.

PIEZĪME. Pielāgojot apakšējo iestatīšanas uzgriezni, augšējam iestatīšanas uzgriežnim jābūt nekustīgam.

10. Lai atlasītu 1. vai 2. frēzēšanas dziļumu, nospiediet palaišanas pogu (9. att.).

PIEZĪME. Katra frēzēšanas dziļuma piemērotība būtu jāpārbauda ar izmēģinājuma griezumumu, un, ja nepieciešams, dziļums jāiestata vēlreiz.

Sk. 9. attēlu:

- A** Palaišanas poga

Kad frēzēšana pabeigta, atlaidiet rokturi vaļīgāk, un novietojiet frēzi augšējā pozīcijā.

FRĒZES GRIEŠĀNĀS

Ja frēze ir grūti vadāma, uzkarst, ļoti lēni darbojas vai veido nelīdzenu griezumumu, iespējams, tas ir šādu iemeslu dēļ:

- nepareizs griešanās virziens – to grūti vadīt,
- griežas pārāk ātri – motors tiek pārslodgots,
- trula veidfrēze – motors tiek pārslodgots,

- vienai reizei pārāk liels griezumums – motors tiek pārslodgots,
- griežas pārāk lēni – uz apstrādājamās detaļas paliek berzes pēdas.

Griezumus veidojiet vienmērīgi un stingri (pārlietu nespiediet). Drīz iemācīsities pēc izjūtas un frēzes skaņām atšķirt, kad tā darbojas visoptimālāk.

Griešanās ātrums

Frēzējot koku un plastmasu vai veicot ar frēzēšanu saistītus darbus, labāko rezultātu iegūsit, ja pielāgosit frēzēšanas dziļumu un griešanās ātrumu tā, lai motors darbotos optimālā ātrumā.

Izvēlieties vidēju frēzes griešanās ātrumu. Mīksti materiāli jāfrēzē ar mazāku frēzes griešanās ātrumu nekā cieti materiāli.

Pārslodgojot vai nepareizi lietojot frēzi, tā var apstāties. Lai novērstu iespējamos instrumenta bojājumus, samaziniet frēzes griešanās ātrumu. Pirms lietošanas vienmēr pārliedziniet, vai spīžokļa uzgrieznis ir cieši piegriezts. Lai izveidotu vēlamus griezumumus, ar veidfrēzēm vienmēr griežiet pēc iespējas īsākus attālumus. Tādējādi mazināsiet veidfrēzes izslīdēšanas un izkustēšanas risku.

Malu veidošana

Veidojot malas, vienmēr izmantojiet vadāmas veidfrēzes vai veidfrēzes ar lodīšu vadotni. Vadāmās uzliekamās veidfrēzes apakšējā daļā ir ass bez griežējšķautnēm. Veidfrēzēm ar lodīšu vadotni ir lodīšu gultnis, kas vada frēzi.

Vadotnei slīdot gar darbvirsmas malu, rotējošie asmeņi griež un veido dekoratīvas malas. Malai, gar kuru slīd vadotne, jābūt ideāli līdzenai, jo visi nelīdzenumi ietekmē veidojamo virsmu.

Frēzējot apstrādājamo detaļu, kurai jāveido gala virsma, vispirms frēzējiet gala virsmu un pēc tam pārējās malas. Tādējādi mazināsiet iespēju sabojāt gala virsmu, ja frēzējot kas neizdosies.

Frēzes griešanās virziens

Skatoties uz frēzi no augšas, tās vārsta griežas pulsteņa rādītāju kustības virzienā. Lai nodrošinātu labāku vadību un griezuma kvalitāti, ar instrumentu iegrieziet darbvirsmā tādā virzienā, lai veidfrēze ieurbtos kokā. Izvēlieties nepareizu griešanās virzienu, veidfrēze spruks ārā no koka.

Izmantojiet šeit norādītos griešanās virzienus. Ja griežat kantainas darbvirsmas malas, virziet instrumentu pretēji pulksteņa rādītāju kustības virzienam. Ja frēzējat iekšējās virsmas, kā parādīts attēlā, virzieties pulksteņa rādītāju kustības virzienā (10. att.).

PIEZĪME. Griešanās virziens ir ļoti svarīgs, darbvirsmas malu frēzēšanai izmantojot vadošo, ar roku vadāmo veidfrēzi.

Sk. 10. attēlu:

- A** Frēzes griešanās virziens
B Vispirms frēzēt gala virsmas
C Veidfrēzes griešanās virziens

MALAS VADOTNES SALIKŠANA

Lai izmantotu malas vadotni, lietojot (2) #10-24 kvadrātuzgriežņus un (2) vadstieņu rokturus (11. att.), piestipriniet vadstieņus pie instrumentu turētāja un fiksējiet to.

Kvadrātuzgriežņi jāievieto atverēs virs vadstieņiem. Vadstieņu rokturi no augšas jāievieto atverēs, no apakšas ar uzgriežņiem jānostiprina pie stieņiem. Piestipriniet malas vadotni pie vadstieņiem, izmantojot malas vadotnes rokturus un sešstūra uzgriežņus.

Palieciet sešstūra uzgriežņus zem malas vadotnes un nostipriniet tos, izmantojot malas vadotnes rokturi, kas atrodas virs malas vadotnes. Pavirziet malas vadotni uz vadstieņiem, kā parādīts attēlā. Iestatiet malas vadotni vēlamajam attālumam no griezēja un pievelciet malas vadotnes rokturus. (Sk. 11. att.)

Malas vadotni izmanto, veidojot malas, griežot dažāda veida gropes, veidojot ligzdas, rēdes, rievās, atveres un noaplojumus. Vienmēr izvēlieties griešanās virzienu tā, lai griežējs viltku malas vadotni pa koku. Ar nemainīgu griešanās ātrumu, veidojas līdzens griezumus.

Vispār, ja vēlaties izveidot dziļu griezumus, vispirms būtu jāizgriež vairākas ne tik dziļas gropes. Maksimālais griezuma dziļums ir atkarīgs no izmantotā materiāla. Negrieziet tik dziļi, ja motora darbība kļūst jūtami lēnāka.

Sk. 11. attēlu:

- A Dziļuma pielāgošanas skrūve
- B Vadstieņa rokturis
- C Kvadrātuzgriezņņi
- D Vadstieņņi
- E Malas vadotne
- F Apdares nagla
- G Aplņa vadotne
- H Sešstūra uzgriezņņis
- I Malas vadotnes rokturis

MALAS VADOTNE

Uzstādīšana

1. Piestipriniet malas vadotni pie iegriešanas frēzes stiprinājuma elementiem (12. att.).

Sk. 12. attēlu:

- A Stiprinājuma elementi
- B Malas vadotne

2. Novietojiet vadotni paralēli darba virsmā, iestatot veidfrēzi vēlamajā pozīcijā.
3. Pievelciet ausainos uzgriezņņus.

Frēzēšana ar malas vadotni

Virziet plakano malas vadotnes malu gar darba virsmu.

APĻA VADOTNE

Frēzēšanas loki un aplņi

1. Noņemiet malas vadotni un pievienojiet vadstieņņiem aplņa vadotnes skavu. (13. att.).

Sk. 13. attēlu:

- A Apdares nagla
- B Malas vadotne

2. Izmantojiet komplektācijā iekļauto apdares naglu kā atskaites punktu. Iestatiet aplņa vadotni vēlamajā rādīšņā.
3. Ievietojiet naglu aplņa vadotnes atverē un nolieciet to griešanas aplņa centrā, kuram izvēlējaties rādīšņus.

VEIDNES

Izmantojot šablonus, varat atkārtoti veidot vairākus vienādus rakstus vai burtus. Šai tehnikai jāizmanto vadīkla.

VADĪKLAS

Vadīkla, kas redzama attēlā (14. att.), ir plāksnīte ar blīvējumu, kas ir ievietota pamatnes atverē, kā parādīts attēlā, un nostiprināta, ieliekot iemavu vadošajā ielīktnī. Vadīkla virzās gar veidnes malu, kamēr izvīzītā veidfrēze apakšā griež darba virsmu.

Sk. 14. attēlu:

- A Vadīklas iemava
- B Vadīkla
- C Pamatne

UZMANĪBU: pārliecinieties, ka veidnes biežums ir tāds pats vai lielāks nekā zem pamatnes izvīzītās vadīklas garums.

Neizmantojiet veidfrēzi, kas varētu saskarties ar blīvējumu. Atlasiet veidfrēzi, kuras diametrs ir mazāks vismaz par 2 mm.

Turklāt ir viegli sagatavot īpašas veidnes, lai vēlreiz grieztu tos pašus rakstus, veidotu īpašas kompozīcijas, inkrustācijas un citus veidojumus. Rakstu veidnes var izgatavot no finiera, kokšķiedras plates, metāla vai pat plastmasas, turklāt rakstus var izgriezt, izmantojot frēzi, finierzāģīti vai citu piemērotu griešanas instrumentu.

Nemiet vērā, ka raksts ir jāveido tā, lai kompensētu attālumu starp veidfrēzi un vadīklu („nobīdi”), jo veidfrēzes pozīcijas dēļ detaļās izmērs atšķirsies no veidnes raksta par iepriekš norādīto vērtību (15. att.).

Sk. 15. attēlu:

- A Veidfrēze
- B Spīļžokļa uzgriezņņis
- C Vadīkla
- D Pamatne
- E Veidnes raksts
- F Apstrādājamā detaļa
- G Nobīde

FRĒZĒŠANA AR ROKAS FRĒZI

Izmantojot rokas frēzi ar maza diametra veidfrēzēm, var panākt daudz dažādu efektu. Parasti meistars ar zīmuli uzzīmē kontūru vai rakstu, ko vēlas iestrādāt, un vadās pēc zīmula līnijas.

APKALPOŠANA UN GARANTĪJA

Šim firmas DREMEL izstrādājumam ir noteikta garantija atbilstoši spēkā esošajai starptautiskajai un nacionālajai likumdošanai. Garantija neattiecas uz bojājumiem, kuru cēlonis ir elektroinstrumenta normāla nolietošāšanās, pārslodze vai nepareiza apiešāšanās ar to.

Rodoties pretenzījām, nosūtiet elektroinstrumentu *neizjauktā veidā* uz tuvāko specializēto tirdzniecības vietu kopā ar iegādes datumu apliecināšņo dokumentu.

KONTAKTI AR FIRMU DREMEL

Lai saņemtu sīkāku informāciju par firmas Dremel izstrādājumu sortimentu, lietotāju atbalstu un konsultāciju tālruna numuru, atveriet datortīkļa vietni www.dremel.com

Dremel Europe, P.O. Box 3267, 4800 DG Breda, Nīderlande

OPĀE SIGURNOSNE UPUTE

HR



⚠ UPOZORENJE

SVE UPUTE TREBA PROČITATI.

Nepoštāvanje dolje navedenih uputa

može uzrokovati električni udar, požar i/ili teške ozljede. U daljnjem tekstu korišten pojam „Električni alat“ odnosi se na električne alate s priključkom na električnu mrežu (s mrežnim kablom).

SAČUVAJTE OVE UPUTE

RADNO MJESTO


- a. Održavajte vašę radno mjesto čistim i urednim. *Nered i neosvijetljeno radno područje mogu dovesti do nezgoda.*
- b. Ne radite s uredajem u okolini ugroženoj eksplozijom, u kojoj se nalaze zapaljive tekućine, plinovi ili prašina. *Električni alati proizvode iskre koje mogu zapaliti prašinu ili pare.*

- c. Tijekom uporabe električnog alata djecu i ostale osobe držite dalje od mjesta rada. U slučaju skretanja pozornosti mogli bi izgubiti kontrolu nad uređajem.

ELEKTRIČNA SIGURNOST

- a. Priklučni utikač uređaja mora odgovarati utičnici. Na utikaču se ni na koji način ne smiju izvoditi izmjene. Ne koristite adapterski utikač zajedno sa zaštitno uzemljenim uređajem. Utikač na kojem nisu vršene izmjene i odgovarajuća utičnica smanjuju opasnost od električnog udara.
- b. Izbjegavajte dodir tijela s uzemljenim površinama kao što su cijevi, radijatori, štednjaci i hladnjaci. Postoji povećana opasnost od električnog udara ukoliko je Vaše tijelo uzemljeno.
- c. Uređaj držite dalje od kiše ili vlage. Prodiranje vode u električni uređaj povećava opasnost od električnog udara.
- d. Ne zloupotrebljavajte priključni kabel za nošenje, vješanje uređaja ili za izvlačenje utikača iz mrežne utičnice. Priklučni kabel držite dalje od izvora topline, ulja, oštih rubova ili pomičnih dijelova uređaja. Oštećen ili usukan priključni kabel povećava opasnost od električnog udara.
- e. Ako sa električnim alatom radite na otvorenom, koristite samo produžni kabel odobren za uporabu na otvorenom. Primjena produžnog kabela prikladnog za rad na otvorenom smanjuje opasnost od električnog udara.
- f. Ako se ne može izbjeći uporaba električnog alata u vlažnoj okolini, upotrijebite sigurnosna sklopka za propuštanje u zemlju. Upotrebom sigurnosne sklopke za propuštanje u zemlju smanjuje se opasnost od električnog udara.

SIGURNOST LJUDI

- a. Budite pažljivi, pazite što činite i postupajte oprezno kod rada s električnim alatom. Ne radite s uređajem ako ste umorni ili pod utjecajem droga, alkohola ili lijekova. Trenutak nepažnje kod uporabe uređaja može dovesti do ozbiljnih ozljeda.
- b.  Nosite osobnu zaštitnu opremu. Uvijek nosite zaštitne naočale. Nošenje osobne zaštitne opreme, kao što je maska za prašinu, sigurnosna obuća koja ne klizi, zaštitna kaciga ili štitnik za sluh, ovisno od vrste i primjene električnog alata, smanjuje opasnost od ozljeda.
- c. Izbjegavajte nehotično puštanje u rad. Prije nego što ćete utaknuti utikač u utičnicu, provjerite je li električni alat isključen. Ako kod nošenja uređaja imate prst na prekidaču ili se uključen uređaj priključi na električno napajanje, to može dovesti do nezgoda.
- d. Prije uključivanja uređaja uklonite alate za podešavanje ili vijčani ključ. Alat ili ključ koji se nalazi u rotirajućem dijelu uređaja može dovesti do nezgoda.
- e. Ne precijenite svoje sposobnosti. Zauzmite sigurno i stabilno uporište i u svakom trenutku održavajte ravnotežu. Na taj način možete uređaj bolje kontrolirati u neočekivanim situacijama.
- f. Nosite prikladnu odjeću. Ne nosite široku odjeću ili nakit. Kosu, odjeću i rukavice držite dalje od pomičnih dijelova. Mlohavu odjeću, nakit ili dugu kosu mogu zahvatiti pomični dijelovi.
- g. Ako se mogu montirati naprave za usisavanje i hvatanje prašine, provjerite da li su iste priključene i da li se mogu ispravno koristiti. Primjena ovih naprava smanjuje ugroženost od prašine.
- h. **Ne obrađujte materijal koji sadrži azbest** (azbest se smatra kancerogenim).
- i. **Poduzmite mjere zaštite ako kod rada može nastati prašina koja je štetna za zdravlje, zapaljiva ili eksplozivna** (neke prašine se smatraju kancerogenima); nosite masku za zaštitu od prašine i koristite usisavanje prašine/strugotine ako se može priključiti.

BRIŽLJIVA UPORABA I OPHOĐENJE S ELEKTRIČNIM ALATIMA

- a. Ne preopterećujte uređaj. Za vaš rad koristite za to predviđen električni alat. S odgovarajućim električnim alatom radit ćete bolje i sigurnije u navedenom području učinaka.
- b. Ne koristite električni alat čiji je prekidač neispravan. Električni alat koji se više ne može uključivati i isključivati opasan je i mora se popraviti.
- c. Izvucite utikač iz mrežne utičnice prije podešavanja uređaja, zamjene pribora ili odlaganja uređaja. Ovim mjerama opreza izbjeci će se nehotično pokretanje uređaja.
- d. Električni alat koji ne koristite spremite izvan dosega djece. Ne dopustite rad s uređajem osobama koje nisu s njim upoznate ili koje nisu pročitale ove upute. Električni alati su opasni ako s njima rade neiskusne osobe.
- e. Održavajte uređaj s pažnjom. Kontrolirajte da li pomični dijelovi uređaja besprijekorno rade i da nisu zaglavljivi, da li su djelovi pompljeni ili tako oštećeni da se ne može osigurati funkcija uređaja. Prije primjene ove oštećene dijelove treba popraviti. Mnoge nezgode imaju svoj uzrok u slabo održavanim električnim alatom.
- f. Rezne alate održavajte oštirim i čistim. Pažljivo održavani rezni alati s oštirim oštricama manje će se zaglaviti i lakše se s njima radi.
- g. Električni alat, pribor, radne alate, itd. koristite prema ovim uputama i na način kako je to propisano za poseban tip uređaja. Kod toga uzmite u obzir radne uvjete i izvođene radove. Uporaba električnih alata za druge primjene nego što je to predviđeno, može dovesti do opasnih situacija.

SERVISIRANJE

- a. Popravlak vašeg uređaja prepustite samo kvalificiranom stručnom osoblju ovlaštenog servisa i samo sa originalnim rezervnim dijelovima. Na taj će se način osigurati da ostane sačuvana sigurnost uređaja.

UPUTE ZA SIGURAN RAD S GLODALICAMA

OPĆENITO

- Uređaj ne bi smjele koristiti osobe mlađe od 16 godina.
- Prije svih radova održavanja, podešavanja ili izmjene alata i pribora treba izvući utikač iz mrežne utičnice.

PRIBOR

- Upotrebljavajte pribor čija dopuštena brzina odgovara najvećoj brzini alata u praznom hodu.
- Ne upotrebljavajte oštećena ili deformirana glodala.
- Upotrebljavajte samo oštra glodala.
- Dodatnu opremu zaštitite od udaraca, potresanja i zamašćivanja.

PRIJE UPORABE

- Izbjegavajte oštećenja od vijaka, čavala i sličnih predmeta na vašem izratku; prije početka rada ih izvadite.
- Uvijek provjerite da li se mrežni napon podudara s naponom sa tipske pločice uređaja (uređaji označeni s 230 V ili 240 V mogu raditi i na 220 V).
- Izradak stegnuti, ukoliko nije učvršćen svojom vlastitom težinom.
- Prašina od materijala kao što su boje koje sadrže olovo, neke vrste drveća, minerali i metal mogu biti opasne (dodir s prašinom ili njeno udisanje mogu prouzročiti alergične reakcije i/ili respiratorna oboljenja rukovatelja ili posmatrača); nosite masku za zaštitu od prašine i radite s uređajem za ekstrakciju prašine ukoliko ga možete priključiti.
- Nacionalni uvjeti za materijale s kojima želite raditi.
- Kod priključka osigurati da uređaj bude isključen.

TIJEKOM UPORABE

- Kabel uvijek držati dalje od rotirajućih dijelova uređaja; kabel povlačiti iza uređaja.
- Nikad ne upotrebljavajte alat kad su kabel ili osnovna ploča (= zaštitna površina) oštećeni; neka iz zamijeni kvalificirana osoba.
- Ruke i prste držite podalje od glodala kad je alat uključen.
- U slučaju neuobičajenog ponašanja uređaja ili neobičnih šumova, uređaj treba odmah isključiti i izvući utikač iz mrežne utičnice.
- U slučaju da je glodalo blokirano i uzrokuje trzanje alata, odmah isključite alat.
- U slučaju trenutnog prekida ili slučajnog izvlačenja utikača iz utičnice, odmah isključite alat kako biste spriječili nekontrolirano ponovno uključivanje.
- Ne djelovati tolikim pritiskom na uređaj kod rada da se on zaustavi pod opterećenjem.

OKOLIŠ

ZBRINJAVANJE

Električni alat, pribor i ambalažu treba dovesti na ekološki prihvatljivu ponovnu primjenu.

SAMO ZA ZEMLJE EU



Ne bacajte električni alat u kućni otpad!
Prema Europskim smjernicama 2002/96/EG za električne i elektroničke stare uređaje, električni alati koji više nisu uporabivi moraju se odvojeno sakupiti i dovesti na ekološki prihvatljivu ponovnu primjenu.

SAVJETI ZA PRIMJENU

- Upotrebljavajte odgovarajuća glodala.
- Za ureze paralelne sa stranicom predmeta koji obrađujete upotrijebite vodilicu glodala.
- Za izradu paralelnih ureza u predmetu koji obrađujete daleko od ruba:
 - na predmet koji obrađujete pomoću 2 škripca pričvrstite ravan komad drva.
 - vodite alat s osnovnom pločom smještenom duž ruba drva koje sad ima funkciju vodilice glodala.
- Zaštitite se od posljedica vibracija održavanjem alatke i njezinih nastavaka, održavanjem Vaših ruku toplima, te organiziranjem Vaših obrazaca rada.

KONTROLE ZA RUKOVANJE

Vidjeti sliku 1:

- A** Dremel Rotary Tool (alat za rotiranje)
- B** Kontrola brzine
- C** Spremnik za montažni ključ
- D** Ručka (gurnuti za zaključavanje)
- E** Spremnik za ključ za maticu zatezne čahure (ključ nije uključen)
- F** Skala dubine (engleska/metriška)
- G** Kutna vodilica
- H** Kružna vodilica
- I** Gumb za blokadu osnove
- J** Ručka (nepomična)
- K** Matica za namještanje, donja
- L** Zaustavljač dubine
- M** Matica za namještanje, gornja
- N** Gumb za otpuštanje

MONTIRANJE

MONTAŽA DODATKA NADSTOLNE GLODALICE NA ALAT

DODATAK ZA UPORABU S DREMELOVIM MODELIMA ROTIRAJUĆEG ALATA 300, 395, 398, 400, 4000.

⚠ OPOZORENJE Isključite utikač iz izvora struje prije vršenja bilo kakve montaže, podešavanja ili zamjene pribora. Takve preventivne mjere opreza smanjuju rizik od nenamjernog pokretanja alata.

1. Odstranite maticu čahure za zatezanje, potom skinite kapicu s rotirajućeg alata i kapu kućišta stavite na stranu (sl. 2). Kapa kućišta mora biti ponovno instalirana kad se ovaj dodatak ne koristi. Kad je kapa kućišta skinuta, ponovno montirajte maticu čahure za zatezanje.

Vidjeti sliku 2:

A Kapa kućišta

2. Stavite alat u dodatak glodalice s gumbom za zaključavanje prema naprijed kao što je prikazano (sl. 3).
3. Pritegnite montažnu maticu u smjeru kazaljke na dio s navojem na vašem rotirajućem alatu i dobro stegnite pomoću priloženog montažnog ključa.

Vidjeti sliku 3:

A Montažni ključ

B Montažna matica

C Gumb za blokadu osnove

UPUTE ZA RUKOVANJE

PAŽNJA: Pomoću ovog dodatka Dremel Rotary Tool (rotirajući alati) postaje Plunge Router (nadstolna glodalica) za slobodno glodanje, obrubljivanje, graviranje i cirkularno rezanje. Dodatak glodalice dolazi već montiran, spreman za glodanje slobodnom rukom ili glodanje pomoću bitova za upravljanje.

Periodično čišćenje i podmazivanje vodilica omogućava rad bez smetnji. Pritisnite i zaključajte glodalicu i ravnomjerno nanesite blago mazivo (npr. žele petroleja, jestivo ulje) na gornji dio vodilica.

⚠ OPOZORENJE Ovaj dodatak glodalice nije namijenjen za uporabu ispod glodalice ili stola pile.

Specifikacija pribora

Vidjeti sliku A4.

UMETANJE BITA GLODALICE

Bitove glodalice u alatu drži sustav čahura. **Bit može biti instaliran prije ili nakon što je rotirajući alat instaliran u dodatak.**

1. Pritisnite i držite gumb za zaključavanje osnove dok okrećete maticu čahure za zatezanje i osnovu. Nastavite rotirati maticu čahure za zatezanje i osnovu dok se brava ne uklopi i zadrži osnovu (sl. 4).
2. Upotrijebite ključ iz vašeg Dremel rotirajućeg alata i okrenite maticu čahure za zatezanje u smjeru suprotnom od smjera kazaljke na satu kako biste ju otpustili.
3. Otpustite gumb za zaključavanje osnove.
4. Umetnite bit za glodanje u čahuru za zatezanje što je moguće dublje kako biste osigurali ispravno držanje bita i mogućnost iskakanja sveli na najmanju mjeru. Nemojte umetati bit toliko da žljebovi bita dodiruju čahuru za zatezanje ili maticu čahure za zatezanje kako biste izbjegli struganje ili pucanje bita.

NAPOMENA: Nikad ne stavljajte alat s bitom koji strši kroz postolje na vrhu radnog stola ili radne površine. Položite alat na stranu ili odložite bit prije postavljanja na radni stol ili radnu površinu. Ako režete s bitom koji strši, to može prouzročiti iskakanje alata.

5. Ponovno uključite gumb za zaključavanje osnove i pritegnite maticu čahure za zatezanje; prvo rukom, potom uz uporabu ključa dok bit ne bude čvrsto i sigurno pritegnut.

Vidjeti sliku B4:

- A Ključ za maticu čahure za zatezanje
- B Postolje
- C Matica čahure za zatezanje
- D Gumb za blokadu osnove

NAMJEŠTANJE DUBINE GLODANJA

NAPOMENA: Kad vršite duboko rezanje, posebice s uranjanjem daleko od ruba izratka, preporuča se da napravite nekoliko uzastopnih rezova s postepenim povećavanjem dubine uz uporabu namještanja dubine i skale za dubinu, radije nego pravljenje jednog jedinog dubokog reza. Ograničavač dubine može se namjestiti za dvije dubine.

1. Postavite vaš Dremel rotirajući alat i dodatak glodalice na izradak.
2. Okrenite gornju maticu za namještanje prema gore a donju maticu za namještanje prema dolje tako da se zaustavljač dubine slobodno može pomjerati (sl. 5).

Vidjeti sliku 5:

- A Zaustavljač dubine
- B Gornja matica za namještanje
- C Donja matica za namještanje

3. Otpustite ručku za zaključavanje (sl. 6). Polako spustite alat da bit glodalice samo dotakne izradak.

Vidjeti sliku 6:

- A Ručka
- B Gumb za otpuštanje

4. Pritegnite ručku za zaključavanje kako biste zaključali alat na mjestu.
5. Pritisnite i držite gumb za otpuštanje dok zaustavljač dubine ne dotakne osnovu glodalice.

1. dubina glodanja

6. Okrenite zaustavljač dubine prema gore tako da je mjera X jednaka prvoj željenoj dubini glodanja (sl. 7).

NAPOMENA: 1 okretaj jednako .06" (1.5 mm)

Vidjeti sliku 7:

- A Zaustavljač dubine
- B Gornja matica za namještanje

7. Okrenite gornju maticu za namještanje prema dolje nasuprot okvira glodalice.

2. dubina glodanja

8. Okrenite zaustavljač dubine prema gore tako da je mjera X jednaka drugoj željenoj dubini glodanja. Uvjerite se da se gornja matica za namještanje okreće sa zaustavljačem dubine tako da se diže iz okvira glodalice (sl. 8).

Vidjeti sliku 8:

- A Zaustavljač dubine
- B Matica za namještanje, donja

9. Okrenite donju maticu za namještanje prema gore nasuprot okvira glodalice.

NAPOMENA: Gornja matica za namještanje mora ostati nepomična kad se priteže donja matica za namještanje.

10. Pritisnite i otpustite gumb kako biste izabrali 1. ili 2. dubinu glodanja (sl. 9).

NAPOMENA: Namještanje svake dubine glodanja treba provjeriti probnim rezanjem i ako je potrebno ponovno namjestiti.

Vidjeti sliku 9:

- A Gumb za otpuštanje

Kad je glodanje završeno, otpustite ručku i vratite glodalicu u najgornji položaj.

VOĐENJE GLODALICE

Ako je glodalicu teško kontrolirati, ako se zagrijava, radi vrlo sporo ili ako loše siječe, uzмите u obzir sljedeće razloge:

- Pogrešan pravac vođenja – teško kontrolirati.
- Vođenje suviše brzo – preopterećuje motor.
- Oslabljen bit – preopterećuje motor.
- Rezanje preveliko za jedan potez – preopterećuje motor.
- Vođenje suviše sporo – ostavlja tragove gorenja na izratku.

Vodite alat glatko i stabilno (nemojte primjenjivati silu). Ubrzo ćete naučiti kako glodalica zvuči i kako ju osjećate kad radi optimalno.

Brzina vođenja

Kad vršite glodanje ili slične poslove na drvu ili plastici, najbolje rezultate imat ćete ako su dubina rezanja i brzina vođenja regulirane da održavaju motor da radi pri velikoj brzini.

Vodite glodalicu pri umjerenj brzini. Za meke materijale potrebna je veća brzina vođenja nego za tvrde materijale.

Glodalica se može zaglaviti ako se koristi nepropisno ili ako je preopterećena. Smanjite brzinu vođenja kako biste spriječili moguće oštećenja alata. Uvijek budite sigurni da je matica čahure za zatezanje dobro pritegnuta prije uporabe. Uvijek koristite bitove za glodanje s najkraćom duljinom rezanja koja je potrebna da se ostvari željeno rezanje. To će svesti na najmanju mjeru trošenje bita glodalice kao i njegovo zvučno djelovanje.

Oblikovanje rubova

Kad oblikujete rubove, uvijek koristite upravljane bitove ili bitove s ležajem. Donji dio upravljanog nakošenog bita je osnova bez rubova za rezanje. Bitovi s ležajem za vođenje imaju loptasti ležaj za upravljanje bitom.

Upravljač klizi duž ruba izratka dok rotirajući noževi vrše rezanje, uz izradu dekorativnih rubova. Rub na kojem upravljač klizi treba biti savršeno gladak jer se sve nepravilnosti prenose na oblikovanu površinu.

Kad vršite glodanje na izratku kod kojeg je potrebno oblikovanje rubova na krajnjim sastavima, uvijek prvo obavite glodanje na rubu sa sastavom prije nego što započnete glodanje na rubu koji slijedi poslije sastava. Time se mogućnost oštećenja od pucanja na kraju sastava svodi na najmanju mjeru.

Pravac vođenja glodalice

Vretno glodalice okreće se u smjeru kazaljke na satu kad se gleda odozgo. Za optimalnu kontrolu i kvalitetu rezanja vodite alat u izradak u pravcu u kojem će bit sam težiti i povlačiti se prema drvu. Neispravan pravac vođenja prouzročit će penjanje bita iznad drvca.

Vodite alat u pravcu koji je ovdje prikazan. Ako vršite rezanje oko ruba četverokutnog komada, alat pomjerajte u pravcu suprotnom od kazaljke na satu. Ako vršite glodanje unutar površine kao što je ovdje prikazano, pomjerajte u smjeru kazaljke na satu (sl. 10).

NAPOMENA: Pravac vođenja je ekstremno važan kad se koristi upravljani bit slobodno na rubu izratka.

Vidjeti sliku 10:

- A Pravec vođenja glodalice
- B Prvo glodanje na sastavima
- C Rotiranje bita

MONTAŽA KUTNE VODILICE

Za uporabu kutne vodilice montirajte palice vodilice u držač alata i osigurajte uz uporabu (2) #10-24 četvrtaste matice i (2) kvake palice vodilice (sl. 11).

Četvrtasta matica će kliziti u utore iznad palica vodilice. Kvake palice vodilice su montirane odozgo kroz otvore matice i nasuprot palica. Pričvrstite kutnu vodilicu na palice vodilice uz uporabu kvaka kutne vodilice i šestostranih matice.

Postavite šestostrane matice ispod kutne vodilice i pričvrstite s kvakom kutne vodilice na gornjoj površini kutne vodilice. Gurnite spoj kutne vodilice na palice vodilice kao što je prikazano na slici. Postavite kutnu vodilicu na željeni razmak od rezača i pritegnite kvake kutne vodilice. (vidjeti sl. 11)

Kutna vodilica se koristi za oblikovanje rubova, rezanje spojeva, podnožja, ureza, jezičaka, brazdi, utora i žljebova. Pobrinite se da vođenje vršite tako da rezač sam teži da povlači kutnu vodilicu nasuprot drva. Konzistentna brzina vođenja za rezultat ima ravno rezanje.

Općenito se preporuča da se napravi nekoliko plitkih rezanja kad želite dobiti duboku brazdu. Maksimalna dubina rezanja varirat će u ovisnosti o materijalu koji se koristi. Nemojte forsirati vođenje do te mjere da dođe do osjetnog usporavanja motora.

Vidjeti sliku 11:

- A Vijak za namještanje dubine
- B Kvaka za palicu za vođenje
- C Četvrtaste matice
- D Palice za vođenje
- E Kutna vodilica
- F Završni čavao
- G Kružna vodilica
- H Šestostrane matice
- I Kvaka kutne vodilice

KUTNA VODILICA

Instalacija

1. Instalirajte kutnu vodilicu na montažne blokove nadstolne glodalice (sl. 12).

Vidjeti sliku 12:

- A Montažni blokovi
- B Kutna vodilica

2. Postavite paralelnu vodilicu nasuprot radne površine s bitom glodalice u željenom položaju.
3. Pritegnite lepriraste vijke.

Glodanje s kutnom vodilicom

Gurnite sploštenu stranu kutne vodilice duž radne površine.

KRUŽNA VODILICA

Izrada lukova i krugova

1. Odstranite kutnu vodilicu i priključite držač kružne vodilice na palice za vođenje (sl. 13).

Vidjeti sliku 13:

- A Završni čavao
- B Kutna vodilica

2. Upotrijebite priloženi završni čavao kao točku za centriranje. Postavite kružnu vodilicu za željeni promjer.
3. Postavite čavao kroz rupu u vodilicu i na sredinu željenog promjera koji ćete rezati.

ŠABLONE

Uporaba šablona omogućava vam da više puta koristite isti dizajn ili slova uniformno više puta. Za tu tehniku potrebna je uporaba ležajnih vodilica.

LEŽAJI VODILICA

Ležaj vodilice koji je prikazan (na sl. 14) predstavlja osnovnu ploču s čahuram za zatezanje koja je umetnuta u rupu na postolju kao što je prikazano i osigurana provlačenjem ležajnog dodatka na vrhu ležajne vodilice. Ležaj vodilice se kreće duž ruba šablone dok bit glodalice, stršeći ispod, reže izradak.

Vidjeti sliku 14:

- A Ležajni čep
- B Ležaj vodilice
- C Postolje

PAŽNJA: Uvjerite se da je debljina šablone jednaka ili veća od duljine ležaja koji strši ispod postolja.

Nemojte koristiti bit koji može dodirivati unutarnji dio čahure. Izaberite bit koji ima promjer manji za najmanje 2 mm.

Osim toga, specijalne šablone mogu se lako pripremiti za rezanje uzoraka koji se ponavljaju, posebice dizajna, ukrasnih umetaka i sličnih aplikacija. Uzorak šablone može biti od šperploče, tvrde ploče, metala ili čak plastike, a dizajn se može rezati pomoću glodalice, prijenosne pile ili nekog drugog prikladnog alata.

Imajte na umu da šablona mora biti izrađena tako da kompenzira razmak između bita glodalice i ležaja vodilice ("pomak"), jer će konačni izradak imati različitu veličinu od uzorka šablone za tu razliku, zbog položaja bita (sl. 15).

Vidjeti sliku 15:

- A Bit glodalice
- B Matica čahure za zatezanje
- C Ležaj vodilice
- D Postolje
- E Uzorci šablona
- F Izradak
- G Pomak

GLODANJE SLOBODNOM RUKOM

Mnogi efekti se postižu slobodnom uporabom glodalice s bitom malog promjera. Obično obrtnik nacrtava skicu ili ispiše natpis koji želi na izratku i koristi crtu ispisiva kao vodilicu.

SERVIS I GARANCIJA

Ovaj proizvod DREMEL je zajamčeno u skladu sa zakonskim/specifičnim nacionalnim propisima; šteta zbog normalnog trošenja, preopterećenja ili neispravne uporabe je isključena iz garancije.

U slučaju garancijskog zahtjeva pošaljite alat u *nerastavljenom* stanju zajedno s računom vašem trgovcu.

KONTAKT DREMEL

Za više informacija o ponudi Dremel, tehničku potporu i vruću liniju posjetite www.dremel.com

Dremel Europe, P.O. Box 3267, 4800 DG Breda, Nizozemska



⚠ УПОЗОРЕЊЕ ПРОЧИТАЈТЕ СВА УПУТСТВА.

Неслеђење свих упутстава

може да проузрокује електрични шок, пожар и/или озбиљне повреде. Термин "снажни алат" у свим упозорењима која су доле наведена односи се на ваш снажни алат који се прикључује на струју (са каблом) или алат на батерије (без кабла).

САЧУВАЈТЕ ОВА УПУТСТВА


РАДНО ПОДРУЧЈЕ

- Држите радно подручје чистим и добро осветљеним. Неуредна и тамна радна подручја могу да буду узрок незгоде.
- Немојте користити снажни алат у експлозивном окружењу, као што је нпр. присуство запаљивих течности, гасова или паре. Снажни алат производи искре које могу да запале пару или дим.
- Током руковања снажним алатом одмакните се од деце и осталих лица. Непажња може да буде узрок губљења контроле.

ЕЛЕКТРИЧНА СИГУРНОСТ

- Утикачи снажног алата морају да одговарају утичницама. Никада и ни на који начин немојте да модификујете утикаче. Немојте да користите никакве адаптера утикача са уземљеним снажним алатима. Немодификовани утикачи и одговарајуће утичнице смањују ризик од електричног шока.
- Избегавајте контакт тела са уземљеним површинама као што су цеви, радијатори, штедњаци и фрижидери. Ризик од електричног шока је повећан ако је ваше тело уземљено.
- Немојте излагати снажни алат киши или влажним условима. Вода која доспе у унутрашњост снажног алата повећаће ризик од електричног шока.
- Немојте оштетити кабл. Немојте никада користити кабл за ношење, вучу или искључивање снажног алата. Држите кабл далеко од топлоте, уља, оштрих ивица и покретних делова. Оштећени или замршени каблови повећавају ризик од електричног шока.
- Кад радите са снажним алат вани, користите продужни кабл прикладан за спољну употребу. Употреба кабла прикладног за спољну употребу смањује ризик од електричног шока.
- Ако рад електричног алата не може да се избегне у влажној околини, користите прекидач струјне заштите при квару. Употреба прекидача струјне заштите при квару смањује ризик од електричног удара.

ЛИЧНА СИГУРНОСТ

- Будите опрезни, пазите шта радите док рукујете снажним алатом и будите разборити. Не користите снажни алат ако сте уморни или под утицајем дроге, алкохола или лекова. Тренутак непажње током руковања снажним алатом може за резултат да има озбиљне повреде лица.
- 
 Користите сигурносну опрему. Увек користите заштиту за очи. Сигурносна опрема као што је маска за заштиту од прашине, ципеле за заштиту од клизања, заштитна кацига или заштита за уши која се употребљава у одговарајућим условима смањује могућност повреда лица.

- Избегавајте случајно укључивање. Уверите се да је прекидач у искљученом (off) положају пре прикључивања. Ношење снажног алата с прстом на прекидачу или прикључивање снажног алата док је прекидач у "on" положају може проузроковати несрећу.
- Пре укључивања снажног алата одстраните сва средства за подешавања или кључеве. Кључ или средство за подешавање који се оставе прикључени на ротациони део снажног алата могу да проузрокују повреде лица.
- Не претерујте. Све време одржавајте одговарајући положај и равнотежу. То омогућава бољу контролу снажног алата у неочекиваним ситуацијама.
- Обуците се примерено. Немојте носити широку одећу или накит. Косу, одећу и рукавице држите далеко од покретних делова. Широка одећа, накит или дуга коса могу да се запетљају међу покретне делове.
- Ако се уређаји користе за повезивање екстракције паре и скупљање средстава, уверите се да су спојени и да се правилно користе. Користиће ових уређаја може да смањи опасност повезане са паром.
- Немојте да радите са материјалима који садрже азбест (азбест се сматра канцерогеним).
- Предузмите заштитне мере ако током рада може да настане прашина која је штетна по здравље, запаљива или експлозивна (неке врсте прашине се сматрају канцерогеним); носите заштитну маску против прашине и користите уисивач за прашину/ отпатке ако може да се прикључи.

КОРИШЋЕЊЕ И ОДРЖАВАЊЕ СНАЖНОГ АЛАТА

- Немојте форсирати снажни алат. Користите одговарајући снажни алат потребан за вашу дату ситуацију. Одговарајућим снажним алатом урадићете посао боље и сигурније у складу са његовом наменом.
- Немојте користити снажни алат ако прекидач on/off не ради. Било који снажни алат који не може да се контролише помоћу прекидача је опасан и мора да се поправи.
- Искључите утикач из извора струје пре вршења било каквих подешавања, замене прибора или одлагања снажног алата. Такве превентивне безбедносне мере смањују ризик од ненамерног укључивања снажног алата.
- Снажни алат који не употребљавате држите изван домашјаја деце и немојте дозволити да алатом рукују особе који нису упознате са њим или овим упутством. Снажни алати су опасни у рукама корисника који нису обучени.
- Одржавајте снажне алате. Проверите да ли су спојни или покретни делови добро подешени, као и то да ли су делови у исправном стању и све друге услове који би могли да утичу на руковање снажним алатом. Ако је алат оштећен, дајте га на поправку пре поновне употребе. Узрок многих несрећа је лоше одржавање снажног алата.
- Алат за сечење држите оштрим и чистим. Правилно одржаван алат за сечење са оштрим ивицама за сечење ређе се заглављује и лакше га је контролисати.
- Користите снажне алате, прибор и битеве алата у складу са овим упутствима и на начин који је предвиђен за одређену врсту снажног алата узимајући у обзир радне услове и посао који треба да се обави. Употреба снажног алата за послове који нису предвиђени може да проузрокује настанак опасне ситуације.

СЕРВИС

- Нека ваш снажни алат сервисира квалификовани сервисер уз коришћење само идентичних резервних делова. На тај начин обезбедиће се одржавање сигурности снажног алата.

УПУТСТВА ЗА БЕЗБЕДАН РАД СА ГЛОДАЛИЦОМ

ОПШТА

- Овај алат не треба да користе особе испод 16 година.
- Обавезно ископчајте алат из електричне утичнице пре него што извршите било каква подешавања или замену прибора.

ПРИБОР

- Користите само прибор чија је дозвољена брзина у најмању руку једнака највећој брзини при празном ходу електричног алата.
- Немојте док оштрине оштећена или деформисана глодала.
- Користите само оштра глодала.
- Заштитите прибор од потреса, удара и масних површина.

ПРЕ УПОТРЕБЕ

- Избегавајте оштећења од шrafoва, ексера и других предмета на вашем подручју рада; уклоните их пре него што започнете рад.
- Увек проверавајте да ли се напон струје поклапа са напонам наведеним на самом алату (алати на којима је наведен напон од 230В или 240В могу да раде и на 220В).
- Ако предмет који се обрађује није стабилан, морате добро да га причврстите.
- Прашина од материјала, као што су боја која садржи олово, неке врсте дрвета, минерали и метал, може бити опасна (додир или удисање прашине може проузроковати алергијске реакције и/или респираторна обољења руковаоца и лица у близини); носите маску против прашине и радите уз укључени уређај за екстракцију прашине када радите на местима где ју је могуће прикључити.
- Прати националне прописе везане за прашину која се производи приликом рада на обрађиваним материјалима.
- Проверите да ли је алат искључен када га прикључавате у утичницу.

ТОКОМ УПОТРЕБЕ

- Кабл увек држите подаље од покретних делова алата; увек га треба држати иза алата.
- Никада немојте да користите алат ако је оштећен кабл или основна плоча (= заштитни механизам); замену мора да обави стручно лице.
- Прсте и руке држите подаље од глодала када је алат укључен.
- У случају да дође до електричног или механичког квара, одмах искључите алат и ископчајте га из утичнице.
- У случају да се глодало блокира, што резултира трзањем алата, одмах га искључите.
- У случају да дође до нестанка струје или ако се кабл случајно ископча, одмах искључите алат, да бисте спречили поновно неконтролисано укључивање.
- Немојте много да притискате електрични алат да не би дошло до престанка рада.

ОКОЛИНА

ОДЛАГАЊЕ

Алат, прибор и амбалажу требало би сортирати за еколошки повољно рециклажу.

САМО ЗА ЗЕМЉЕ ЕУ



Не бацајте снажни алат у кућно смеће!

У складу са Европском директивом 2002/96/ЕС о отпаду од електричне и електроничке опреме и њене примене у

складу са националним законом, електрични алати којима је истекао век трајања морају да се скупљају одвојено и одлажу на еколошки исправан начин.

САВЕТИ ЗА ПРИМЕНУ

- Користите одговарајућа глодала.
- За глодање површина паралелних са бочном страном предмета који се обрађује, користите водилицу.
- За паралелно глодање на предмету далеко од ивице:
 - причврстите раван комад дрвета на предмет који се обрађује помоћу 2 споне.
 - повлачите електрични алат са основном плочом преко ивице дрвета које сада функционише као водилица.
- Заштитите се од последица вибрација одржавањем алатке и њених наставка, одржавајући Ваше руке топлим и организовањем Ваших радних образаца.

КОНТРОЛЕ ЗА УПРАВЉАЊЕ

Видети слику 1:

- A** Dremel ротациони алат
- B** Контрола брзине
- C** Претинац за монтажни кључ
- D** Ручка (гурнути за закључавање)
- E** Претинац за кључ навртке за стезну чауру (кључ није укључен)
- F** Скала за дубину (енглеска/метријска)
- G** Угаони водич
- H** Кружни водич
- I** Дугме за блокирање осовине
- J** Ручка (непомична)
- K** Навртка за подешавање, доња
- L** Заустваљач дубине
- M** Навртка за подешавање, горња
- N** Дугме за ослобађање

МОНТАЖА

МОНТАЖА ДОДАТКА ГЛОДАЛИЦЕ ЗА ВАШ АЛАТ

ДОДАТАК ЗА УПОТРЕБУ СА МОДЕЛИМА DREMEL РОТАЦИОНОГ АЛАТА 300, 395, 398, 400, 4000.

▲ УПОЗОРЕЊЕ Искључите утикач из извора струје пре вршења било какве монтаже, подешавања или замене прибора. Такве превентивне безбедносне мере смањују ризик од ненамерног укључивања алата.

1. Одстраните навртку стезне чауре, затим одстраните капу кућишта са вашег ротационог алара и оставите капу кућишта на страну (сл. 2). Капа кућишта мора поново да се инсталише кад се овај додатак не користи. Кад се капа кућишта скине, поново монтирајте навртку стезне чауре.

Видети слику 2:

- A** Капа кућишта
2. Поставите алат на додатак са дугметом за закључавање основе усмереним напред као што је приказано на слици (сл. 3).
 3. Заврните монтажну навртку у смеру казаљке на сату на део са навојем вашег ротационог алата и добро притегните помоћу приложеног монтажног кључа.

Видети слику 3:

- A** Монтажни кључ
- B** Монтажна навртка
- C** Дугме за блокирање осовине

УПУТСТВО ЗА РАД

ПАЖЊА: Помоћу овог додатка ваш Dremel ротациони алат постаје глодалица за глодање слободном руком, обраду ивица, усецање и кружно сечење. Додатак глодалице долази монтиран и спреман за глодање слободном руком или глодање са битом за управљање. Периодично чишћење и подмазивање водича обезбеђују рад без сметњи. Притисните и блокирајте глодалицу и равномерно нанесите благо мазиво (нпр. желе петролеја, јестиво уље) на горњи део водича.

УПОЗОРЕЊЕ Овај додатак глодалице није намењен за употребу испод глодалице или стола тестере.

Спецификација прибора

Видети слику 4:

УМЕТАЊЕ БИТА ГЛОДАЛИЦЕ

Алат држи битове глодалице помоћу система чаура. **Бит може да се инсталише пре или након што се ротациони алат инсталише у додаток.**

1. Притисните и држите дугме за блокирање основе док ротираете навртку стезне чауре и основу. Наставите да ротираете навртку чауре и основу док се брава не уклопи и задржи основу (сл. 4).
2. Употребите кључ из вашег Dremel ротационог алата и окрените навртку стезне чауре у смеру супротном од смера казаљке на сату како бисте је ослободили.
3. Ослободите дугме основе за блокирање.
4. Уметните бит глодалице у стезну чауру што је могуће дубље како бисте обезбедили исправно држање бита и свели могућност искакања бита на најмању могућу меру. Немојте да гурате бит толико да жлебови бита додирују стезну чауру или навртку чауре како бисте избегли стругање или пуцање бита.
НАПОМЕНА: Никад немојте да стављате алат са битом тако да стржи кроз постоље на врху радног стола или радне површине. Положите алат на страну или одложите бит пре постављања на радни сто или радну површину. Сечење са битом који стржи може да проузрокује искакање алата.
5. Поново укључите дугме за блокаду основе и заврните навртку стезне чауре; прво руком, а затим уз употребу кључа док бит не буде у безбедном положају.

Видети слику 4B:

- A Кључ за навртку стезне чауре
- B Постоље
- C Завртањ стезне чауре
- D Дугме за блокирање осовине

ПОДЕШАВАЊЕ ДУБИНЕ ГЛОДАЊА

НАПОМЕНА: Кад вршите дубоко сечење, нарочито сечење урањањем далеко од ивице обратка, препоручује се да направите неколико узастопних дубљих резања једно за другим уз употребу подешавања дубине и скале за дубину, радије него да направите само једно дубоко резање.

Лимитер дубине може да се подеси за две дубине.

1. Поставите ваш Dremel ротациони алат на обрадак.
2. Окрените горњу навртку за подешавање према горе, а доњу навртку за подешавање према доле тако да заустављач дубине може слободно да се помера (сл. 5).

Видети слику 5:

- A Заустављач дубине
- B Горња навртка за подешавање
- C Доња навртка за подешавање

3. Ослободите ручку за блокирање (сл. 6). Полако спуштајте алат док бит за глодање не дотакне лагано обрадак.

Видети слику 6:

- A Ручка
- B Дугме за ослобађање

4. Затегните ручку за блокирање како бисте закључали алат на месту.
5. Притисните и држите дугме за ослобађање тако да заустављач дубине дотакне постоље глодалице.

1. дубина глодања

6. Окрените заустављач дубине према горе тако да мера X буде једнака првој жељеној дубини глодања (сл. 7).
НАПОМЕНА: 1 окретај једнако .06" (1.5 mm)

Видети слику 7:

- A Заустављач дубине
- B Горња навртка за подешавање

7. Окрените горњу навртку за подешавање доле насупрот оквира глодалице.

2. дубина глодања

8. Окрените заустављач дубине према горе тако да мера X буде једнака другој жељеној дубини глодања. Уверите се да се горња навртка за подешавање окреће са заустављачем дубине тако да се издигне из оквира (сл. 8).

Видети слику 8:

- A Заустављач дубине
- B Доња навртка за подешавање

9. Окрените доњу навртку за подешавање горе насупрот оквира глодалице.

НАПОМЕНА: Горња навртка за подешавање мора да остане непомична кад се притеже доња навртка за подешавање.

10. Притисните и ослободите дугме како бисте изабрали 1. или 2. дубину глодања (сл. 9).

НАПОМЕНА: Подешавање било које дубине глодања треба да се провери пробним сечењем и поново да се подеси ако је потребно.

Видети слику 9:

- A Дугме за ослобађање

Кад је глодање завршено, ослободите ручку и вратите глодалицу у најгорњи положај.

ВОЋЕЊЕ ГЛОДАЛИЦЕ

Ако је тешко контролисати глодалицу, ако се она загрева, ради веома споро или неправилно сече, обратите пажњу на следеће узроке:

- Погрешан правац вођења – тешко за контролисати.
- Вођење пребрзо – преоптерећује мотор.
- Ослабљен бит – преоптерећује мотор.
- Сечење превелико за један потез – преоптерећује мотор.
- Вођење преспоро – оставља трагове горења на обратку.

Водите алат глатко и стабилно (немојте примењивати силу). Убрзо ћете научити како глодалица звучи и како је осећате кад ради оптимално.

Брзина вођења

Када вршите глодање или сличне послове на дрвету или пластици, најбоље резултате имаћете ако су дубина и брзина сечења регулисане за одржавање мотора на највећој брзини.

Водите глодалицу на умереној брзини. За мекане материјале потребна је већа брзина него за тврде материјале.

Глодалица може да се заглави ако се непрописно користи или ако је преоптерећена. Смањите брзину вођења како бисте спречили могућа оштећења алата. Увек се уверите да је навртка стезне чауре добро притегнута пре употребе. Увек користите битове глодалице са најкраћом дужином сечења која је потребна да се добије жељено сечење. Тако ће се трошење бита и његово звучно деловање свести на најмању меру.

Обликовање ивица

Када обликујете ивице увек користите управљане битове или битове са лежајем. Доњи део накошеног управљаног бита је основа без ивица за сечење. Битови са лежајем за управљање имају лоптасти лежај за бит.

Управљач клизи дуж ивице обратка док ротационо ножеви врше сечење, правећи декоративне ивице. Ивица на којој управљач клизи треба да буде савршено глатка јер се све неправилности преносе на обликовану површину.

Када вршите глодање на обратку код којег је потребно обликовање ивица на саставима, увек вршите глодање на ивици на саставу пре него на оној која следи после састава. На тај начин се могућност пуцања на крају састава своди на најмању могућу меру.

Правац вођења глодалице

Вретено глодалице okreће се у смеру казаљке на сату када се гледа одозго. За максималну контролу и квалитет сечења водите алат у обрадак у правцу у којем бит сам нагиње према дрвету. Неисправан правац вођења узроковаће пењање бита изнад дрвета. Водите алат у правцу који је овде приказан. Ако вршите сечење око ивице правоугаоног комада, померајте алат у правцу супротном од смера казаљке на сату. Ако вршите глодање унутар површине као што је приказано, померање вршите у смеру казаљке на сату (сл. 10).

НАПОМЕНА: Правац вођења је екстремно важан кад се користи управљани бит слободно на ивици обратка.

Видети слику 10:

- A** Правац вођења глодалице
- B** Прво глодање на саставима
- C** Ротација бита

МОНТАЖА УГАОНОГ ВОДИЧА

За употребу угаоног водича монтирајте шипке за вођење на спој држача алата и обезбдите уз употребу (2) #10-24 четвртастих навртки и (2) чепа шипки за вођење (сл. 11). Четвртаста навртка ће клизнути у прорезе изнад шипки за вођење. Чепови шипки за вођење монтирани су одозго кроз рупе па доле кроз навртке и насупротив шипки. Причврстите угаони водич на шипке за вођење уз употребу чепова за шипке за вођење и шестостраних навртки.

Поставите шестостране навртке испод угаоног водича и причврстите са чепом угаоног водича на површину угаоног водича. Гурните спој угаоног водича на шипке водича као што је приказано на слици. Поставите угаони водич на жељено растојање од резача и притегните чепове водича. (видети сл. 11)

Угаони водич се користи за обликовање ивица, сечење спојева, подножја, прореза, језичића, бразди, отвора и жлебова. Побрините се да вођење вршите тако да резач сам настоји да повлачи угаони водич насупротив дрвета. Једнолична брзина вођења за резултат има равно сечење.

Уопштено се препоручује да се направи неколико плићих сечења када желите да добијете дубоку бразду. Максимална дубина сечења варираће зависно од материјала који се користи. Немојте да форсирасте вођење до те мере да се мотор значајно успори.

Видети слику 11:

- A** Завртањ за подешавање дубине
- B** Чеп шипке за вођење
- C** Четвртасте навртке
- D** Шипке за вођење
- E** Угаони водич
- F** Завршни ексер
- G** Кружни водич
- H** Шестостране навртке
- I** Чеп угаоног водича

УГАОНИ ВОДИЧ

Инсталација

1. Инсталишите угаони водич на монтажне блокове глодалице (сл. 12).

Видети слику 12:

- A** Монтажни блокови
- B** Угаони водич

2. Поставите паралелно водич насупротив радне површине са битом глодалице у жељени положај.
3. Притегните лептирасте завртње.

Глодање са угаоним водичем

Гурните пlosнату страну угаоног водича дуж радне површине.

КРУЖНИ ВОДИЧ

Глодање лукова и кругова

1. Одстраните угаони водич и прикључите држач кружног водича на шипке за вођење (сл. 13).

Видети слику 13:

- A** Завршни ексер
- B** Угаони водич

2. Употребите приложени завршни ексер као тачку оријентације. Поставите кружни водич за жељени пречник.
3. Поставите ексер кроз рупу на водичу и на центар жељеног пречника који треба да се сече.

ШАБЛОНИ

Употреба шаблона омогућава вам да више пута користите исте дизајне или слова. За ту технику потребан је лежајни водич.

ЛЕЖАЈИ ВОДИЧА

Лежај водича који је приказан (на сл. 14) представља основну плочу са чауром која се уметне у рупу на постољу као што је приказано и обезбеди провлачењем лежајног додатка на врху лежајног водича. Лежај водича иде дуж ивице шаблона док бит глодалице, стршећи испод, сече обрадак.

Видети слику 14:

- A** Лежајни додатак
- B** Лежај водича
- C** Постоље

ПАЖЊА: Уверите се да је дебелина шаблона једнака или већа од дужине лежаја који стриши испод постоља.

Немојте да користите бит који може да додирује унутрашњост чауре. Одаберите бит који има пречник мањи за најмање 2 мм. Осим тога, лако могу да се припреме специјални шаблони за сечење узорака који се понављају, специјалних дизајна, украсних уметака или сличних апликација. Узорак шаблона може да се направи од шперплоче, тврде плоче, метала или чак пластике, а дизајн може да се изреже помоћу глодалице, преносне тестере или неког другог прикладног алата за сечење.

Водите рачуна о томе да узорак треба да се направи тако да компензује растојање између бита глодалице легаја водича ("помак"), јер коначни обрадак може да се разликује од шаблоне по величини онолико колико износи положај бита (сл. 15).

Видети слику 15:

- A Бит глодалице
- B Завртањ стезне чауре
- C Легај водича
- D Постолје
- E Узорци шаблона
- F Обрадак
- G Помак

ГЛОДАЊЕ СЛОБОДНОМ РУКОМ

Многи ефекти се постижу слободном употребом глодалице са битом малог пречника. Обично мајстор оцрта контуре или испише натпис који жели на обратку и користи линије исписа као водич.

СЕРВИС И ГАРАНЦИЈА

Овај DREMEL производ поседује гаранцију у складу са одредбама прописаним законом/специфичним за земљу; оштећења услед нормалног коришћења и трошења, преоптерећења или непрописно коришћење искључени су из оквира гаранције.

У случају жалбе, пошаљите алат вашем продавачу у нерасклопљеном стању заједно са доказом о куповини.

КОНТАКТ DREMEL

За више информација о асортиману предузећа Dremel, подршки и телефонској линији, посетите www.dremel.com.

Dremel Europe, P.O. Box 3267, 4800 DG Breda, Холандија

SK

ВШЕОБЕЦНЕ БЕЗБЕДНОСТНЕ ПОКУНЫ



⚠ ВИСТРАНА ПРЕЧИТАЈТЕ СИ ВШЕТЕК ПОКУНЫ.

Неоддржање акéхоколкек з ннше иведених покунов мже заприичити ураэ електрикнм прудом, полар а лебо вжне зранене. Термин „електрички пристој“ во вшекек упозорениах иведених ннше са вжћаје к вшму електрикему пристоју напјанему зо сие (каблом).

ТИЕТО ПОКУНЫ СИ УСРОВАЈТЕ

ПРАЦОВИСКО


- a. Працовиско удржиаваје чистнм а добре освеленнм. *Неупраане а лебо слабо освелене миеста су частоу причиноу неход.*
- b. Непоуриаваје електрике пристоје во вбушннх овдушаах, теда в притомности хорвакнх квпалнн, пнлов а лебо прачу. *Електрике пристоје ввтвараја искры, коре а мжу спсобоит взнietenе прачу а лебо пар.*

- c. Покас прае с електрикнм настројом забранте пристоу деа а неповолаанх осб. *Акёхоколкек розптоване позорности мже виев к страе контролы над настројом.*

ЕЛЕКТРИКА БЕЗБЕДНОСТ

- a. Застрчки електрикнх пристојов musia здповедав засувокм. *Неробте на застрчке никды жиадне упры. Непоуриаваје адаптер застрчек с уземненнми електрикнми пристојми. Неуправене застрчки а засувкы знижујау ризику засиахнутия електрикнм прудом.*
- b. Забранте контакту тела с уземненнми поврхцими, ако је потрубие, радиаторы, споракы а лебо хладнички. *Звышене ризику урау електрикнм прудом је в prípade, же је ваше тело уземнене.*
- c. Неувтаваје електрике пристоје дажду ани влхку. *Вникнутие вды до електрикне пристоја звыши ризику урау електрикнм прудом.*
- d. Непоуриаваје кабел на ине учёлы, неж на коре је урченн. *Никды помочоу кабла неносте, нећагаје електрикы пристој ани хо неывћагаје зо засувкы. Укладаје кабел мимо здроја тепа, олеја, острнх окрајов а похыблнвнх предметов. Пошкодене а лебо розплетене кабел звышае ризику урау електрикнм прудом.*
- e. При онкајшом поуриу електрикне пристоја поурие преджоваци кабел вгоднн на онкајше поуриуе. *Поуриуе кабла вгоднего на онкајше поуриуе знижује ризику урау електрикнм прудом.*
- f. Ак са неды ввннуи поуриуу ручнего електрикне нариады во влхком просреди, поурие прерушоваэ уземновачие обводу. *Поуриавање прерушовача уземновачиего обводу знижује ризику засаху електрикнм прудом.*

ОСОБНА БЕЗБЕДНОСТ

- a. Покас манипулацие с електрикнм настројом будте позорни, сусредте са на обрабанн предмет а поуриаваје здравы усдок. *Електрикы настрој непоуриаваје, ак сте навенн а лебо под вplyвом дрог, алкохолу чи лиеков. Ај кратка хвила непозорности покс манипулацие с електрикнм настројом мже спсобоит вжне поранение.*
- b.  При праи поуриаваје охранные працовне помсочки. Вды поуриаваје охранию очн. *Поуриавање вгодннх охранных помсочок, акнми су наприклад протипрачоваа маска, безбедностна протншнмывкова обув, охранныя прилаба чи охрана слуху, знижује ризику поранения.*
- c. Забранте находнему спустению. Пред припоением са уистите, чи је выпначн в позиции Off (Впннуте). *Пренашание електрикне пристоја с прстом на выпначи а лебо припјаание електрикне пристоја с выпначом в полохе On (Запнуте) је частоу причиноу неход.*
- d. Пред запнутнм електрикне пристоја вберте припадны наставоваци кльч а лебо францускы кльч. *Францускы кльч а лебо наставоваци кльч понечанн на отокей части мже спсобоит вжне зранения.*
- e. Непоуриаваје пристој прлиш висло. Покас прае вды удржиаваје стабилне држание тела а равновху. *Тнм са zabezpeчи lepsia kontrola nad naстројом в prípade неочакваннх удалостн.*
- f. Поуриаваје вгодне облечение. Неносте вофне облечение ани шперкы. *Власы, облечение а рукавие удржиаваје в безбеднеј vzdialености од похыблнвнх части. Вофне облечение, шперкы а лебо длне власы са мжу зачйтии до похыблнвнх части.*
- g. Ак су к диспозицил зariadenia на припоение помсочок на одсавание а лебо збер прачу, заистите их припоение а справне поуриуе. *Поуриуе тнхтоу зariadenie мже знижити ризику спсоене с прахом.*
- h. **Непрацује с материалими obsahujцими азбест** (азбест је поважованн за карциногенны).
- i. **Чраите са проти прачу, котры мже зникати покс прае а мже быт здравнм шкдливым, вбушннм а лебо хорвакнм** (некотре друху прачу су поважоване за карциногенне); поуриаваје протипрачоваа маску а в prípade поуриуености припоете одсавач прачу/уломок.

POUŽÍVANIE A ÚDRŽBA PRÍSTROJA

- Nepoužívajte elektrický prístroj na iné účely, než na ktoré je určený. Používajte elektrický prístroj zodpovedajúci vašej činnosti. *Správny elektrický prístroj umožní vykonať prácu lepšie a bezpečnejšie pri rýchlosti, na ktorú bol navrhnutý.*
- Nepoužívajte elektrický prístroj, ak nefunguje vypínač. *Elektrický prístroj, ktorý nemožno ovládať pomocou vypínača, je nebezpečný a je ho potrebné opraviť.*
- Vypojte napájací kábel z elektrickej siete, skôr než budete vykonávať akékoľvek nastavenie, meniť pomôcky a predtým, ako elektrický prístroj uložíte. *Tieto preventívne opatrenia znižujú riziko náhodného spustenia elektrického prístroja.*
- Ukladajte prístroje mimo dosahu detí a neumožnite osobám, ktoré nie sú zoznamené s elektrickým prístrojom a týmito pokynmi, používať tento prístroj. *Elektrické prístroje sú v rukách nezaškolených používateľov nebezpečné.*
- Udržujte elektrické prístroje. Skontrolujte nesprávne vyrovnanie alebo upevnenie pohyblivých častí, poškodenie častí alebo akýkoľvek iný stav, ktorý môže ovplyvniť fungovanie elektrických prístrojov. Ak je elektrický prístroj poškodený, pred použitím ho opravte. *Mnoho nehôd je spôsobených nedostatočnou údržbou elektrických prístrojov.*
- Rezacie nástroje udržiavajte ostré a čisté. *Správne udržiavané rezacie nástroje s ostrými rezacími okrajmi majú menšiu tendenciu sa zaseknúť a možno ich jednoducho ovládať.*
- Používajte elektrický prístroj, ochranné pomôcky, bity a ďalšie pomôcky podľa týchto pokynov a spôsobom, ktorý zodpovedá príslušnému typu elektrického prístroja, pri zohľadnení pracovných podmienok a vykonávanej práci. *Použitie elektrického prístroja na iné operácie, než na aké je prístroj určený, môže mať za následok nebezpečné situácie.*

SERVIS

- V prípade potreby elektrický prístroj odovzdajte do opravy kvalifikovanému odborníkovi. Je nevyhnutné používať len identické náhradné súčiastky. *Len tak sa zabezpečí bezpečnosť ďalšieho používania nástroja.*

BEZPEČNOSTNÉ POKYNY PRE HORNÉ FRÉZY

VŠEOBECNE

- Tento nástroj by nemali používať osoby mladšie ako 16 rokov.
- Pri nastavovaní alebo výmene príslušenstva vždy vytiahnite prírodný kábel zo zásuvky.

PRÍSLUŠENSTVO

- Používajte iba príslušenstvo, u ktorého hodnota prípustných obrátok zodpovedá minimálne najvyšším obrátkam náradia.
- Nepoužívajte poškodené alebo deformované frézovalacie hroty.
- Používajte len ostré frézovalacie hroty.
- Chránite kotúče pred nárazom, otrasom a masťotou.

PRED POUŽITÍM

- Zabránite poškodeniu náradia skrutkami, klincami a inými kovovými predmetmi v obrobku; zoberte ich dole prv než začnete pracovať.
- Vždy skontrolujte či je napätie elektrického prúdu rovnaké ako napätie na štítiku nástroja (nástroj s menovaným napätím 230V alebo 240V sa môže napojiť aj na 220V-ový prúd).
- V prípade, že kusy, s ktorými budete pracovať neostanú stáť svojou vlastnou váhou, tak ich upevnite.

- Prach z materiálu, akým je náter obsahujúci olovo, niektoré druhy dreva, minerály a kovy môže byť škodlivý (styk alebo nadychanie prachu môže spôsobiť alergické reakcie a/alebo respiračné ochorenia obsluhu a okolostojacich osôb); používajte ochrannú masku tváre a pracujte so zariadením na odsávanie prachu, ak je takéto zariadenie možné pripojiť.
- Dodržujte stanovené nariadenia pre prácu v prašnom prostredí.
- Pri zapínaní do zástrčky sa vždy uistite, že nástroj je vypnutý.

POČAS PRÁCE

- Elektrický šnúru udržiavajte vždy mimo pohyblivých častí nástroja; elektrický šnúru vždy smerujte dozadu, mimo nástroja.
- Nikdy nepoužívajte nástroj ak je šnúra alebo doska základne (= ochranná doska) poškodená, dajte si poškodenú časť vymeniť kvalifikovanou osobou.
- Keď je nástroj zapnutý, dajte pozor aby ste nemali ruky v blízkosti frézovalacieho hrotu.
- V prípade elektrickej alebo mechanickej poruchy zastavte okamžite nástroj a vytiahnite zástrčku z nástennej zásuvky.
- Nástroj musíte ihneď vypnúť ak sa nehybe hladko lebo je frézovalací hrot zablokovaný.
- V prípade prerušenej dodávky prúdu alebo náhodného odpojenia z elektrickej siete hneď okamžite vypnite nástroj, aby sa predišlo náhodnému zapnutiu.
- Na nástroj nevyvíjajte taký tlak, ktorý spôsobí jeho zastavenie.

ŽIVOTNÉ PROSTREDIE

LIKVIDÁCIA

Prístroj, jeho príslušenstvo aj obal je potrebné recyklovať v súlade s princípmi ochrany životného prostredia.

IBA PRE KRAJINY ES



Nevhadzujte elektrické prístroje do domového odpadu! Podľa európskej smernice 2002/96/ES o odpade z elektrických a elektronických zariadení a jej implementácie do národných právnych predpisov sa vyradené elektrické náradie musí zhromažďovať samostatne a likvidovať spôsobom šetrným k životnému prostrediu.

RADU NA POUŽITIE

- Používajte vhodný frézovalací hrot.
- Na rezanie v paralelnom smere ako je strana opracovaného kusu použite ohradu na rezanie.
- Na rezanie v paralelnom smere v opracovanom kuse ďaleko od hrany:
 - privepnite rovný kus dreva dvomi svorkami na opracovaný kus.
 - usmernite nástroj so základnou doskou tak aby kryla hranu dreva, ktoré teraz slúži ako ohrada.
- Chránite sa pred účinkami vibrácií tak, že budete náradie a jeho príslušenstvo správne udržiavať, tak že nebudete pracovať so studenými rukami a tak že si svoje pracovné postupy správne zorganizujete.

OVLÁDANIE

Pozrite obrázok 1:

- A** Mikronáradie Dremel
- B** Ovládanie rýchlosti
- C** Montážny kľúč a úložný priestor
- D** Rukoväť (otočením uzamknite)
- E** Úložný priestor pre kľúč na matice upínacej vložky (kľúč nie je súčasťou balenia)

- F Hĺbkomer (britský/metrický systém)
- G Vodidlo okraja
- H Kruhové vodidlo
- I Tlačidlo zámku hriadeľa
- J Rukoväť (stacionárna)
- K Spodná matica nastavenia
- L Zablockovanie hĺbky
- M Horná matica nastavenia
- N Tlačidlo pre uvoľnenie

MONTÁŽ

MONTÁŽ NÁSTAVCA PRÍRUČNEJ FRÉZOVAČKY K NÁSTROJU

NÁSTAVEC JE URČENÝ NA POUŽITIE S MIKRONÁRADÍM DREMEL MODEL 300, 395, 398, 400, 4000.

▲ VÝSTRAHA Pred výmenou príslušenstva a úpravami nastavcov odpojte zariadenie od zdroja napájania. Tieto preventívne opatrenia znižujú riziko náhodného spustenia zariadenia.

1. Odstráňte maticu upínacej vložky, potom odstráňte z mikronáradia ochranný kryt a odložte ho (obr. 2). Keď zariadenie prestanete používať, vráťte ochranný kryt späť na miesto. Po odstránení ochranného krytu znovu pripojte maticu upínacej vložky.

Pozrite obrázok 2:

A Ochranný kryt

2. Umiestnite mikronáradie do príručnej frézovačky tak, aby tlačidlo zámku hriadeľa smerovalo vpred, ako je to zobrazené na obrázku (obr. 3).
3. Naskrutkujte montážnu maticu v smere hodinových ručičiek na časť mikronáradia so závitmi a pevne ju utiahnite pomocou príloženého montážneho kľúča.

Pozrite obrázok 3:

- A** Montážny kľúč
- B** Montážna matica
- C** Tlačidlo zámku hriadeľa

NÁVOD NA POUŽITIE

UPOZORNENIE: Pomocou tohto nástavca môžete zmeniť mikronáradie Dremel na príručnú frézovačku, ktorú môžete použiť na voľné frézovanie, rezanie okrajov, drážkovanie a vyrezávanie kriviek.

Nástavec frézovačky sa dodáva v zostave pre voľné frézovanie alebo frézovanie s vedeným profilovým nožom.

Pravidelným čistením a mazaním stĺpov vodidiel zaistíte bezproblémovú funkciu frézovačky. Zatláčte a uzamknite príručnú frézovačku a potom rovnomerne aplikujte jemný lubrikant (kozmetickú vazelinu alebo kuchynský olej) na hornú časť stĺpov vodidiel.

▲ VÝSTRAHA Tento frézovací nástavec nie je určený na použitie pod stolnou frézovačkou ani stolnou pilou.

Špecifikácia príslušenstva

Pozrite obrázok 4A.

VLOŽENIE PROFILOVÉHO NOŽA FRÉZOVAČKY

Profilové nože sú uchytené na mieste pomocou systému upínacej vložky. **Profilový nôž môžete nainštalovať pred alebo po pripojení mikronáradia k nástavcu.**

1. Stlačte a podržte tlačidlo zámku hriadeľa a zároveň otočte maticu upínacej vložky a hriadeľ. Otáčajte maticu upínacej vložky a hriadeľ, kým zámok nezapadne a neupevní hriadeľ (obr. 4).
2. Pomocou kľúča mikronáradia Dremel otočte maticu upínacej vložky proti smeru hodinových ručičiek a uvoľnite ju.
3. Uvoľnite tlačidlo zámku hriadeľa.
4. Vložte profilový nôž frézovačky čo najhlbšie do upínacej vložky, čím zaistíte správne uchytenie profilového noža a minimalizujete riziko uvoľnenia. Nevkladajte nôž príliš hlboko, aby sa vrúbky noža nedotkli matice upínacej vložky ani samotnej upínacej vložky, aby ste predišli poškodeniu alebo naštiepeniu noža.
POZNÁMKA: Nikdy nepokladajte nástroj s nožom trčiacim z podstavca na lavicu alebo pracovný povrch. Položte nástroj na bok alebo pred odložením nástroja nôž zatiahnite. Trčiaci nôž môže spôsobiť pohyb nástroja.
5. Znovu stlačte tlačidlo zámku hriadeľa a utiahnite maticu upínacej vložky; najprv ručne a potom pomocou kľúča, až kým nebude matica úplne utiahnutá.

Pozrite obrázok 4B:

- A** Kľúč na maticu upínacej vložky
- B** Podstavec
- C** Matica upínacej vložky
- D** Tlačidlo zámku hriadeľa

ÚPRAVA HĽBKY REZU

POZNÁMKA: Pri vykonávaní hlbokých rezov, zvlášť pri frézovaní smerom od hrany obrobru, odporúčame vykonať viacero postupných rezov, pričom pre každý ďalší rez nastavíte pomocou hĺbkomeru a nastavenia hĺbky rezu väčšiu hĺbku, než jeden hlboký rez. Obmedzenie hĺbky môžete nastaviť na dve hodnoty hĺbky.

1. Umiestnite mikronáradie Dremel a frézovačku na obrobru.
2. Otočte hornú maticu nastavenia smerom hore a dolnú maticu nastavenia smerom dole, čím umožníte voľný pohyb zablockovania hĺbky (obr. 5).

Pozrite obrázok 5:

- A** Zablockovanie hĺbky
- B** Horná matica nastavenia
- C** Spodná matica nastavenia

3. Uvoľnite zámok rukoväte (obr. 6). Pomaly pohybujte nástrojom nižšie, kým sa nôž frézovačky nedotkne obrobru.

Pozrite obrázok 6:

- A** Rukoväť
- B** Tlačidlo uvoľnenia

4. Utiahnite zámok rukoväte a upevnite nástroj na mieste.
5. Stlačte a podržte tlačidlo uvoľnenia, kým sa zablockovanie hĺbky nedotkne podstavca frézovačky.

1. hĺbka frézovania

6. Otočte zablockovanie hĺbky smerom hore tak, aby sa hodnota X rovnala hodnote prvej požadovanej hĺbky frézovania (obr. 7).

POZNÁMKA: 1 otočenie zodpovedá 1,5 mm (0,06 palca)

Pozrite obrázok 7:

- A** Zablockovanie hĺbky
- B** Horná matica nastavenia

7. Otočte hornú maticu nastavenia smerom dole tesne k rámu frézovačky.

2. hĺbka frézovania

8. Otočte zablockovanie hĺbky smerom hore tak, aby sa hodnota X rovnala hodnote druhej požadovanej hĺbky frézovania. Uistite sa,

že sa horná matica nastavenia otáča zároveň so zablokovaním hĺbky tak, že sa vzdialí od rámu frézovačky (obr. 8).

Pozrite obrázok 8:

- A Zablokovanie hĺbky
- B Spodná matica nastavenia

- 9. Otočte spodnú maticu nastavenia smerom hore tesne k rámu frézovačky.

POZNÁMKA: Pri uťahovaní spodnej matice nastavenia nesmie dôjsť k pohybu hornej matice nastavenia.

- 10. Stlačením tlačidla uvoľnenia vyberte 1. alebo 2. hĺbku frézovania (obr. 9).

POZNÁMKA: Nastavenie oboch hĺbok frézovania vyskúšajte na skúšobnom reze. V prípade potreby nastavenie upravte.

Pozrite obrázok 9:

- A Tlačidlo uvoľnenia

Po dokončení frézovania uvoľnite rukoväť a vráťte frézovačku do hornej polohy.

POHYB FRÉZOVAČKY PO OBROBKU

Ak sa frézovačka ťažko ovláda, zahrieva sa, pracuje veľmi pomaly alebo zanecháva nedokonalý rez, môže to byť spôsobené nasledujúcimi príčinami:

- Nesprávny smer pohybu – problematické ovládanie.
- Príliš rýchly pohyb – preťaženie motora.
- Tupý nôž – preťaženie motora.
- Vykonnárate naraz príliš veľký rez – preťaženie motora.
- Príliš pomalý pohyb – nežiaduce stopy spálenia na obrobku.

Pohybujte nástrojom rovnomerne a plynulo (nepoužívajte násilie). Po určitej dobe sami zistíte, aký vydáva frézovačka zvuk a ako sa ovláda pri optimálnej rýchlosti.

Rýchlosť pohybu

Pri frézovaní alebo podobnej práci s drevom alebo plastom dosiahnete najlepšie výsledky, ak budete upravovať hĺbku rezu a rýchlosť pohybu tak, aby motor pracoval vo vysokých otáčkach.

Pohybujte frézovačkou stredne rýchlo. Mäkké materiály vyžadujú rýchlejší pohyb než tvrdé materiály.

Ak používate frézovačku nesprávnym spôsobom alebo ak sa preťaží motor, frézovačka sa môže zastaviť. Spomaľte, aby ste predišli poškodeniu nástroja. Pred použitím sa vždy uistite, že je matica upínacej vložky pevne utiahnutá. Vždy použite na vykonanie rezu nôž s čo najmenšou vhodnou dĺžkou. Tým minimalizujete vibrácie a nežiaduce vysušenie noža.

Tvarovanie okrajov

Pri tvarovaní okrajov používajte vždy nože s vodidlom alebo ložiskom. Spodnú časť noža s vodidlom tvorí hriadeľ bez ostria. Nože s ložiskom používajú na vedenie noža guľkové ložisko.

Nôž kľže pozdĺž okraja obrobku a rotujúce čepele vykonávajú rez a vrezávajú ozdobné okraje. Okraj, pozdĺž ktorého nôž kľže, by mal byť úplne hladký. Akékoľvek nepravidelnosti sa prenesú na tvarovaný povrch.

Ak frézujete obrobok, na ktorom potrebujete vytvárať okraje na hrubej štruktúre dreva na priečnom reze, vždy najprv vyfrézujte okraj priečného rezu, než budete pokračovať na okrajoch, ktoré nasledujú po priečnom reze. Tým minimalizujete riziko poškodenia nástroja odpadom na konci priečného rezu.

Smer pohybu frézovačky

Hriadeľ frézovačky sa pri pohľade zhora pohybuje v smere hodinových ručičiek. Ak chcete dosiahnuť najlepšie ovládanie nástroja a kvalitu rezu, zarežte do obrobku v takom smere, aby sa nôž svojím pohybom zakusoval do dreva. Pri nesprávnom smere pohybu sa nôž bude svojím pohybom z dreva vyťahovať.

Pohybujte nástrojom v zobrazenom smere. Ak orezávate okraj štvorcového obrobku, pohybujte nástrojom proti smeru hodinových ručičiek. Ak frézujete vnútorný povrch, ako je to zobrazené na obrázku, pohybujte nástrojom v smere hodinových ručičiek (obr. 10).

POZNÁMKA: Smer pohybu je veľmi dôležitý, ak používate voľné frézovanie s nožom s vodidlom na okraji obrobku.

Pozrite obrázok 10:

- A Smer pohybu frézovačky
- B Frézovanie priečného rezu ako prvého
- C Rotácia noža

MONTÁŽ VODIDLA OKRAJA

Ak chcete použiť vodidlo okraja, vložte tyče vodidla do držiaku nástroja a upevnite ich pomocou (2) štvorhranných matíc č. 10 – 24 a (2) skrutiek tyčí vodidla (obr. 11).

Štvorcové matice zapadnú do otvorov nad tyčami vodidla. Skrutky tyčí vodidla vložte z hornej strany do otvorov smerom dole tak, aby prešli maticami a zaistili tyče. Upevnite vodidlo okraja k tyčiam vodidla pomocou skrutiek vodidla okraja a matíc so šesťhrannou hlavou.

Vyhľadajte pod vodidlom okraja matice so šesťhrannou hlavou a upevnite ich na hornú stranu povrchu vodidla okraja pomocou skrutiek vodidla okraja. Vsuňte zostavu vodidla okraja na tyče vodidla tak, ako to je na obrázku. Nastavte požadovanú vzdialenosť vodidla okraja od noža a utiahnite skrutky vodidla okraja. (Pozrite obr. 11)

Vodidlo okraja sa používa na tvarovanie okrajov a rezanie poldrážok, drážok, obložení, pier, rýh, otvorov a skosení. Nezabudnite vložiť nástroj do obrobku tak, aby nôž ťahal vodidlo okraja proti drevu. Rovnomerná rýchlosť pohybu vedie k hladkému rezu.

Ak chcete vytvoriť hlbokú rýhu, použite niekoľko plytších rezov. Maximálna hĺbka rezu sa líši podľa použitého materiálu. Nepohybujte nástrojom príliš rýchlo, aby sa činnosť motora badateľne nespomalila.

Pozrite obrázok 11:

- A Skrutka nastavenia hĺbky
- B Skrutka tyče vodidla
- C Štvorhranné matice
- D Tyče vodidla
- E Vodidlo okraja
- F Klinec
- G Kruhovité vodidlo
- H Skrutky so šesťhrannou hlavou
- I Skrutky vodidla okraja

VODIDLO OKRAJA

Inštalácia

- 1. Nainštalujte vodidlo okraja na montážne bloky príručnej frézovačky (obr. 12).

Pozrite obrázok 12:

- A Montážne bloky
- B Vodidlo okraja

- 2. Umiestnite rovnožeňné vodidlo na povrch obrobku tak, aby bol nôž frézovačky v požadovanej polohe.
- 3. Uťahujte skrutky.

Frézovanie s vodidlom okraja

Posuňte plochú stranu vodidla okraja k povrchu obrobku.

KRUHOVÉ VODIDLO

Frézovanie oblúkov a kruhov

1. Odstráňte vodidlo okraja a pripevnite k tyčiam vodidla svorku kruhového vodidla (obr. 13).

Pozrite obrázok 13:

- A Klínc
- B Vodidlo okraja

2. Použite priložený klínc ako orientačný bod. Nastavte na kruhovom vodidle požadovaný polomer.
3. Vložte klínc do otvoru vo vodidle a umiestnite ho do stredu požadovaného polomeru, ktorý chcete vyfrézovať.

ŠABLÓNY

Pomocou šablón môžete opakovane vyfrézovať rovnaké vzory alebo písmená. Táto technika vyžaduje použitie vodiaceho púzdra .

VODIACE PÚZDRA

Zobrazené vodiace púzdro (obr. 14) je v podstate doska s obručou, ktorá sa vkladá do otvoru v podstavci tak, ako je to znázornené na obrázku. Toto púzdro je upevnené na mieste pomocou zátky púzdra, ktorá sa do púzdra vkladá z hornej strany. Vodiace púzdro sa pohybuje po okraji šablóny a nôž frézovačky vykonáva potrebné rezy v obrobnku.

Pozrite obrázok 14:

- A Zátka vodiaceho púzdra
- B Vodiace púzdro
- C Podstavec

UPOZORNENIE: Skontrolujte, že je hrúbka šablóny rovnaká alebo väčšia ako dĺžka časti púzdra, ktorá vyčnieva z podstavca smerom dolu. Nepoužívajte nôž, ktorý by sa mohol dotýkať vnútornej časti obruče. Vyberte nôž, ktorý má v priemere minimálne o 2 mm menej. Môžete tiež jednoducho pripraviť zvláštne šablóny na frézovanie často používaných vzorov, zvláštnych dizajnov, ozdôb a iných aplikácií. Vzor šablóny môžete vytvoriť z preglejky, lisovanej drevotriesky, kovu alebo dokonca plastu. Vyrezať ho môžete pomocou frézovačky, priamočiarej píly alebo iného vhodného nástroja.

Nezabudnite, že pri príprave vzoru musíte počítať s kompenzáciou vzdialenosti medzi nožom frézovačky a vodiacim púzdrom (tzv. „odsadenie“). Konečný obrobok sa bude kvôli polohe noža o túto vzdialenosť líšiť od vzoru šablóny.

Pozrite obr. 15:

- A Nôž frézovačky
- B Matica upínacej vložky
- C Vodiace púzdro
- D Podstavec
- E Vzor šablóny
- F Obrobok
- G Odsadenie

VOLNÉ FRÉZOVANIE

Mnoho efektov môžete dosiahnuť pri voľnom frézovaní s nožom s malým priemerom. Používateľ nástroja si obvyčajne nakreslí ceruzkou obrys požadovaného výsledku na obrobok a potom používa nákras ako vodidlo.

SERVISNÉ A ZÁRUČNÉ PODMIENKY

Tento výrobok spoločnosti DREMEL podlieha záručným podmienkam v súlade s legislatívnymi ustanoveniami príslušnej krajiny; záruke

nepodlieha bežné opotrebovanie nástroja ani poškodenia spôsobené jeho preťažením či nesprávnou manipuláciou.

V prípade reklamácie nástroj odošlite v *nerozobratom* stave spolu s potvrdením o jeho zakúpení na adresu predajcu.

ADRESA SPOLOČNOSTI DREMEL

Blížšie informácie o výrobkoch, podpore a službách spoločnosti Dremel nájdete na webovej adrese www.dremel.com.

Dremel Europe, P.O. Box 3267, 4800 DG Breda, Holandsko

ТАШЕВ-ГАЛВИНГ ООД
www.tashev-galving.com

Dremel Europe
The Netherlands